

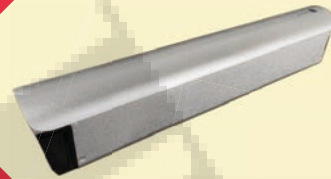
PORTAPOWER

Energy Solution Provider

PORTAPOWER

2022 Products Catalog

2022 Products Catalog



eRider
eBike Systems

SMART TOUCH



Efficiency

Save your time to press the battery button



Power Saving

Sleep mode power consumption is closest to zero



Systems Integration

Three-way communication by display, battery and controller



1

Touch



2

Power On



3

Ready To Go



www.eRider.com
CONTACT US TO FIND OUT MORE



ABOUT US

PortaPower was reorganized in 1995 from the former Megasonic (founded in 1991).

PortaPower is an experienced and reputable manufacturer and exporter of Li-ion, Li-Polymer, Ni-Cd and Ni-MH rechargeable battery packs and related products. **PortaPower** provides total energy solution for local and overseas OEM/ODM customers on all rechargeable battery packs of different chemistries.

PortaPower operates state-of-the-art manufacturing facilities based in China. These are the edges of our OEM/ODM business.

With strictest quality assurance policy, **PortaPower** ensures the highest standard in all production stages, offering high-quality battery products, with a focused goal of helping and reserving customers' request. To conclude, **PortaPower** is committed to offering innovative batteries and energy solutions that would provide profitable and value-added service of the highest quality to its customers.

To further enhance our quality service, **PortaPower** now provides a **2-Year warranty** to all of our products.





After-sales Service Center in Germany

We believe client satisfaction comes not only from quality products but also our commitment to bring confidence to both before and after sales. Therefore, a service center has been set up in Berlin to provide our client with the most timely and efficient technical support.



MEET **U** NEEDS



A
Battery Pack
Wolf II
YL-THL2



36V 20Ah

B
Torque Sensor
ERS-T10



C
Display Meter
BMS2298



D
Controller
ERC-A



36V

E
Rear Motor
RM3104KCB.325



250W



A
Eagle II
YL-THY2
(In-frame)

C
BMS2353

D
ERC-A (Built-in)

B
ERS-T15

E
RM3104SCB.325

A
Battery Pack
Eagle II
YL-THY2

B
Torque Sensor
ERS-T15

C
Display Meter
BMS2353

D
Controller
ERC-A

E
Rear Motor
RM3104SCB.325



36V 14Ah



36V



250W



A
Grasshopper I
YL-DCM1
(Down Tube)

C
BMS2008

B
ERS-ES01

D
ERC-D (Built-in)

E
RM3104SCB.325

A
Battery Pack
Grasshopper I
YL-DCM1



36V 17.5Ah

B
Speed Sensor
ERS-ES01



C
Display Meter
BMS2008



D
Controller
ERC-D



36V

E
Rear Motor
RM3104SCB.325



250W



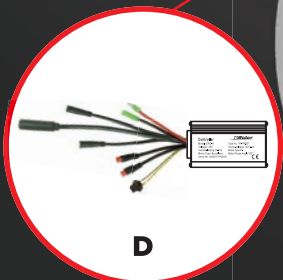
A
Lightning II
YL-CSD2
(Rear Carrier)



B
ERS-S02



C
BMS2008



D
ERC-A (Built-in)



E
FM3104XCB.325

A
Battery Pack
Lightning II
YL-CSD2



36V 14Ah

B
Speed Sensor
ERS-S02



C
Display Meter
BMS2008



D
Controller
ERC-A



36V

E
Front Motor
FM3104XCB.325



250W

CONTENTS

25 *Electric Bicycle Battery Types*

125 *Battery Charger*

136 *Electric Wheelchair Battery Types*

140 *Equipment*

143 *Battery Case Accessories*

146 *Battery Cells*

**Electric Bicycle
Battery Types**

***In-frame
Battery Packs***



***Down Tube
Battery Packs***



***Rear Carrier
Battery Packs***



***Multi-fit
Battery Packs***



***Seat Post
Battery Packs***



***Water Bottle
Battery Packs***



Certificates:

CE

ROHS

REACH

IEC62133

MSDS & UN38.3

EN ISO 13849-1:2015

In-frame 車管



Black Warrior series
玄武系列

Black Warrior I YL-TXW1 玄武一號
Black Warrior II YL-TXW2 玄武二號

P76
P77



Dragon series
神龍系列

Dragon I YL-TSL1 神龍一號
Dragon II YL-TSL2 神龍二號
Dragon III YL-TSL3 神龍三號
Dragon IV YL-TSL4 神龍四號

P62
P63
P63
P64



Electric Eel series
電鰻系列

Electric Eel I YL-TDM1 電鰻一號
Electric Eel II YL-TDM2 電鰻二號
Electric Eel A YL-TDMA 電鰻A
Electric Eel B YL-TDMB 電鰻B

P30
P30
P31
P31



Eagle series
黑鷹系列

Eagle I YL-THY1 黑鷹一號
Eagle II YL-THY2 黑鷹二號

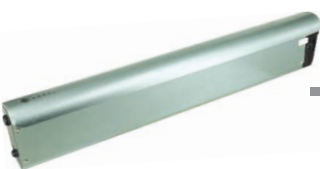
P39
P40



Lion series
雄獅系列

Lion I YL-TXS1 雄獅一號

P76



Phoenix series
鳳凰系列

Phoenix I YL-TFH1 鳳凰一號
Phoenix II YL-TFH2 鳳凰二號

P32
P32

In-frame 車管



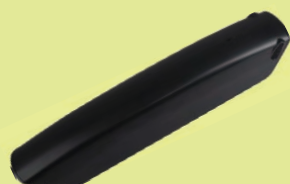
Pacific series
太平洋系列

| | | | |
|-------------|---------|-------|-----|
| Pacific I | YL-TTP1 | 太平洋一號 | P68 |
| Pacific II | YL-TTP2 | 太平洋二號 | P68 |
| Pacific III | YL-TTP3 | 太平洋三號 | P69 |
| Pacific IV | YL-TTP4 | 太平洋四號 | P69 |
| Pacific B | YL-TTPB | 太平洋B | P70 |
| Pacific C | YL-TTPC | 太平洋C | P70 |
| Pacific L | YL-TTPL | 太平洋L | P71 |
| Pacific M | YL-TTPM | 太平洋M | P71 |
| Pacific N | YL-TTPN | 太平洋N | P72 |



Panther series
黑豹系列

| | | | |
|-----------|---------|------|-----|
| Panther I | YL-THB1 | 黑豹一號 | P35 |
|-----------|---------|------|-----|



Razer series
雷蛇系列

| | | | |
|---------|---------|------|-----|
| Razer I | YL-TLS1 | 雷蛇一號 | P49 |
|---------|---------|------|-----|



Rosefinch series
朱雀系列

| | | | |
|---------------|---------|------|-----|
| Rosefinch I | YL-TZQ1 | 朱雀一號 | P78 |
| Rosefinch II | YL-TZQ2 | 朱雀二號 | P78 |
| Rosefinch III | YL-TZQ3 | 朱雀三號 | P79 |



Sword series
寶劍系列

| | | | |
|----------|---------|------|-----|
| Sword I | YL-TBJ1 | 寶劍一號 | P25 |
| Sword II | YL-TBJ2 | 寶劍二號 | P26 |



Unicorn series
獨角獸系列

| | | | |
|-------------|---------|-------|-----|
| Unicorn I | YL-TDJ1 | 獨角獸一號 | P28 |
| Unicorn II | YL-TDJ2 | 獨角獸二號 | P28 |
| Unicorn III | YL-TDJ3 | 獨角獸三號 | P29 |
| Unicorn IV | YL-TDJ4 | 獨角獸四號 | P29 |

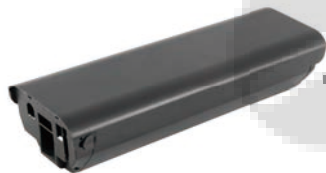
In-frame 車管



White Tiger series
白虎系列

White Tiger I YL-TBH1 白虎一號

P25



Wolf series
灰狼系列

Wolf I YL-THL1 灰狼一號
Wolf II YL-THL2 灰狼二號

P36
P36



Blade series
獵刀系列

Blade I SS-TLR1 獵刀一號

P48



Changlong series
長龍系列

Changlong I SS-TCL1 長龍一號

P27



Dual Loong series
雙龍系列

Dual Loong I SS-TSL1 雙龍一號

P62




Expedition series
長征系列


Expedition I SS-TCZ1 長征一號

P27

In-frame 車管



| | | |
|-------------------------|---------------------------|-----|
| Fengtian series 豐田系列 | Fengtian I SS-TFT1 豐田一號 | P33 |
| | Fengtian II SS-TFT2 豐田二號 | P33 |
| | Fengtian III SS-TFT3 豐田三號 | P34 |
| | Fengtian IV SS-TFT4 豐田四號 | P34 |




| | | |
|---------------------------|----------------------------|-----|
| Huge Loong series 巨龍系列 | Huge Loong I SS-TJL1 巨龍一號 | P41 |
| | Huge Loong II SS-TJL2 巨龍二號 | P42 |




| | | |
|-----------------------|-----------------------|-----|
| Lushan series 廬山系列 | Lushan I SS-TLB1 廬山一號 | P47 |
|-----------------------|-----------------------|-----|



| | | |
|-----------------------|------------------------|-----|
| Nanhai series 南海系列 | Nanhai I SS-TNH1 南海一號 | P52 |
| | Nanhai II SS-TNH2 南海二號 | P52 |




| | | |
|-------------------------|--------------------------|-----|
| Sea Lion series 海獅系列 | Sea Lion I SS-THS1 海獅一號 | P37 |
| | Sea Lion II SS-THS2 海獅二號 | P37 |




| | | |
|-----------------------------|-------------------------|-----|
| Sea Moon-F series 海月-F系列 | Sea Moon-F SS-THA1 海月-F | P38 |
|-----------------------------|-------------------------|-----|

In-frame 車管



South Pacific series
南洋系列

| | | | |
|----------------------|-----------|----------|-----|
| South Pacific I | SS-TNY1 | 南洋一號 | P53 |
| South Pacific II | SS-TNY2 | 南洋二號 | P53 |
| South Pacific III | SS-TNY3 | 南洋三號加厚 | P54 |
| South Pacific III | SS-TNY3HL | 南洋三號雙層 | P54 |
| South Pacific III | SS-TNY3H | 南洋三號雙層 | P55 |
| South Pacific III | SS-TNY3HS | 南洋三號雙層 | P55 |
| South Pacific IV | SS-TNY4 | 南洋四號 | P56 |
| South Pacific IV Pro | SS-TNY4P | 南洋四號 Pro | P56 |
| South Pacific IV Pro | SS-TNY4L | 南洋四號 Pro | P57 |



Sony series
索尼系列

| | | | |
|---------|---------|------|-----|
| Sony I | SS-TSN1 | 索尼一號 | P64 |
| Sony II | SS-TSN2 | 索尼二號 | P66 |



Coral series
珊瑚系列

| | | | |
|-----------|---------|------|-----|
| Coral I | RE-TSH1 | 珊瑚一號 | P60 |
| Coral II | RE-TSH2 | 珊瑚二號 | P61 |
| Coral III | RE-TSH3 | 珊瑚三號 | P61 |




Dorado series
劍魚系列

| | | | |
|--------------|---------|----------|-----|
| Dorado Mini1 | RE-TJY1 | 劍魚Mini 1 | P42 |
| Dorado Mini2 | RE-TJY2 | 劍魚Mini 2 | P43 |
| Dorado Pro3 | RE-TJY3 | 劍魚Pro 3 | P43 |
| Dorado Pro4 | RE-TJY4 | 劍魚Pro 4 | P44 |
| Dorado Plus5 | RE-TJY5 | 劍魚Plus 5 | P44 |
| Dorado Plus6 | RE-TJY6 | 劍魚Plus 6 | P45 |
| Dorado Max7 | RE-TJY7 | 劍魚Max 7 | P45 |
| Dorado Max8 | RE-TJY8 | 劍魚Max 8 | P46 |



Dragonfly series
蜻蜓系列

| | | | |
|---------------|---------|------|-----|
| Dragonfly II | RE-TQT1 | 蜻蜓二號 | P59 |
| Dragonfly III | RE-TQT2 | 蜻蜓三號 | P59 |
| Dragonfly IV | RE-TQT2 | 蜻蜓四號 | P60 |



Edge series
利刃系列

| | | | |
|--------|---------|------|-----|
| Edge I | RE-TLR1 | 利刃一號 | P47 |
|--------|---------|------|-----|

In-frame 車管



EEL series
鰻魚系列

| | | | |
|-------------|----------|-----------|-----|
| EEL-Pro I | RE-TMY1P | 鰻魚Pro 1 | P49 |
| EEL-Pro II | RE-TMY2P | 鰻魚Pro 2 | P50 |
| EEL-Mini I | RE-TMY1S | 鰻魚Mini 1 | P50 |
| EEL-Mini II | RE-TMY2S | 鰻魚Mini 2 | P51 |
| EEL Micro-U | RE-TMY1U | 鰻魚Micro-U | P51 |



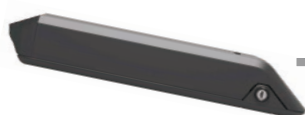
Grizzly Bear series
灰熊系列

| | | | |
|----------------|---------|------|-----|
| Grizzly Bear I | RE-THX1 | 灰熊一號 | P39 |
|----------------|---------|------|-----|



Gerlon series
蛟龍系列

| | | | |
|-----------|---------|------|-----|
| Gerlon I | RE-TJA1 | 蛟龍一號 | P40 |
| Gerlon II | RE-TJA2 | 蛟龍二號 | P41 |



Kirin series
麒麟系列

| | | | |
|----------|---------|------|-----|
| Kirin I | RE-TQL1 | 麒麟一號 | P57 |
| Kirin II | RE-TQL2 | 麒麟二號 | P58 |



Rapier series
利劍系列

| | | | |
|----------|---------|------|-----|
| Rapier I | RE-TLJ1 | 利劍一號 | P48 |
|----------|---------|------|-----|



Rhino series
犀牛系列

| | | | |
|---------|---------|------|-----|
| Rhino I | RE-TXN1 | 犀牛一號 | P75 |
|---------|---------|------|-----|



Scimitar series
半月系列

| | | | |
|------------|---------|------|-----|
| Scimitar I | RE-TBY1 | 半月一號 | P26 |
|------------|---------|------|-----|

In-frame 車管



Clouded Leopard series
雲豹系列

Clouded Leopard I SY-TYB1 雲豹一號 P77



Dolphin series
海豚系列

Dolphin II SY-THT2 海豚二號 P38



Little Fox series
小狐狸系列

Little Fox I SY-TXH1 小狐狸一號 P73
Little Fox Mini I SY-TXH2 小狐狸Mini 1 P74



Mustang series
野馬系列

Mustang I SY-TYM1 野馬一號 P78



Pathfinder series
探路者系列

Pathfinder I SY-TTL1 探路者一號 P67



Swan series
天鵝系列

Swan II YL-TTE1 天鵝二號 P65

In-frame 車管



Youth series
青年系列

Youth I YL-TQN1 青年一號

P58



Air Bus series
空中巴士系列

Air Bus I HY-TKB1 空中巴士一號

P46



SkyHawk series
天鷹系列

SkyHawk I HY-TTY1 天鷹一號
SkyHawk II HY-TTY2 天鷹二號

P72
P73



Tian Gong series
天宮系列

Tian Gong VI HY-TTG6 天宮六號
Tian Gong VIII HY-TTG8 天宮八號

P66
P66



Tian Ma series
天馬系列

Tian Ma I HY-TTM1 天馬一號

P67



Xiao Long series
梟龍系列

Xiao Long I HY-TXL1 梟龍一號
Xiao Long II HY-TXL2 梟龍二號

P74
P75

Down Tube 下管



Grasshopper series
草蜢系列

| | | | |
|----------------|---------|------|-----|
| Grasshopper I | YL-DCM1 | 草蜢一號 | P80 |
| Grasshopper II | YL-DCM2 | 草蜢二號 | P80 |



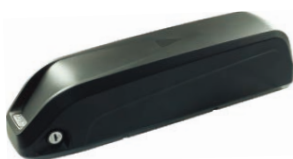
Wasp series
黃蜂系列

| | | | |
|---------|---------|------|-----|
| Wasp I | YL-DHF1 | 黃蜂一號 | P81 |
| Wasp II | YL-DHF2 | 黃蜂二號 | P82 |



Haier series
海爾系列

| | | | |
|---------|---------|------|-----|
| Haier I | SS-DHE1 | 海爾一號 | P81 |
|---------|---------|------|-----|



Hailong series
海龍系列

| | | | |
|--------------|----------|--------|-----|
| Hailong I | SS-DHL1 | 海龍一號 | P82 |
| Hailong I-2 | SS-DHL1M | 海龍一號2型 | P83 |
| Hailong Pro | SS-DHL1P | 海龍Pro | P83 |
| Hailong Plus | SS-DHL1L | 海龍Plus | P84 |
| Hailong V | SS-DHL5 | 海龍五號 | P84 |
| Hailong VII | SS-DHL7 | 海龍七號 | P85 |
| Hailong VIII | SS-DHL8 | 海龍八號 | P85 |



Sea Moon series
海月系列

| | | | |
|------------|----------|------|-----|
| Sea Moon I | SS-DHY1 | 海月一號 | P88 |
| Sea Moon-C | SS-DHY1C | 海月-C | P88 |



Sharp series
夏普系列

| | | | |
|---------|---------|------|-----|
| Sharp I | SS-DXP1 | 夏普一號 | P90 |
|---------|---------|------|-----|

Down Tube 下管



Atlas series
擎天系列

Atlas I RE-DQT5C 擎天-5C

P89



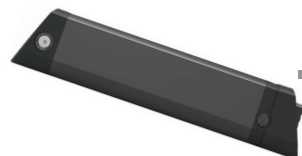
Polly series
鸚鵡系列

| | | | |
|----------|----------|-------|-----|
| Polly IV | RE-DYW4M | 鸚鵡-4M | P90 |
| Polly V | RE-DYW5 | 鸚鵡五號 | P91 |
| Polly 5C | RE-DYW5C | 鸚鵡-5C | P91 |
| Polly 5M | RE-DYW5M | 鸚鵡-5M | P92 |
| Polly VI | RE-DYW6 | 鸚鵡六號 | P92 |
| Polly 6C | RE-DYW6C | 鸚鵡-6C | P93 |
| Polly IX | RE-DYW9 | 鸚鵡九號 | P93 |
| Polly 9C | RE-DYW9C | 鸚鵡-9C | P94 |



Tiger Shark series
虎鯊系列

| | | | |
|-----------------|---------|------|-----|
| Tiger Shark I | RE-DHS1 | 虎鯊一號 | P86 |
| Tiger Shark II | RE-DHS2 | 虎鯊二號 | P86 |
| Tiger Shark III | RE-DHS3 | 虎鯊三號 | P87 |



Thunder series
雷霆系列

Thunder 4C RE-DLT4C 雷霆 4C P89



Harmony series
新和諧系列

Harmony I HY-DHX1 新和諧一號 P87

Water Bottle 水壺



Dragonfly series

小蜻蜓系列

| | | | |
|---------------|---------|-------|------|
| Dragonfly I | YL-WXQ1 | 小蜻蜓一號 | P99 |
| Dragonfly II | YL-WXQ2 | 小蜻蜓二號 | P100 |
| Dragonfly III | YL-WXQ3 | 小蜻蜓三號 | P100 |



Scarab series

金龜系列

| | | | |
|------------|---------|------|-----|
| Scarab I | YL-WJG1 | 金龜一號 | P96 |
| Scarab II | YL-WJG2 | 金龜二號 | P97 |
| Scarab III | YL-WJG3 | 金龜三號 | P97 |
| Scarab IV | YL-WJG4 | 金龜四號 | P98 |



Sky Bull series

天牛系列

| | | | |
|-------------|---------|------|-----|
| Sky Bull I | YL-WTN1 | 天牛一號 | P98 |
| Sky Bull II | YL-WTN2 | 天牛二號 | P99 |



Train series

動車系列

| | | | |
|----------|---------|------|-----|
| Train II | SS-WDC2 | 動車二號 | P95 |
|----------|---------|------|-----|



Cuttle series

海兔系列

| | | | |
|-----------|----------|-------|-----|
| Cuttle-1C | RE-WHT1C | 海兔-1C | P95 |
| Cuttle-2C | RE-WHT2C | 海兔-2C | P96 |

Rear Carrier 後衣架



Blizzard series

飛雪系列

Blizzard I YL-CFX1 飛雪一號

P103



Blue Sky series

藍天系列

Blue Sky I YL-CLT1 藍天一號

P107

Blue Sky II YL-CLT2 藍天二號

P108

Blue Sky III YL-CLT3 藍天三號

P108



Breeze series

微風系列

Breeze I YL-CWF1 微風一號

P112

Breeze II YL-CWF2 微風二號

P113

Breeze III YL-CWF3 微風三號

P113



Lightning series

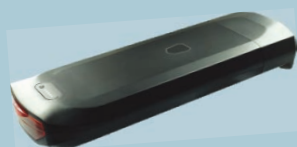
閃電系列

Lightning I YL-CSD1 閃電一號

P110

Lightning II YL-CSD2 閃電二號

P110



Matsushita series

松下系列

Matsushita II YL-CSX2 松下二號

P111



Thunderstorm series

雷雨系列

Thunderstorm I YL-CLY1 雷雨一號

P109

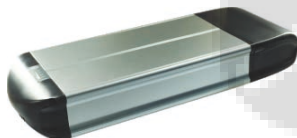
Rear Carrier 後衣架



White Cloud series
白雲系列

White Cloud I YL-CBY1 白雲一號
White Cloud II YL-CBY1 白雲二號

P101
P101



Dolphin series
海豚系列

Dolphin I SS-CHD1 海豚一號
Dolphin III SS-CHD3 海豚三號

P104
P104



Hai Tian series
海天系列

Hai Tian I SS-CHT1 海天一號

P105



Hai Ying series
海鷹系列

Hai Ying IV SS-CHY4 海鷹四號

P106



Kai Long series
凱龍系列

Kai Long I SS-CKL1T 凱龍一號

P107



Lucky Dragon series
吉龍系列

Lucky Dragon I SS-CJL1 吉龍一號

P106

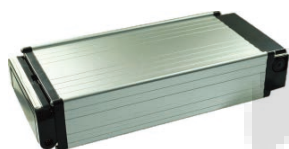
Rear Carrier 後衣架



Shooting Star series
流星系列

Shooting Star I SS-CLX1 流星一號

P109



Sky Dragon series
天龍系列

Sky Dragon I SS-CTL1 天龍一號
Sky Dragon III SS-CTL3 天龍三號

P111
P112



Brilliance series
光芒系列

Brilliance III RE-CGM3T 光芒三號

P103



Silver Shark series
銀鯊系列

Silver Shark I RE-CYS1 銀鯊 RS-

P114



Seahorse series
海瑪系列

Seahorse I HY-CHM1UW 海瑪一號

P105



Apollo series
阿波羅系列

Apollo I KN-CAP1 阿波羅一號

P101



N115 series
N115系列

N115 I KN-CCB1 N115一號

P102



Blue Whale series
藍鯨系列

Blue Whale I YL-MLJ1 藍鯨一號

P116



Coral series
珊瑚系列

Coral I YL-MSH1 珊瑚一號

P117



Jellyfish series
水母系列

Jellyfish I YL-MSM1 水母一號

P117



Sea Turtle series
海龜系列

Sea Turtle I YL-MHG1 海龜一號

P115



Seahorse series
海馬系列

Seahorse I YL-MHM1 海馬一號

P115



Starfish series
海星系列

Starfish I YL-MHX1 海星一號

P116

Seat Post 下放電



Whitebait series

銀魚系列

| | | | |
|---------------|----------|-------|------|
| Whitebait I | YL-SYY1 | 銀魚一號 | P120 |
| Whitebait II | YL-SYY2 | 銀魚二號 | P120 |
| Whitebait III | YL-SYY3 | 銀魚三號 | P120 |
| Whitebait IV | YL-SYY4 | 銀魚四號 | P120 |
| Whitebait 14 | SS-SYY14 | 銀魚下放電 | P118 |
| Whitebait 53 | SS-SYY53 | 銀魚防震款 | P119 |
| Whitebait 69 | SS-SYY69 | 銀魚下放電 | P119 |



Starfish series

海星系列

| | | | |
|-------------|---------|------|------|
| Starfish II | SS-SHX2 | 海星二號 | P118 |
|-------------|---------|------|------|

White Tiger I Series

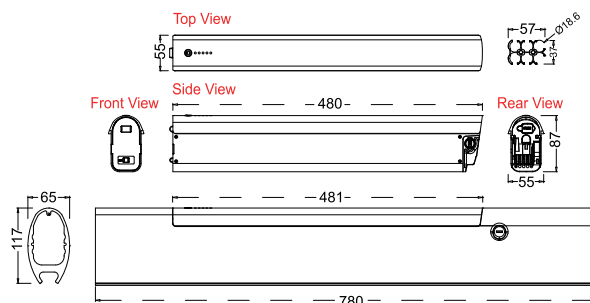
In-frame Battery Packs



4A fast charger available, refer to P.125



Battery Mounting Position:



TBH - TBJ

| | |
|---|--|
| YL-TBH1 白虎一號 (Colour: Black/Silver) | Optional: N/A |
| Discharge port: 5 Pin | Charge port: DC2.1 |
| Maximum Cells: 18650 39/40 pcs | LED indicator: 5 LED |
| Configurations: 13S3P / 10S4P | Rate: 48V: 6.6Ah - 10.5Ah 36V: 8.8Ah - 14.0Ah |
| Battery Materials: Aluminum Alloy 6063/PC+ABS | Down Tube Materials: Aluminum Alloy 6061 |

Sword I Series

In-frame Battery Packs

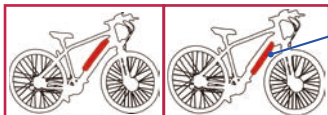


4A fast charger available, refer to P.125

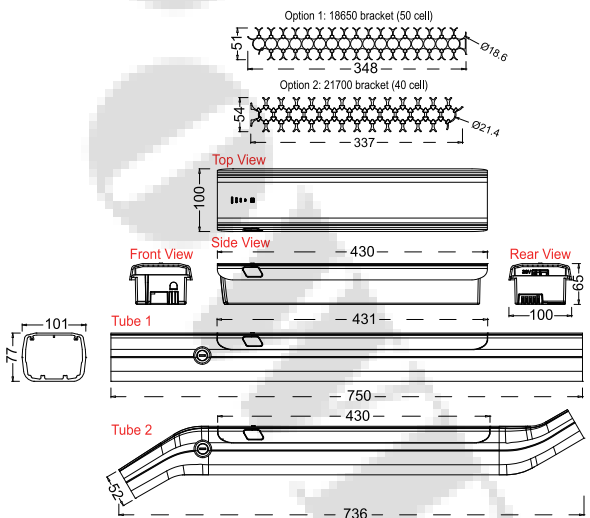
21700 cell available



Battery Mounting Position:



Safety Lock Version



| | |
|--|--|
| YL-TBJ1 寶劍一號 * <i>Spring Lock</i> | Optional: Safety Lock Version |
| Discharge port: 5 Pin | Charge port: DC2.1 |
| Maximum Cells: 21700 40 & 18650 50 pcs | LED indicator: 4 LED |
| Configurations: 10S4P & 10S5P | Rate: 36V: 20.0Ah & 11.0Ah - 17.5Ah |
| Battery Materials: PC+ABS | Down Tube Materials: Aluminum Alloy 6061 |

In-frame Battery Packs

Sword II Series



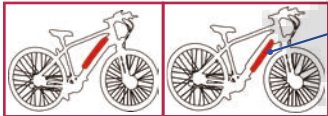
4A fast charger available, refer to P.125

TBJ - TBY

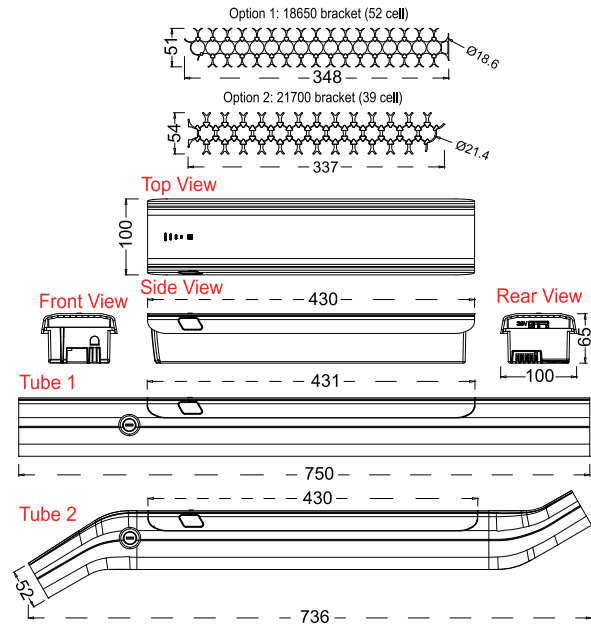
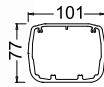
21700 cell available



Battery Mounting Position:



Safety Lock Version



YL-TBJ2 寶劍二號 * Spring Lock **NEW**

Discharge port: 5 Pin

Maximum Cells: 21700 39 & 18650 52 pcs

Configurations: 13S3P & 13S4P

Battery Materials: PC+ABS

Optional: Safety Lock Version

Charge port: DC2.1

LED indicator: 4 LED

Rate: 48V: 15.0Ah & 8.8Ah - 14.0Ah

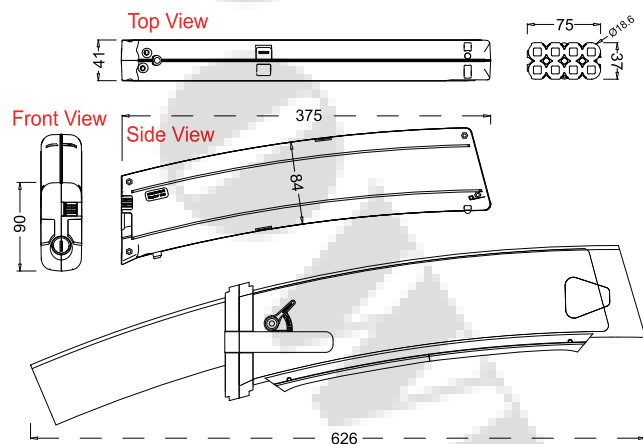
Down Tube Materials: Aluminum Alloy 6061

In-frame Battery Packs

Scimitar I Series



4A fast charger available, refer to P.125



RE-TBY1 半月一號

Discharge port: 2 Pin

Maximum Cells: 18650 30 pcs

Configurations: 10S3P

Battery Materials: PC+ABS

Optional: USB Port

Charge port: DC2.1

LED indicator: N/A

Rate: 36V: 6.6Ah - 10.5Ah

Down Tube Materials: Aluminum Alloy 6061

Changlong I Series

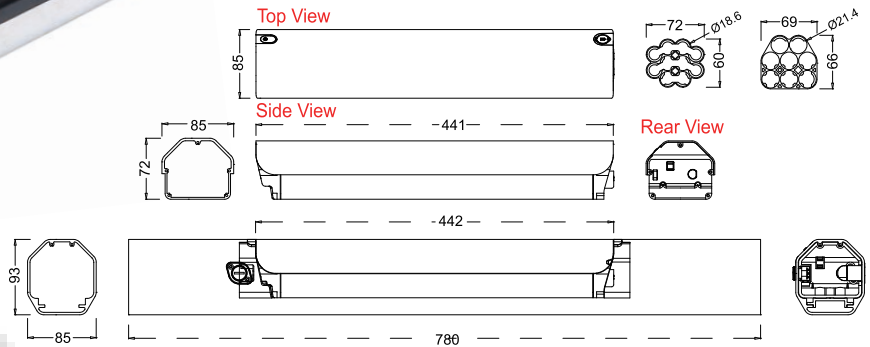
In-frame Battery Packs

21700 cell available



4A fast charger available, refer to P.125

TCL-TCZ



Battery Mounting Position:



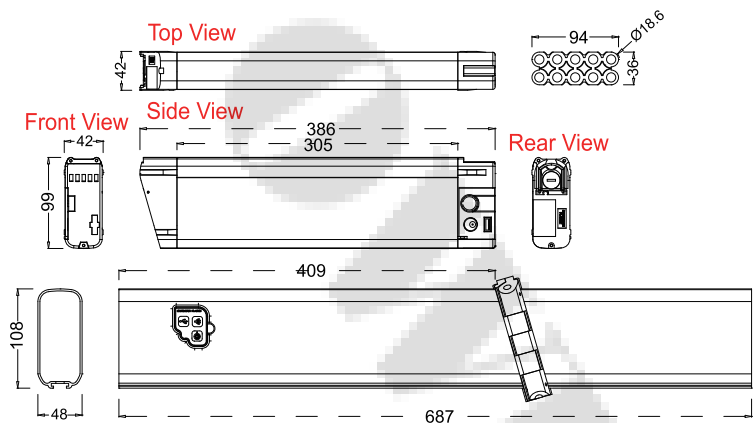
| | |
|---|--|
| SS-TCL1 長龍一號 | Optional: N/A |
| Discharge port: 6 Pin | Charge port: DC2.1 |
| Maximum Cells: 21700 40 pcs & 18650 50 pcs | LED indicator: 4 LED |
| Configurations: 10S4P & 10S5P | Rate: 36V: 20.0Ah & 11.0Ah - 17.5Ah |
| Battery Materials: Aluminum Alloy 6063/PC+ABS | Down Tube Materials: Aluminum Alloy 6061 |

Expedition I Series

In-frame Battery Packs



4A fast charger available, refer to P.125



| | |
|---|--|
| SS-TCZ1 長征一號 | Optional: USB Port |
| Discharge port: 2 Pin | Charge port: DC2.1 |
| Maximum Cells: 18650 40 pcs | LED indicator: N/A |
| Configurations: 10S4P | Rate: 36V: 8.8Ah - 14.0Ah |
| Battery Materials: Aluminum Alloy 6063/PC+ABS | Down Tube Materials: Aluminum Alloy 6061 |

In-frame Battery Packs

Unicorn I Series

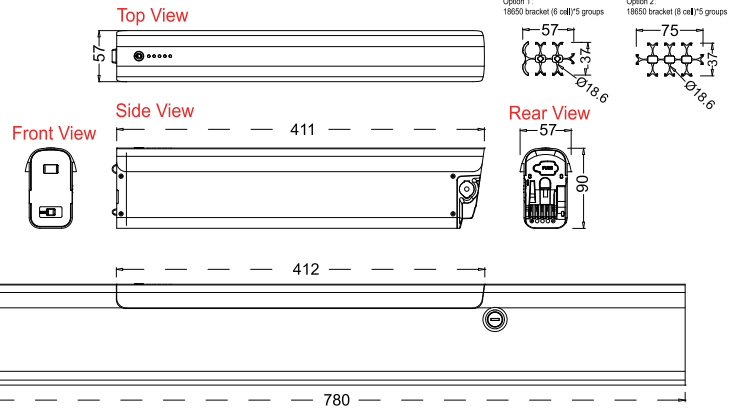
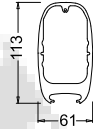


4A fast charger available, refer to P.125

TDJ



Battery Mounting Position:



Down Tube Weight(kg): 3.42

YL-TDJ1 獨角獸一號 (Colour: Black/Silver) * *Spring Lock* Optional: N/A

Discharge port: 5 Pin

Charge port: DC2.1

Maximum Cells: 18650 39/ 40/ 30 pcs

LED indicator: 5 LED

Configurations: 13S3P/ 10S4P/ 10S3P

Rate: 48V: 6.6Ah - 10.5Ah
36V: 8.8Ah - 14.0Ah/ 6.6Ah - 10.5Ah

Battery Materials: Aluminum Alloy 6063/PC+ABS

Down Tube Materials: Aluminum Alloy 6061

In-frame Battery Packs

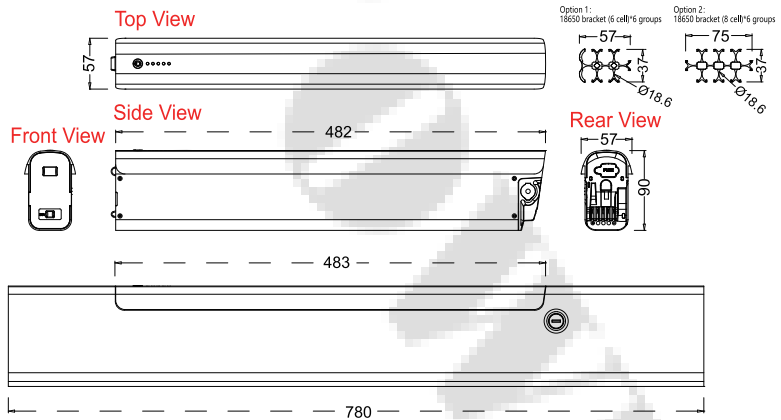
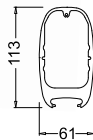
Unicorn II Series



4A fast charger available, refer to P.125



Battery Mounting Position:



Down Tube Weight(kg): 3.42

YL-TDJ2 獨角獸二號 (Colour: Black/Silver) * *Spring Lock* Optional: N/A

Discharge port: 5 Pin

Charge port: DC2.1

Maximum Cells: 18650 39/ 50/ 40 pcs

LED indicator: 5 LED

Configurations: 13S3P/ 10S5P/10S4P

Rate: 48V: 6.6Ah - 10.5Ah
36V: 11.0Ah - 17.5Ah/ 8.8Ah - 14.0Ah

Battery Materials: Aluminum Alloy 6063/PC+ABS

Down Tube Materials: Aluminum Alloy 6061

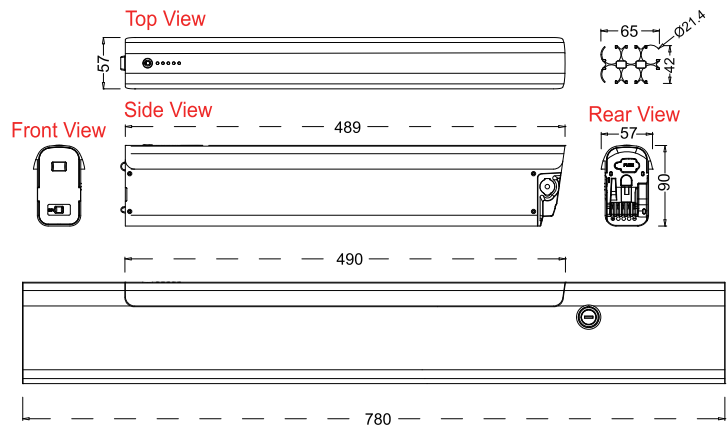
Unicorn III Series

In-frame Battery Packs

21700 cell available



4A fast charger available, refer to P.125



Battery Mounting Position:



Down Tube Weight(kg): 3.42

YL-TDJ3 獨角獸三號 (Colour: Black/Silver) * *Spring Lock* Optional: N/A

Discharge port: 5 Pin

Charge port: DC2.1

Maximum Cells: 21700 39/40 pcs

LED indicator: 5 LED

Configurations: 13S3P/ 10S4P

Rate: 48V: 15.0Ah
36V: 20.0Ah

Battery Materials: Aluminum Alloy 6063/PC+ABS

Down Tube Materials: Aluminum Alloy 6061

TDJ

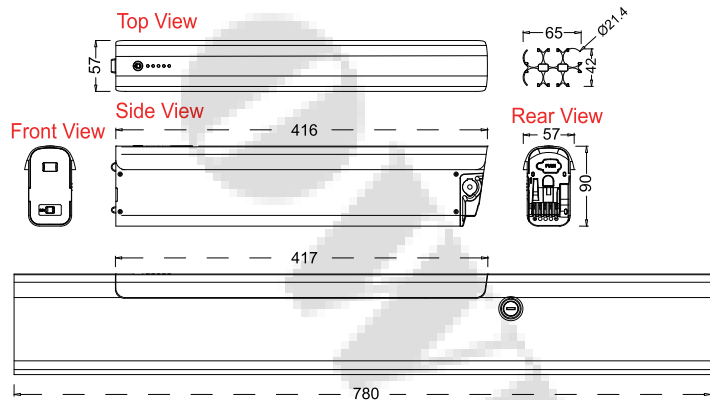
Unicorn IV Series

In-frame Battery Packs

21700 cell available



4A fast charger available, refer to P.125



Battery Mounting Position:



Down Tube Weight(kg): 3.42

YL-TDJ4 獨角獸四號 (Colour: Black/Silver) * *Spring Lock* Optional: N/A

Discharge port: 5 Pin

Charge port: DC2.1

Maximum Cells: 21700 30 pcs

LED indicator: 5 LED

Configurations: 10S3P

Rate: 36V: 15.0Ah

Battery Materials: Aluminum Alloy 6063/PC+ABS

Down Tube Materials: Aluminum Alloy 6061

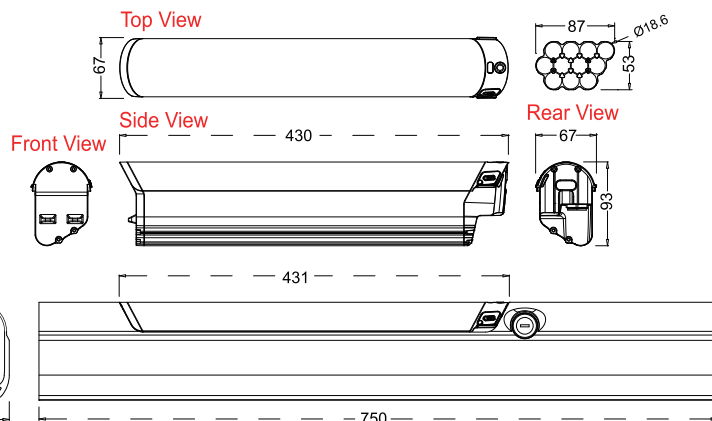
In-frame Battery Packs

Electric Eel I Series

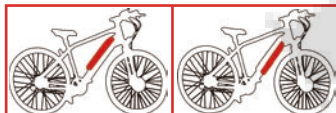


4A fast charger available, refer to P.125

TDM



Battery Mounting Position:



YL-TDM1 電鰻一號 (EEL Pro) * Spring Lock

Optional: N/A

Discharge port: 6 Pin

Charge port: DC2.1

Maximum Cells: 18650 52/ 50 pcs

LED indicator: Single LED (Tricolor)

Configurations: 13S4P/ 10S5P

Rate: 48V: 8.8Ah - 14.0Ah
36V: 11.0Ah - 17.5Ah

Battery Materials: Aluminum Alloy 6063/PC+ABS

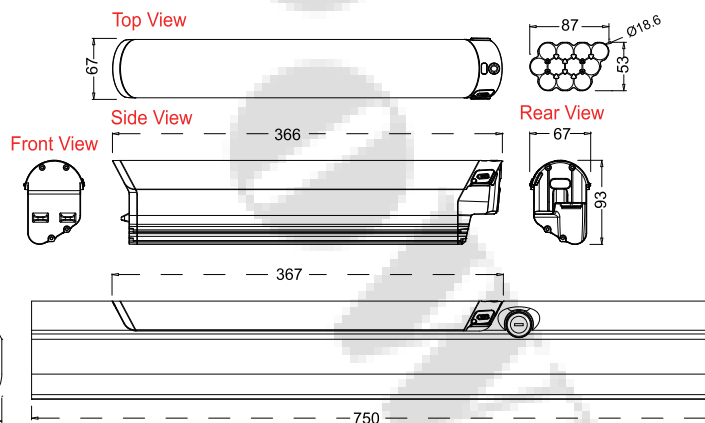
Down Tube Materials: Aluminum Alloy 6061

In-frame Battery Packs

Electric Eel II Series



4A fast charger available, refer to P.125



Battery Mounting Position:



YL-TDM2 電鰻二號 (EEL Pro) * Spring Lock

Optional: N/A

Discharge port: 6 Pin

Charge port: DC2.1

Maximum Cells: 18650 40 pcs

LED indicator: Single LED (Tricolor)

Configurations: 10S4P

Rate: 36V: 8.8Ah - 14.0Ah

Battery Materials: Aluminum Alloy 6063/PC+ABS

Down Tube Materials: Aluminum Alloy 6061

Electric Eel A Series

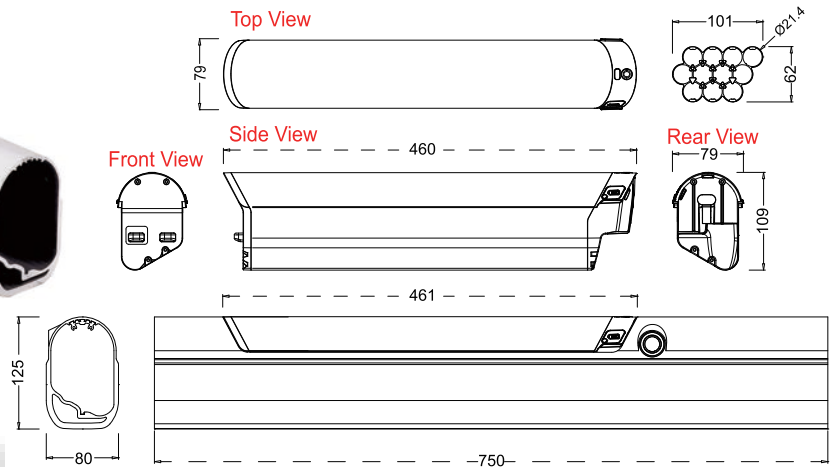
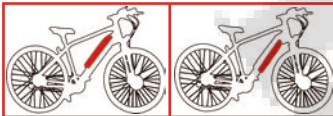
In-frame Battery Packs

21700 cell available



4A fast charger available, refer to P.125

Battery Mounting Position:



TDM

| | |
|---|--|
| YL-TDMA 電鰻A * <i>Spring Lock</i> | Optional: N/A |
| Discharge port: 6 Pin | Charge port: DC2.1 |
| Maximum Cells: 21700 52/ 50 pcs | LED indicator: Single LED (Tricolor) |
| Configurations: 13S4P/ 10S5P | Rate: 48V: 20.0Ah 36V: 25.0Ah |
| Battery Materials: Aluminum Alloy 6063/PC+ABS | Down Tube Materials: Aluminum Alloy 6061 |

Electric Eel B Series

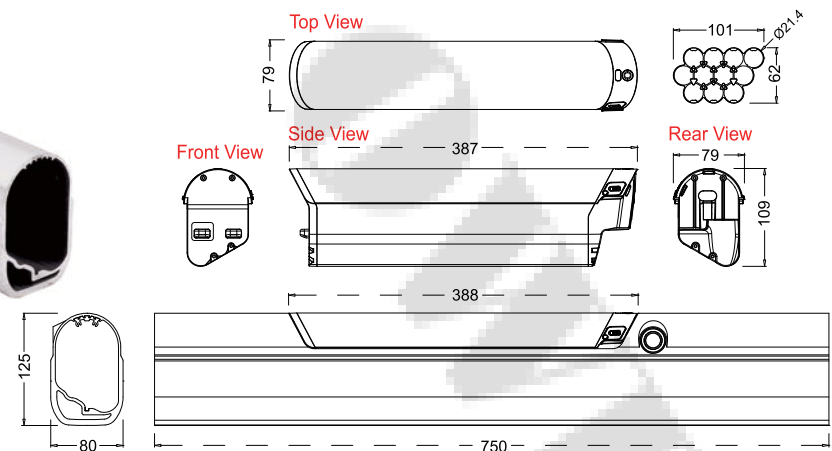
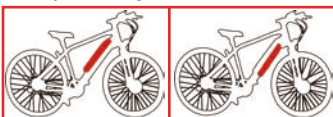
In-frame Battery Packs

21700 cell available



4A fast charger available, refer to P.125

Battery Mounting Position:



| | |
|---|--|
| YL-TDMB 電鰻B * <i>Spring Lock</i> | Optional: N/A |
| Discharge port: 6 Pin | Charge port: DC2.1 |
| Maximum Cells: 21700 39/ 40 pcs | LED indicator: Single LED (Tricolor) |
| Configurations: 13S3P/ 10S4P | Rate: 48V: 15.0Ah 36V: 20.0Ah |
| Battery Materials: Aluminum Alloy 6063/PC+ABS | Down Tube Materials: Aluminum Alloy 6061 |

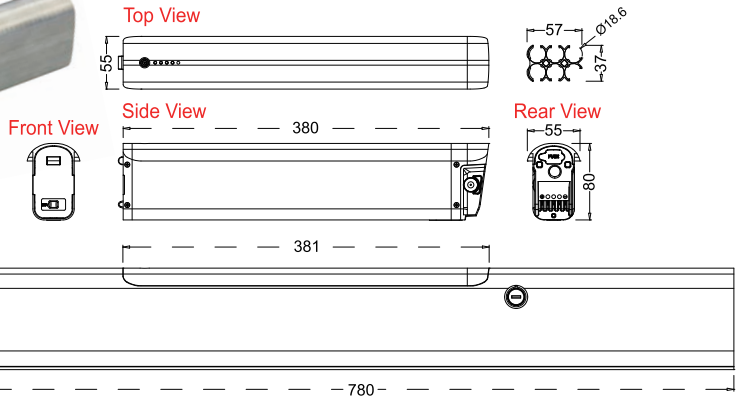
In-frame Battery Packs

Phoenix I Series



4A fast charger available, refer to P.125

TFH



Battery Mounting Position:



Down Tube Weight(kg): 3.36

YL-TFH1 鳳凰一號 (Colour: Black/Silver) * *Spring Lock* Optional: N/A

Discharge port: 5 Pin

Charge port: DC2.1

Maximum Cells: 18650 30 pcs

LED indicator: 5 LED

Configurations: 10S3P

Rate: 36V: 6.6Ah - 10.5Ah

Battery Materials: Aluminum Alloy 6063/PC+ABS

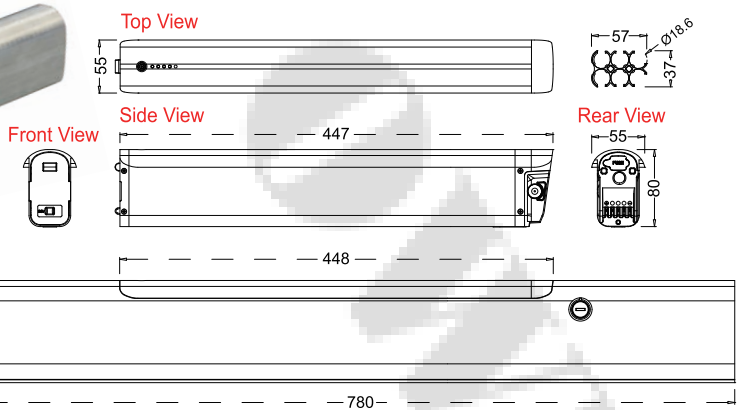
Down Tube Materials: Aluminum Alloy 6061

In-frame Battery Packs

Phoenix II Series



4A fast charger available, refer to P.125



Battery Mounting Position:



Down Tube Weight(kg): 3.36

YL-TFH2 鳳凰二號 (Colour: Black/Silver) * *Spring Lock* Optional: N/A

Discharge port: 5 Pin

Charge port: DC2.1

Maximum Cells: 18650 39/ 40 pcs

LED indicator: 5 LED

Configurations: 13S3P/ 10S4P

Rate: 48V: 6.6Ah - 10.5Ah
36V: 8.8Ah - 14.0Ah

Battery Materials: Aluminum Alloy 6063/PC+ABS

Down Tube Materials: Aluminum Alloy 6061

Feng Tian I Series

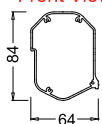
In-frame Battery Packs



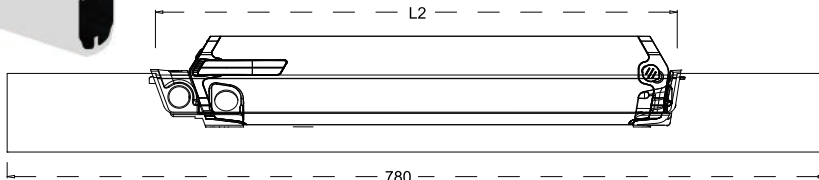
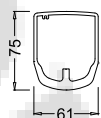
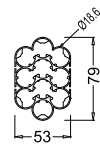
4A fast charger available, refer to P.125



Front View



Side View



Battery Mounting Position:



| | Item | 50cell(18650) | 40cell(18650) |
|----|---------------|---------------|---------------|
| L1 | Aluminum case | L1=432.5mm | L1=368.5mm |
| L2 | Tube cutting | L2=497.3mm | L2=433.3mm |

SS-TFT1 豐田一號

Optional: Handle Bar

Discharge port: 5/ 6 Pin

Charge port: DC2.1

Maximum Cells: 18650 50/ 40 pcs

LED indicator: Single LED (Tricolor)

Configurations: 10S5P/ 10S4P

Rate: 36V: 11.0Ah - 17.5Ah/ 8.8Ah - 14.0Ah

Battery Materials: Aluminum Alloy 6063/PC+ABS

Down Tube Materials: Aluminum Alloy 6061

Feng Tian II Series

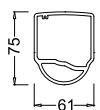
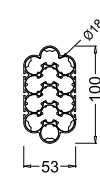
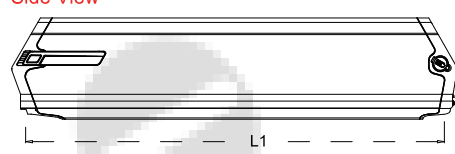
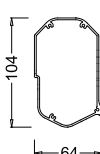
In-frame Battery Packs



4A fast charger available, refer to P.125



Side View



Battery Mounting Position:



| | Item | 65cell(18650) | 52cell(18650) |
|----|---------------|---------------|---------------|
| L1 | Aluminum case | L1=431.9mm | L1=367.9mm |
| L2 | Tube cutting | L2=497.3mm | L2=433.3mm |

SS-TFT2 豐田二號

Optional: Handle Bar

Discharge port: 5/ 6 Pin

Charge port: DC2.1

Maximum Cells: 18650 65/ 52 pcs

LED indicator: 4 LED

Configurations: 13S5P/ 13S4P

Rate: 48V: 11.0Ah - 17.5Ah/ 8.8Ah - 14.0Ah

Battery Materials: Aluminum Alloy 6063/PC+ABS

Down Tube Materials: Aluminum Alloy 6061

TFT

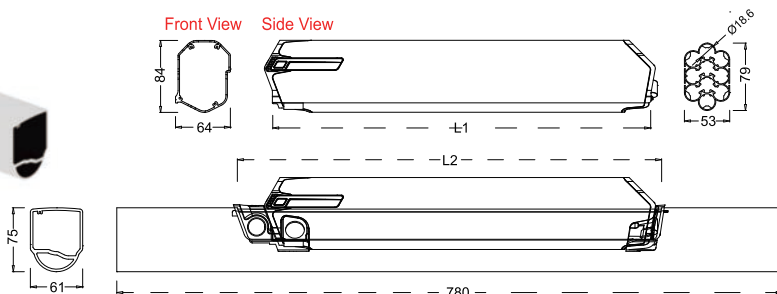
In-frame Battery Packs

Feng Tian III Series



4A fast charger available, refer to P.125

TFT



Battery Mounting Position:



| | Item | 50cell(18650) | 40cell(18650) |
|----|---------------|---------------|---------------|
| L1 | Aluminum case | L1=446.4mm | L1=382.4mm |
| L2 | Tube cutting | L2=497.3mm | L2=433.3mm |

SS-TFT3 豐田三號

Optional: Handle Bar

Discharge port: 5/ 6 Pin

Charge port: DC2.1

Maximum Cells: 18650 50/ 40 pcs

LED indicator: 4 LED

Configurations: 10S5P/ 10S4P

Rate: 36V: 11.0Ah - 17.5Ah/ 8.8Ah - 14.0Ah

Battery Materials: Aluminum Alloy 6063/PC+ABS

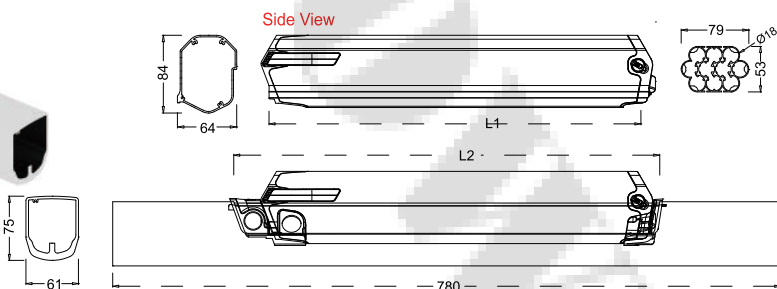
Down Tube Materials: Aluminum Alloy 6061

In-frame Battery Packs

Feng Tian IV Series



4A fast charger available, refer to P.125



Battery Mounting Position:



| | Item | 50cell(18650) | 40cell(18650) |
|----|---------------|---------------|---------------|
| L1 | Aluminum case | L1=440.1mm | L1=376.1mm |
| L2 | Tube cutting | L2=497.3mm | L2=433.3mm |

SS-TFT4 豐田四號

Optional: Handle Bar

Discharge port: 5/ 6 Pin

Charge port: DC2.1

Maximum Cells: 18650 50/ 40 pcs

LED indicator: 4 LED

Configurations: 10S5P/ 10S4P

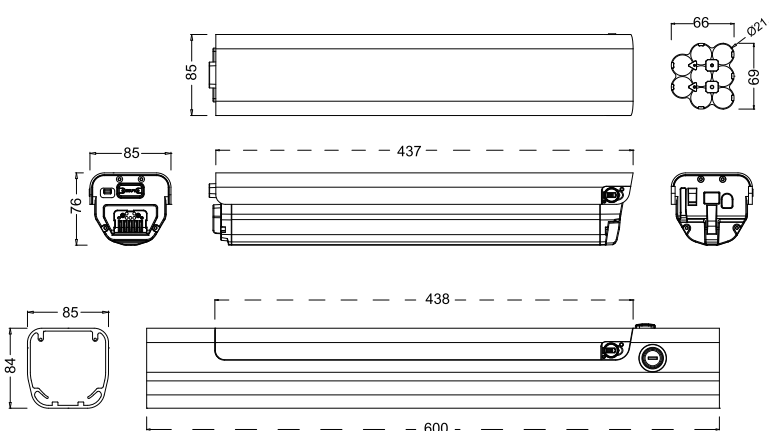
Rate: 36V: 11.0Ah - 17.5Ah/ 8.8Ah - 14.0Ah

Battery Materials: Aluminum Alloy 6063/PC+ABS

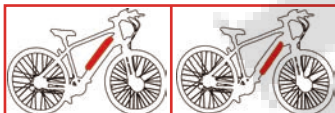
Down Tube Materials: Aluminum Alloy 6061



4A fast charger available, refer to P.125



Battery Mounting Position:



THB

YL-THB1 黑豹一號 **NEW**

| | |
|---|--|
| Discharge port: 7 Pin | Optional: N/A |
| Maximum Cells: 21700 40 & 18650 50pcs | Charge port: DC2.1 |
| Configurations: 10S4P & 10S5P | LED indicator: 5 LED |
| Battery Materials: Aluminum Alloy 6063/PC+ABS | Rate: 36V: 20.0Ah & 11.0Ah - 17.5Ah |
| | Down Tube Materials: Aluminum Alloy 6061 |



In-frame Battery Packs

Wolf I Series



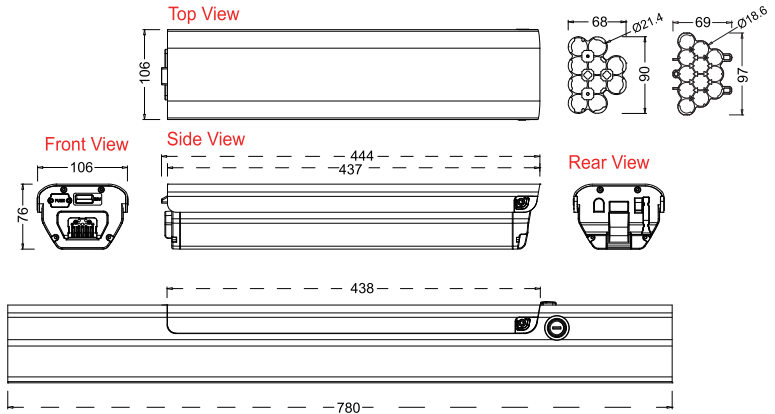
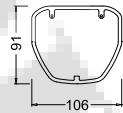
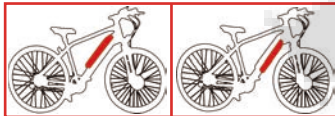
4A fast charger available, refer to P.125

THL

21700 cell available



Battery Mounting Position:



YL-THL1 灰狼一號

Optional: N/A

Discharge port: 7 Pin

Charge port: DC2.1

Maximum Cells: 21700 39/ 50 & 18650 60pcs

LED indicator: 5 LED

Configurations: 13S3P/ 10S5P & 10S6P

Rate: 48V: 15.0Ah
36V: 25.0Ah & 13.2Ah - 21.0Ah

Battery Materials: Aluminum Alloy 6063/PC+ABS

Down Tube Materials: Aluminum Alloy 6061

In-frame Battery Packs

Wolf II Series

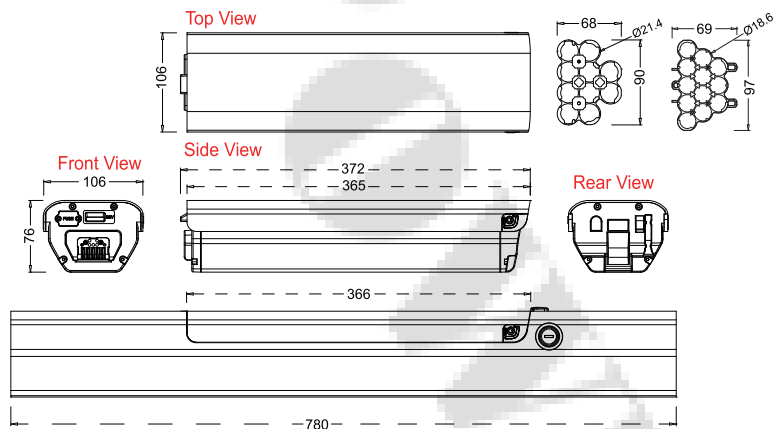
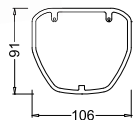
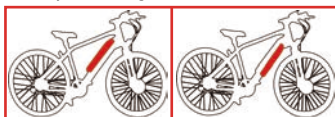


4A fast charger available, refer to P.125

21700 cell available



Battery Mounting Position:



YL-THL2 灰狼二號

Optional: N/A

Discharge port: 7 Pin

Charge port: DC2.1

Maximum Cells: 21700 39/ 40 & 18650 40pcs

LED indicator: 5 LED

Configurations: 13S3P/ 10S4P & 10S4P

Rate: 48V: 15.0Ah
36V: 20.0Ah & 8.8Ah - 14.0Ah

Battery Materials: Aluminum Alloy 6063/PC+ABS

Down Tube Materials: Aluminum Alloy 6061

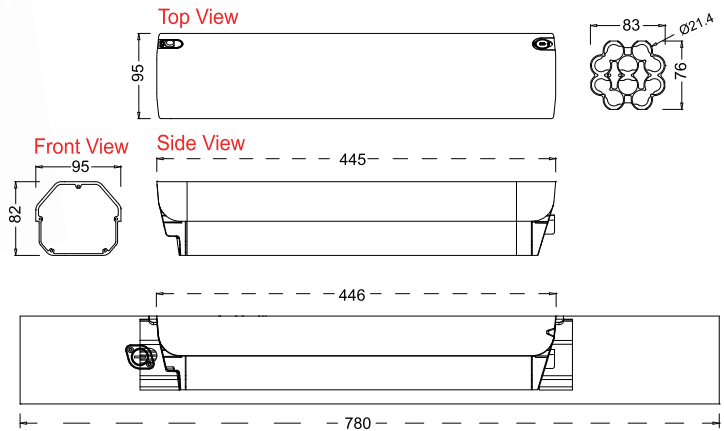
Sea Lion I Series

In-frame Battery Packs

21700 cell available



4A fast charger available, refer to P.125



Battery Mounting Position:



SHI

| | |
|---|--|
| SS-THS1 海獅一號 | Optional: N/A |
| Discharge port: 6 Pin | Charge port: DC2.1 |
| Maximum Cells: 21700 50 pcs | LED indicator: Single LED (Tricolor) |
| Configurations: 10S5P | Rate: 36V: 25.0Ah |
| Battery Materials: Aluminum Alloy 6063/PC+ABS | Down Tube Materials: Aluminum Alloy 6061 |

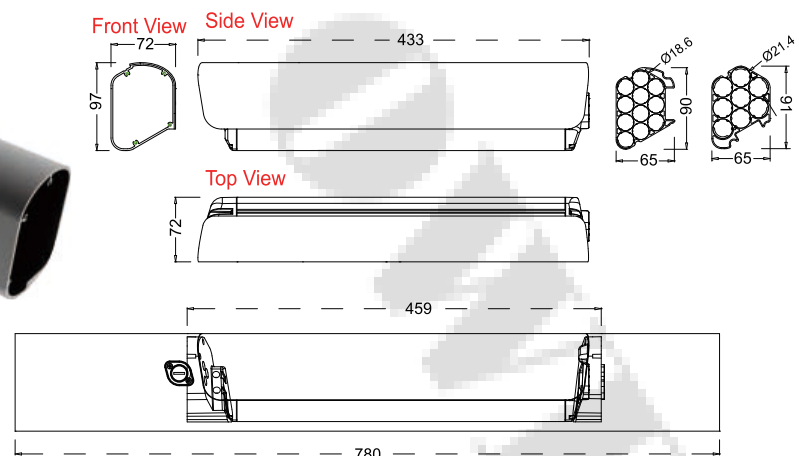
Sea Lion II Series

In-frame Battery Packs

21700 cell available



4A fast charger available, refer to P.125



Battery Mounting Position:



| | |
|---|--|
| SS-THS2 海獅二號 | Optional: N/A |
| Discharge port: 6 Pin | Charge port: DC2.1 |
| Maximum Cells: 21700 40 pcs & 18650 52/50 pcs | LED indicator: Single LED (Tricolor) |
| Configurations: 10S4P & 13S4P/ 10S5P | Rate: 48V: 8.8Ah - 14.0Ah 36V: 20.0Ah & 11.0Ah - 17.5Ah |
| Battery Materials: Aluminum Alloy 6063/PC+ABS | Down Tube Materials: Aluminum Alloy 6061 |

In-frame Battery Packs

Sea Moon-F Series



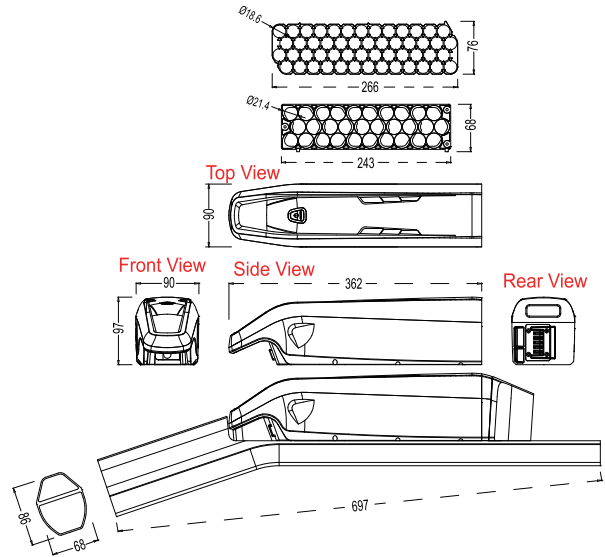
4A fast charger available, refer to P.125

THA - THT

21700 cell available



Battery Mounting Position:



SS-THA1 海月-F

Optional: N/A

Discharge port: 6 Pin

Charge port: DC2.1

Maximum Cells: 21700 30 pcs & 18650 52 pcs

LED indicator: Single LED (Tricolor)

Configurations: 10S3P & 13S4P

Rate: 48V: 8.8Ah - 14.0Ah
36V: 15.0Ah

Battery Materials: Aluminum Alloy 6063/PC+ABS

Down Tube Materials: Aluminum Alloy 6061

In-frame Battery Packs

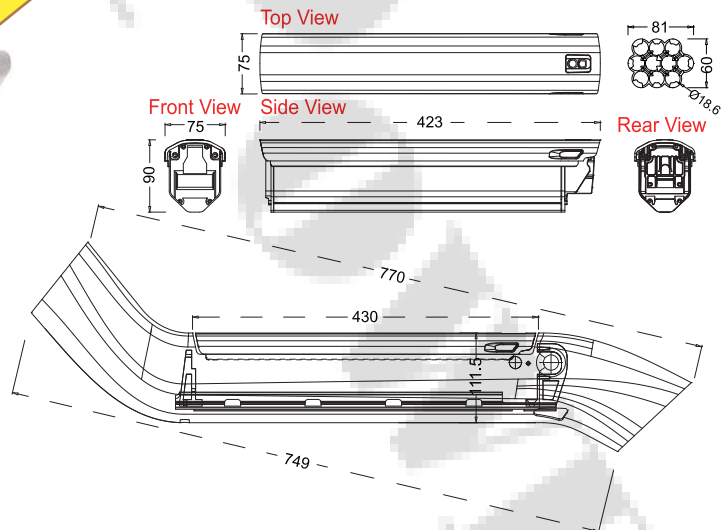
Dolphin II Series



4A fast charger available, refer to P.125



Battery Mounting Position:



SY-THT2 海豚二號

NEW

Optional: N/A

Discharge port: 4 Pin

Charge port: DC2.1

Maximum Cells: 18650 50 pcs

LED indicator: Single LED (Tricolor)

Configurations: 10S5P

Rate: 36V: 11.0Ah - 17.5Ah

Battery Materials: Aluminum Alloy 6063/PC+ABS

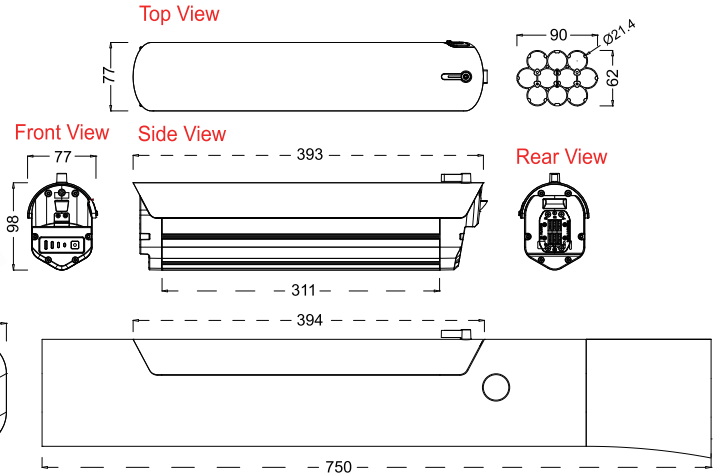
Down Tube Materials: Aluminum Alloy 6061

Grizzly Bear I Series

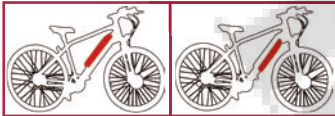
In-frame Battery Packs

21700 cell available

4A fast charger available, refer to P.125



Battery Mounting Position:



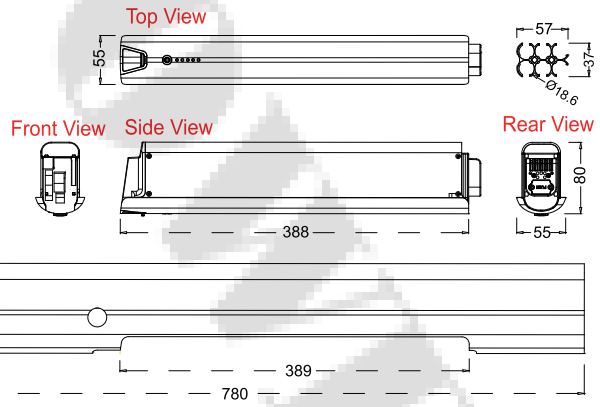
THX - THY

| | |
|---|---|
| RE-THX1 灰熊一號 NEW | Optional: N/A |
| Discharge port: 6 Pin | Charge port: DC2.1 Opt. 3Pin high current |
| Maximum Cells: 21700 39/40 pcs | LED indicator: Single LED (Tricolor) |
| Configurations: 13S3P/10S4P | Rate: 48V: 15.0Ah 36V: 20.0Ah |
| Battery Materials: Aluminum Alloy 6063/PC+ABS | Down Tube Materials: Aluminum Alloy 6061 |

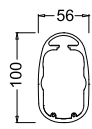
Eagle I Series

In-frame Battery Packs

4A fast charger available, refer to P.125



Battery Mounting Position:



| | |
|---|--|
| YL-THY1 黑鷹一號 | Optional: N/A |
| Discharge port: 7 Pin | Charge port: DC2.1 |
| Maximum Cells: 18650 30 pcs | LED indicator: 5 LED |
| Configurations: 10S3P | Rate: 36V: 6.6Ah - 10.5Ah |
| Battery Materials: Aluminum Alloy 6063/PC+ABS | Down Tube Materials: Aluminum Alloy 6061 |

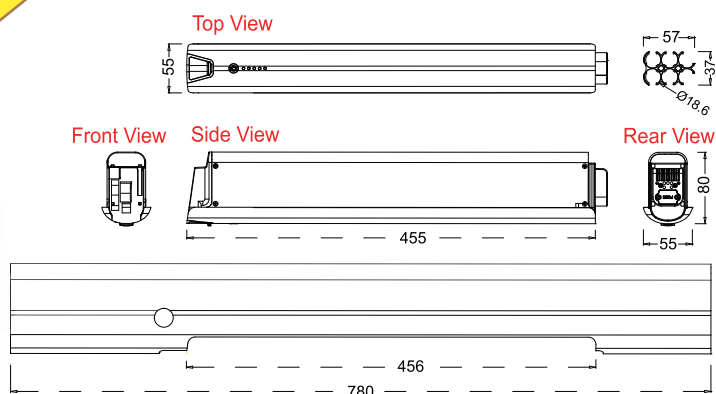
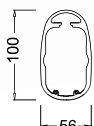
In-frame Battery Packs

Eagle II Series



4A fast charger available, refer to P.125

THY - TJA



Battery Mounting Position:



YL-THY2 黑鷹二號

Optional: N/A

Discharge port: 7 Pin

Charge port: DC2.1

Maximum Cells: 18650 39/ 40 pcs

LED indicator: 5 LED

Configurations: 13S3P/ 10S4P

Rate: 48V: 6.6Ah - 10.5Ah
36V: 8.8Ah - 14.0Ah

Battery Materials: Aluminum Alloy 6063/PC+ABS

Down Tube Materials: Aluminum Alloy 6061

In-frame Battery Packs

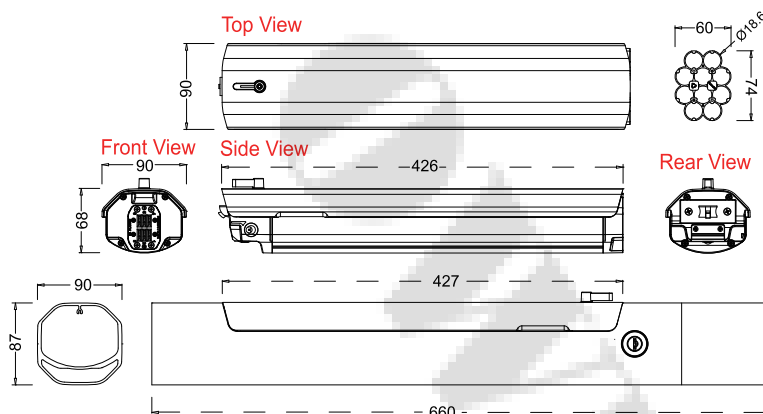
Gerlon I Series



4A fast charger available, refer to P.125



Battery Mounting Position:



RE-TJA1 蛟龍一號

Optional: N/A

Discharge port: 6 Pin

Charge port: DC2.1

Maximum Cells: 18650 50 pcs

LED indicator: Single LED (Tricolor)

Configurations: 10S5P

Rate: 36V: 11.0Ah - 17.5Ah

Battery Materials: Aluminum Alloy 6063/PC+ABS

Down Tube Materials: Aluminum Alloy 6061

Gerlon II Series

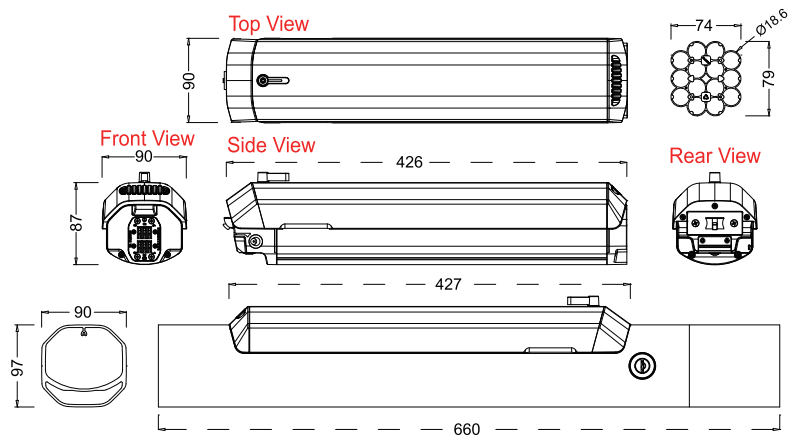
In-frame Battery Packs



4A fast charger available, refer to P.125



Battery Mounting Position:



TJA - TJL

RE-TJA2 蛟龍二號

Optional: N/A

Discharge port: 6 Pin

Charge port: DC2.1

Maximum Cells: 18650 70 pcs

LED indicator: Single LED (Tricolor)

Configurations: 10S7P

Rate: 36V: 15.4Ah - 24.5Ah

Battery Materials: Aluminum Alloy 6063/PC+ABS

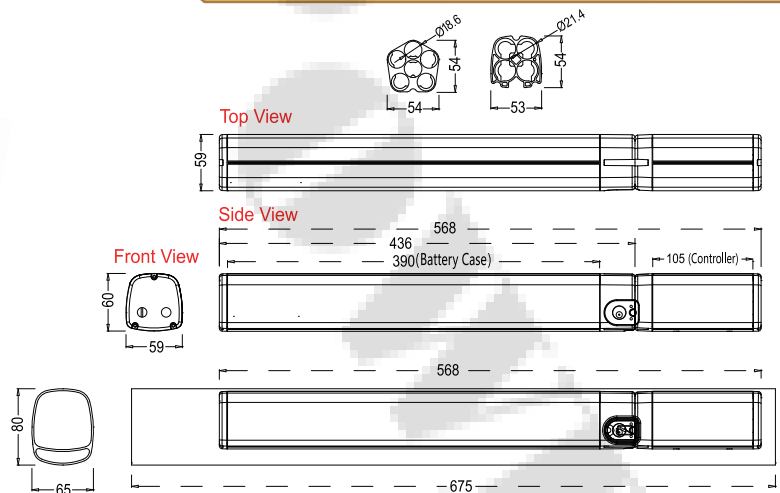
Down Tube Materials: Aluminum Alloy 6061

Huge Loong I Series

In-frame Battery Packs



4A fast charger available, refer to P.125



SS-TJL1 巨龍一號

Optional: N/A

Discharge port: 6 Pin

Charge port: DC2.1

Maximum Cells: 18650 30 pcs & 21700 20pcs

LED indicator: N/A

Configurations: 10S3P/ 10S2P

Rate: 36V: 6.6Ah - 10.5Ah & 10.0Ah

Battery Materials: Aluminum Alloy 6063/PC+ABS

Down Tube Materials: Aluminum Alloy 6061

In-frame Battery Packs

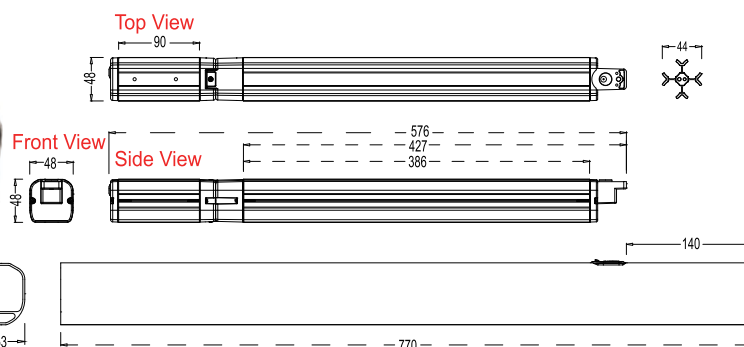
Huge Loong II Series



4A fast charger available, refer to P.125

TJL - TJY

21700 cell available



| | |
|---|--|
| SS-TJL2 巨龍二號 | Optional: N/A |
| Discharge port: 2/ 5 Pin | Charge port: DC2.1 |
| Maximum Cells: 21700 20 pcs | LED indicator: N/A |
| Configurations: 10S2P | Rate: 36V: 10.0Ah |
| Battery Materials: Aluminum Alloy 6063/PC+ABS | Down Tube Materials: Aluminum Alloy 6061 |

In-frame Battery Packs

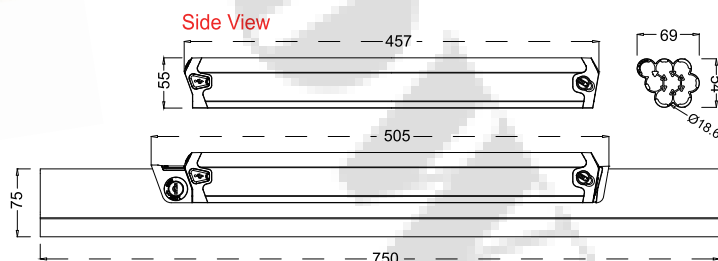
Dorado-Mini1 Series



4A fast charger available, refer to P.125



Battery Mounting Position:



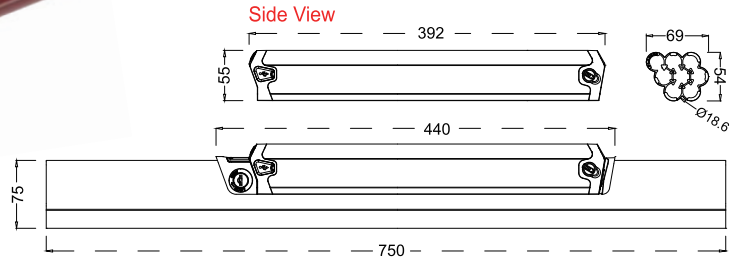
| | |
|---|--|
| RE-TJY1S 劍魚-Mini1 | Optional: USB Port |
| Discharge port: 5 Pin | Charge port: DC2.1 |
| Maximum Cells: 18650 40 pcs | LED indicator: Single LED (Tricolor) |
| Configurations: 10S4P | Rate: 36V: 8.8Ah - 14.0Ah |
| Battery Materials: Aluminum Alloy 6063/PC+ABS | Down Tube Materials: Aluminum Alloy 6061 |

Dorado-Mini2 Series

In-frame Battery Packs



4A fast charger available, refer to P.125



Battery Mounting Position:



TJY

RE-TJY2S 劍魚-Mini2

Optional: USB Port

Discharge port: 5 Pin

Charge port: DC2.1

Maximum Cells: 18650 30 pcs

LED indicator: Single LED (Tricolor)

Configurations: 10S3P

Rate: 36V: 6.6Ah - 10.5Ah

Battery Materials: Aluminum Alloy 6063/PC+ABS

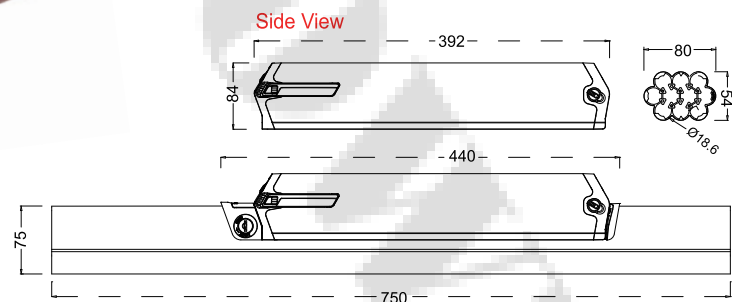
Down Tube Materials: Aluminum Alloy 6061

Dorado-Pro3 Series

In-frame Battery Packs



4A fast charger available, refer to P.125



Battery Mounting Position:



RE-TJY3P 劍魚-Pro3

Optional: Handle Bar & USB Port

Discharge port: 5 Pin

Charge port: DC2.1

Maximum Cells: 18650 40 pcs

LED indicator: Single LED (Tricolor)

Configurations: 10S4P

Rate: 36V: 8.8Ah - 14.0Ah

Battery Materials: Aluminum Alloy 6063/PC+ABS

Down Tube Materials: Aluminum Alloy 6061

In-frame Battery Packs

Dorado-Pro4 Series

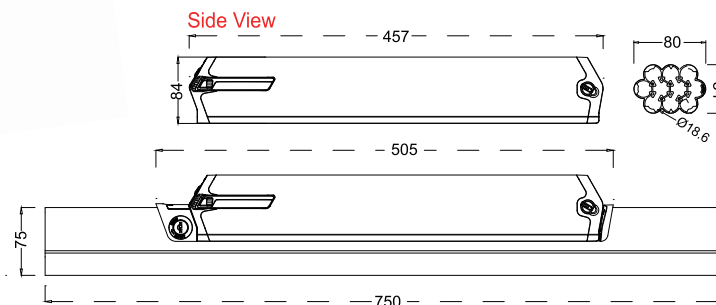


4A fast charger available, refer to P.125

TJY



Battery Mounting Position:



RE-TJY4P 劍魚-Pro4

Optional: Handle Bar & USB Port

Discharge port: 5 Pin

Charge port: DC2.1

Maximum Cells: 18650 50 pcs

LED indicator: Single LED (Tricolor)

Configurations: 10S5P

Rate: 36V: 11.0Ah - 17.5Ah

Battery Materials: Aluminum Alloy 6063/PC+ABS

Down Tube Materials: Aluminum Alloy 6061

In-frame Battery Packs

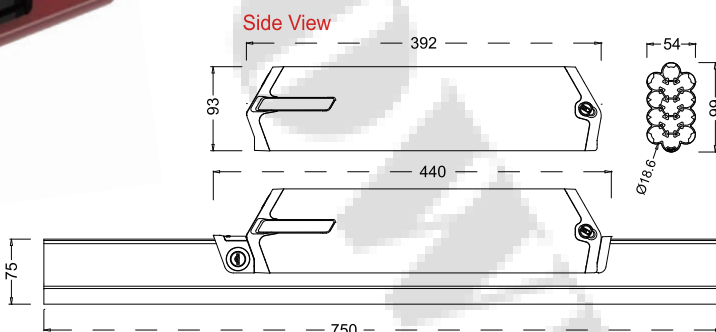
Dorado-Plus5 Series



4A fast charger available, refer to P.125



Battery Mounting Position:



RE-TJY5 劍魚-Plus5

Optional: Handle Bar & USB Port

Discharge port: 5 Pin

Charge port: DC2.1

Maximum Cells: 18650 52/ 50 pcs

LED indicator: 4 LED

Configurations: 13S4P/ 10S5P

Rate: 48V: 8.8Ah - 14.0Ah
36V: 11.0Ah - 17.5Ah

Battery Materials: Aluminum Alloy 6063/PC+ABS

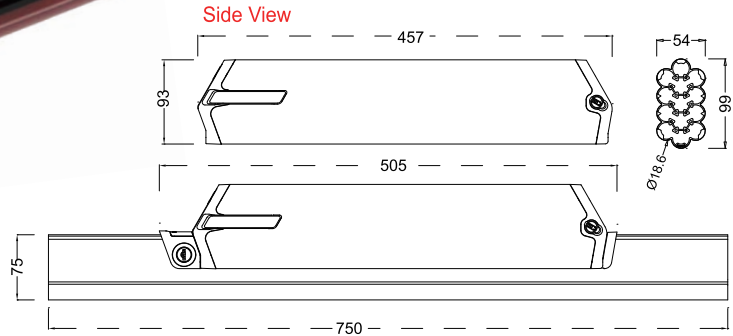
Down Tube Materials: Aluminum Alloy 6061

Dorado-Plus6 Series

In-frame Battery Packs



4A fast charger available, refer to P.125



TJY

Battery Mounting Position:



RE-TJY6 劍魚-Plus6

Optional: Handle Bar & USB Port

Discharge port: 5 Pin

Charge port: DC2.1

Maximum Cells: 18650 65 pcs

LED indicator: 4 LED

Configurations: 13S5P

Rate: 48V: 11.0Ah - 17.5Ah

Battery Materials: Aluminum Alloy 6063/PC+ABS

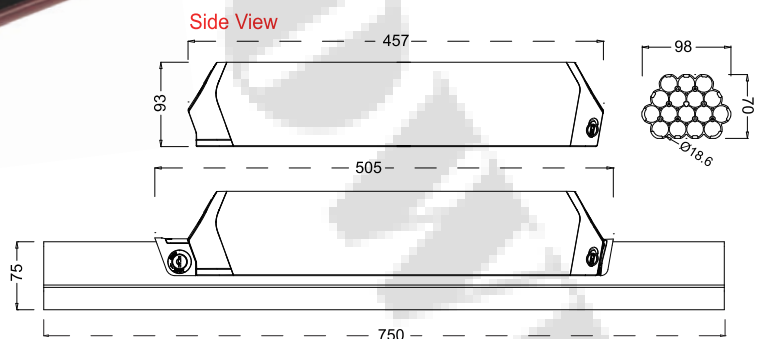
Down Tube Materials: Aluminum Alloy 6061

Dorado-Max7 Series

In-frame Battery Packs



4A fast charger available, refer to P.125



Battery Mounting Position:



RE-TJY7M 劍魚-Max7

Optional: USB Port

Discharge port: 5 Pin

Charge port: DC2.1

Maximum Cells: 18650 80 pcs

LED indicator: 4 LED

Configurations: 10S8P

Rate: 36V: 17.6Ah - 28.0Ah

Battery Materials: Aluminum Alloy 6063/PC+ABS

Down Tube Materials: Aluminum Alloy 6061

In-frame Battery Packs

Dorado-Max8 Series

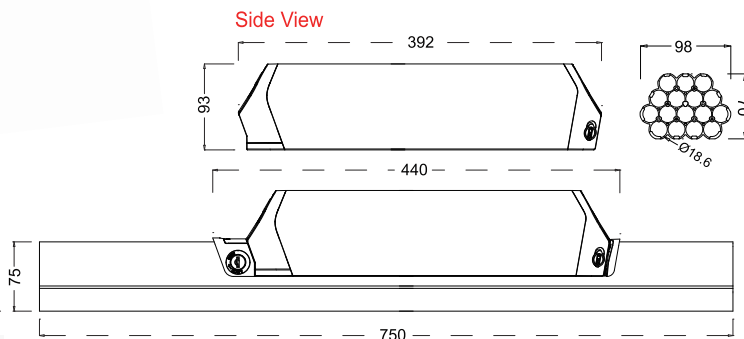


4A fast charger available, refer to P.125

TJY



Battery Mounting Position:



RE-TJY8M 劍魚-Max8

Optional: USB Port

Discharge port: 5 Pin

Charge port: DC2.1

Maximum Cells: 18650 60 pcs

LED indicator: 4 LED

Configurations: 10S6P

Rate: 36V: 13.2Ah - 21.0Ah

Battery Materials: Aluminum Alloy 6063/PC+ABS

Down Tube Materials: Aluminum Alloy 6061

In-frame Battery Packs

Air Bus I Series

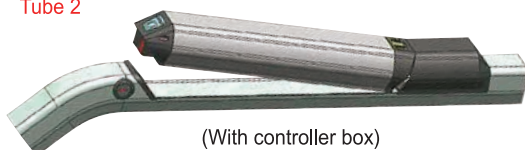


4A fast charger available, refer to P.125

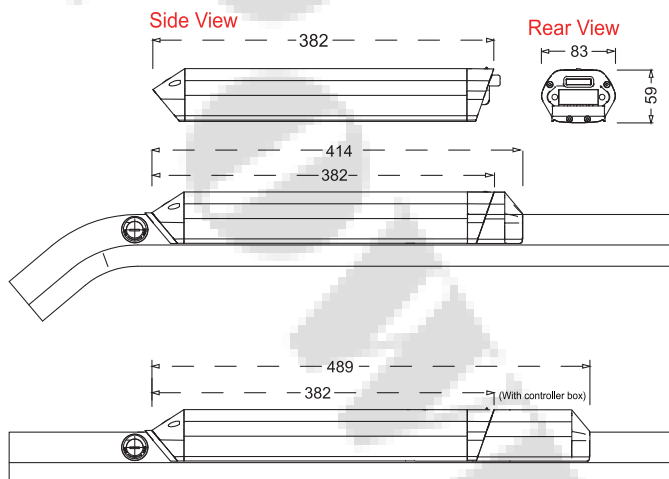
Tube 1



Tube 2



Battery Mounting Position:



HY-TKB1 空中巴士一號

Optional: N/A

Discharge port: 5 Pin

Charge port: DC2.1

Maximum Cells: 18650 50 pcs

LED indicator: 4 LED

Configurations: 10S5P

Rate: 36V: 11.0Ah - 17.5Ah

Battery Materials: Aluminum Alloy 6063/PC+ABS

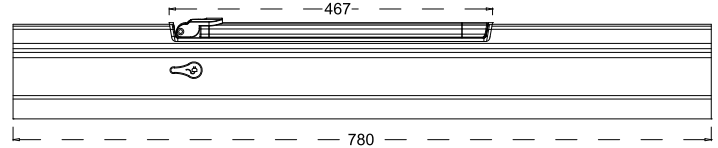
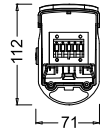
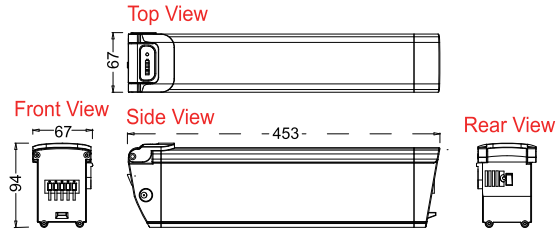
Down Tube Materials: Aluminum Alloy 6061

Lushan I Series

In-frame Battery Packs



4A fast charger available, refer to P.125



Battery Mounting Position:



Down Tube Weight(kg): 2.7

| | |
|---|--|
| SS-TLB1 廬山一號 * Spring Lock | Optional: N/A |
| Discharge port: 5 Pin | Charge port: DC2.1 |
| Maximum Cells: 18650 39/ 40 pcs | LED indicator: 4 LED |
| Configurations: 13S3P/ 10S4P | Rate: 48V: 6.6Ah - 10.5Ah 36V: 8.8Ah - 14.0Ah |
| Battery Materials: Aluminum Alloy 6063/PC+ABS | Down Tube Materials: Aluminum Alloy 6061 |

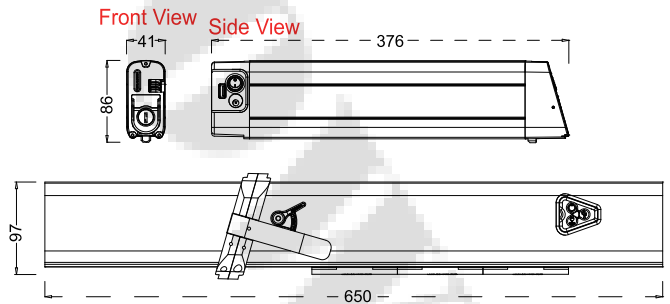
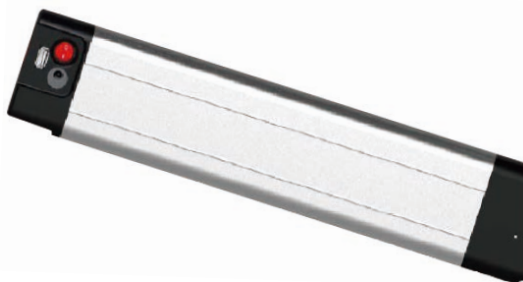
TLR - TLR

Edge I Series

In-frame Battery Packs



4A fast charger available, refer to P.125



| | |
|---|--|
| RE-TLR1 利刃一號 | Optional: USB Port |
| Discharge port: 2 Pin | Charge port: DC2.1 |
| Maximum Cells: 18650 30 pcs | LED indicator: N/A |
| Configurations: 10S3P | Rate: 36V: 6.6Ah - 10.5Ah |
| Battery Materials: Aluminum Alloy 6063/PC+ABS | Down Tube Materials: Aluminum Alloy 6061 |

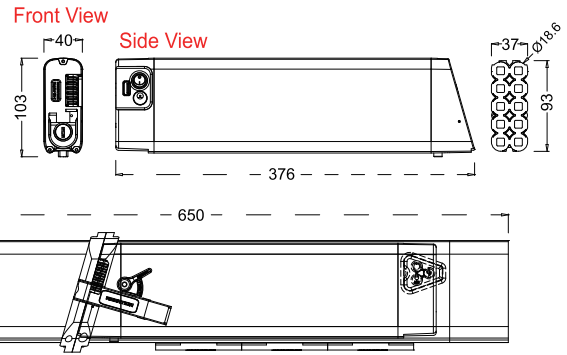
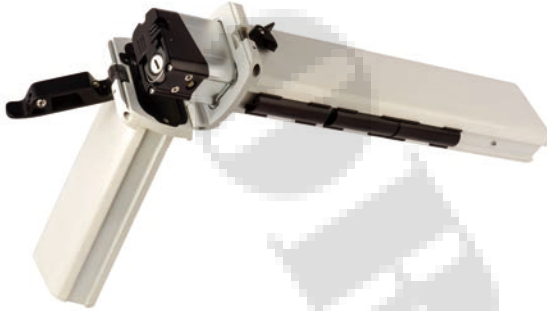
In-frame Battery Packs

Rapier I Series



4A fast charger available, refer to P.125

TLJ - TLR



RE-TLJ1 利劍一號

Discharge port: 6 Pin

Maximum Cells: 18650 40 pcs

Configurations: 10S4P

Battery Materials: Aluminum Alloy 6063/PC+ABS

Optional: USB Port

Charge port: DC2.1

LED indicator: N/A

Rate: 36V: 8.8Ah - 14.0Ah

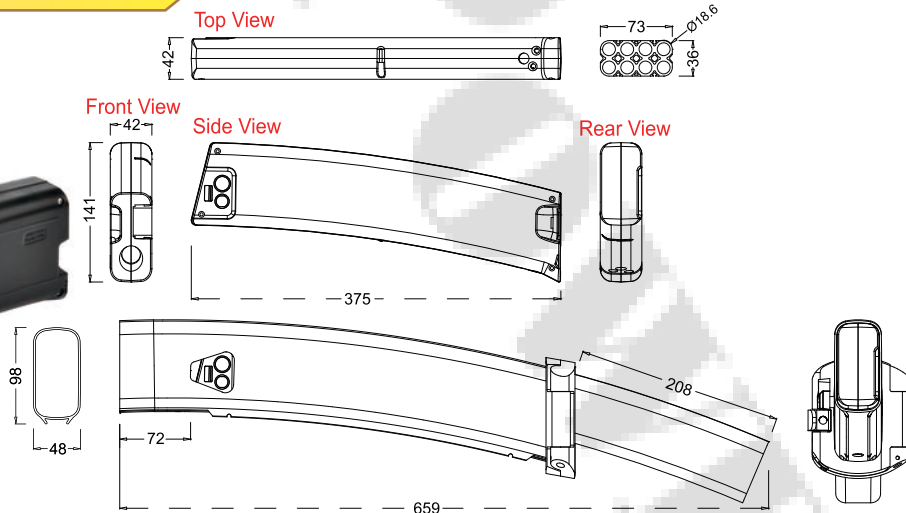
Down Tube Materials: Aluminum Alloy 6061

In-frame Battery Packs

Blade I Series



4A fast charger available, refer to P.125



SS-TLR1 獵刀一號

Discharge port: 5 Pin

Maximum Cells: 18650 30 pcs

Configurations: 10S3P

Battery Materials: Aluminum Alloy 6063/PC+ABS

Optional: USB Port

Charge port: DC2.1

LED indicator: N/A

Rate: 36V: 6.6Ah - 10.5Ah

Down Tube Materials: Aluminum Alloy 6061

Razer I Series

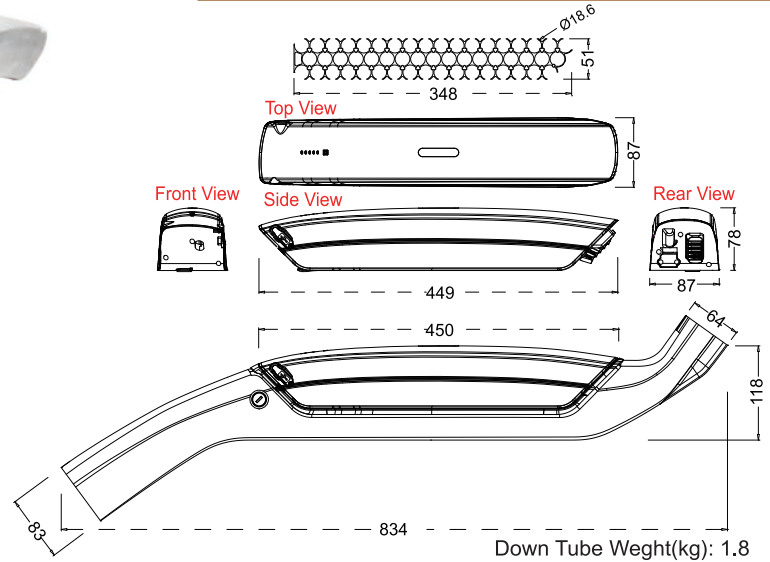
In-frame Battery Packs



Battery Mounting Position:



4A fast charger available, refer to P.125



Down Tube Weight(kg): 1.8

TL5 - TMY

YL-TLS1 雷蛇一號 * *Spring Lock*

Optional: USB Port

Discharge port: 5 Pin

Charge port: DC2.1

Maximum Cells: 18650 52/50 pcs

LED indicator: 5 LED

Configurations: 13S4P / 10S5P

Rate: 48V: 8.8Ah - 14.0Ah
36V: 11.0Ah - 17.5Ah

Battery Materials: Aluminum Alloy 6063/PC+ABS

Down Tube Materials: Aluminum Alloy 6061

Eel Pro1 Series

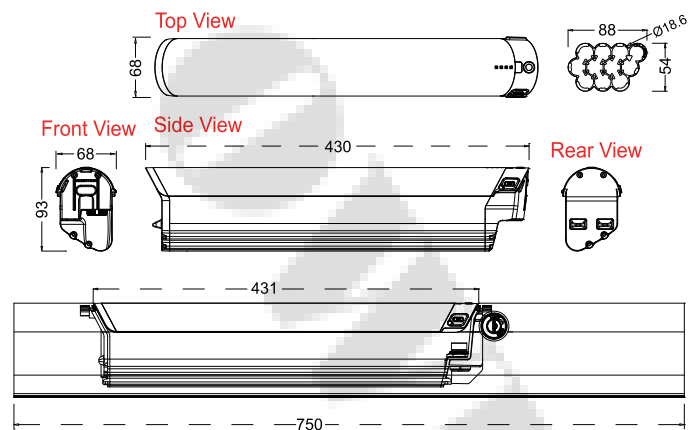
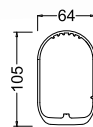
In-frame Battery Packs



4A fast charger available, refer to P.125



Battery Mounting Position:



RE-TMY1P 鰻魚 Pro1

Optional: N/A

Discharge port: 6 Pin

Charge port: DC2.1

Maximum Cells: 18650 52/ 50 pcs

LED indicator: Single LED (Tricolor)

Configurations: 13S4P/ 10S5P

Rate: 48V: 8.8Ah - 14.0Ah
36V: 11.0Ah - 17.5Ah

Battery Materials: Aluminum Alloy 6063/PC+ABS

Down Tube Materials: Aluminum Alloy 6061

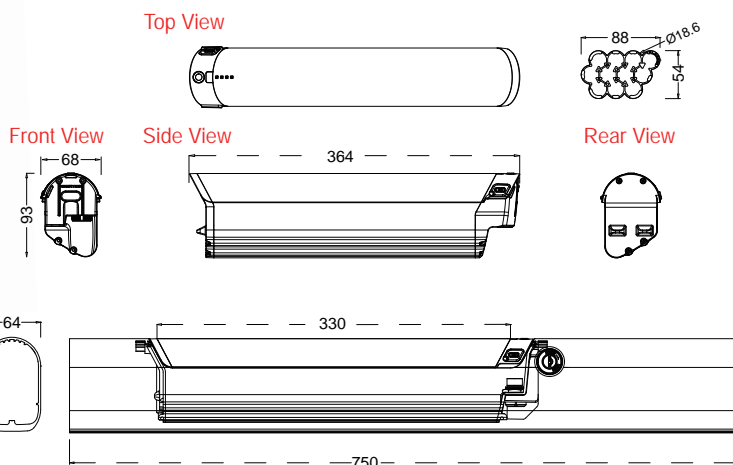
In-frame Battery Packs

Eel Pro2 Series



4A fast charger available, refer to P.125

TMY



Battery Mounting Position:



RE-TMY2P 鰻魚 Pro2

Optional: N/A

Discharge port: 6 Pin

Charge port: DC2.1 Opt. 3Pin high current

Maximum Cells: 18650 40 pcs

LED indicator: Single LED (Tricolor)

Configurations: 10S4P

Rate: 36V: 8.8Ah - 14.0Ah

Battery Materials: Aluminum Alloy 6063/PC+ABS

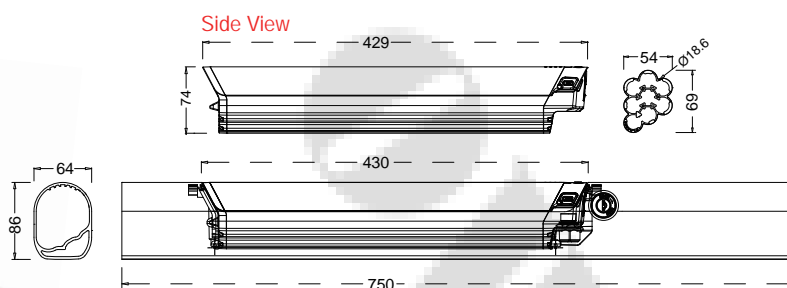
Down Tube Materials: Aluminum Alloy 6061

In-frame Battery Packs

Eel Mini1 Series



4A fast charger available, refer to P.125



Battery Mounting Position:



Down Tube Weight(kg): 1.6

RE-TMY1S 鰻魚 Mini1

Optional: N/A

Discharge port: 6 Pin

Charge port: DC2.1

Maximum Cells: 18650 40 pcs

LED indicator: Single LED (Tricolor)

Configurations: 10S4P

Rate: 36V: 8.8Ah - 14.0Ah

Battery Materials: Aluminum Alloy 6063/PC+ABS

Down Tube Materials: Aluminum Alloy 6061

Eel Mini2 Series

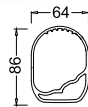
In-frame Battery Packs



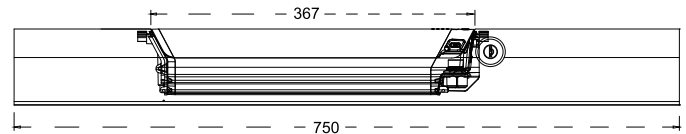
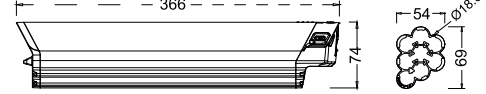
4A fast charger available, refer to P.125



Battery Mounting Position:



Side View



Down Tube Weight(kg): 1.6

RE-TMY2S 鰻魚 Mini2

Optional: N/A

Discharge port: 6 Pin

Charge port: DC2.1

Maximum Cells: 18650 30 pcs

LED indicator: Single LED (Tricolor)

Configurations: 10S3P

Rate: 36V: 6.6Ah - 10.5Ah

Battery Materials: Aluminum Alloy 6063/PC+ABS

Down Tube Materials: Aluminum Alloy 6061

TMY

Eel Micro-U Series

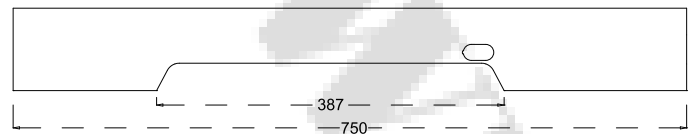
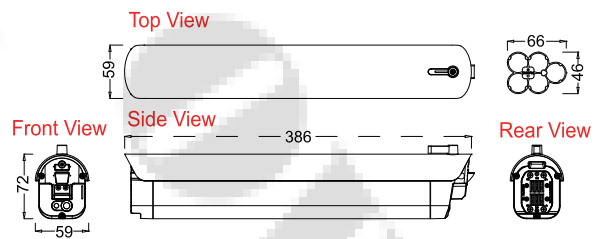
In-frame Battery Packs



4A fast charger available, refer to P.125



Battery Mounting Position:



RE-TMYU 鰻魚 Micro-U

Optional: N/A

Discharge port: 6 Pin

Charge port: DC2.1

Maximum Cells: 21700 20 pcs

LED indicator: Single LED (Tricolor)

Configurations: 10S2P

Rate: 36V: 10.0Ah

Battery Materials: Aluminum Alloy 6063/PC+ABS

Down Tube Materials: Aluminum Alloy 6061

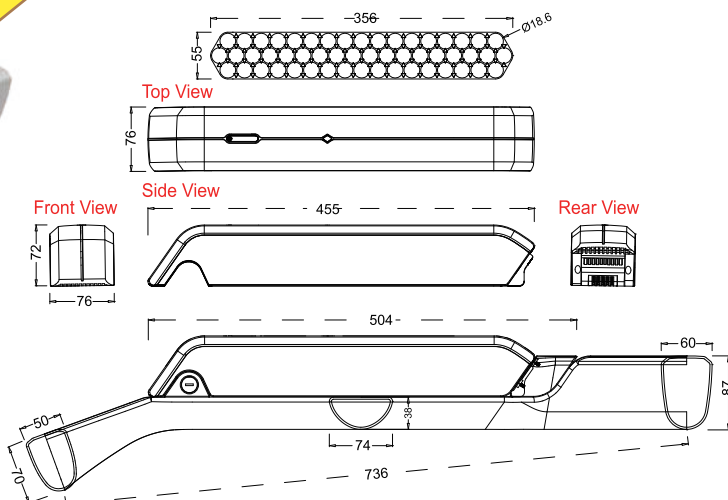
In-frame Battery Packs

Nan Hai I Series



4A fast charger available, refer to P.125

TNH



Battery Mounting Position:



SS-TNH1 南海一號 * Spring Lock

Optional: N/A

Discharge port: 5 Pin

Charge port: DC2.1

Maximum Cells: 18650 52/ 50 pcs

LED indicator: 5 LED

Configurations: 13S4P/ 10S5P

Rate: 48V: 8.8Ah - 14.0Ah
36V: 11.0Ah - 17.5Ah

Battery Materials: Aluminum Alloy 6063/PC+ABS

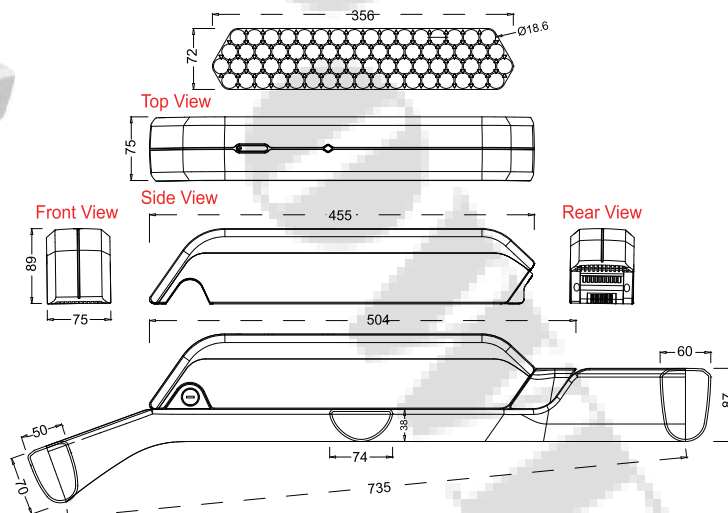
Down Tube Materials: Aluminum Alloy 6061

In-frame Battery Packs

Nan Hai II Series



4A fast charger available, refer to P.125



Battery Mounting Position:



SS-TNH2 南海二號 * Spring Lock

Optional: N/A

Discharge port: 5 Pin

Charge port: DC2.1

Maximum Cells: 18650 65/ 60 pcs

LED indicator: 5 LED

Configurations: 13S5P/ 10S6P

Rate: 48V: 11.0Ah - 17.5Ah
36V: 13.2Ah - 21.0Ah

Battery Materials: Aluminum Alloy 6063/PC+ABS

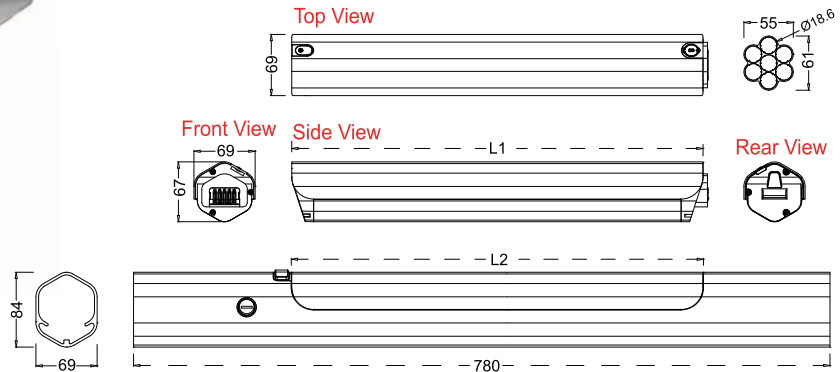
Down Tube Materials: Aluminum Alloy 6061

South Pacific I Series

In-frame Battery Packs



4A fast charger available, refer to P.125



Battery Mounting Position:



| | Item | 40cell(18650) | 30cell(18650) |
|----|---------------|---------------|---------------|
| L1 | Aluminum case | L1=460.6mm | L1=393.6mm |
| L2 | Tube cutting | L2=461.6mm | L2=394.6mm |

SS-TNY1 南洋一號

Optional: N/A

Discharge port: 5 Pin

Charge port: DC2.1

Maximum Cells: 18650 40/ 30 pcs

LED indicator: Single LED (Tricolor)

Configurations: 10S4P/ 10S3P

Rate: 36V: 8.8Ah - 14.0Ah/ 6.6Ah- 10.5Ah

Battery Materials: Aluminum Alloy 6063/PC+ABS

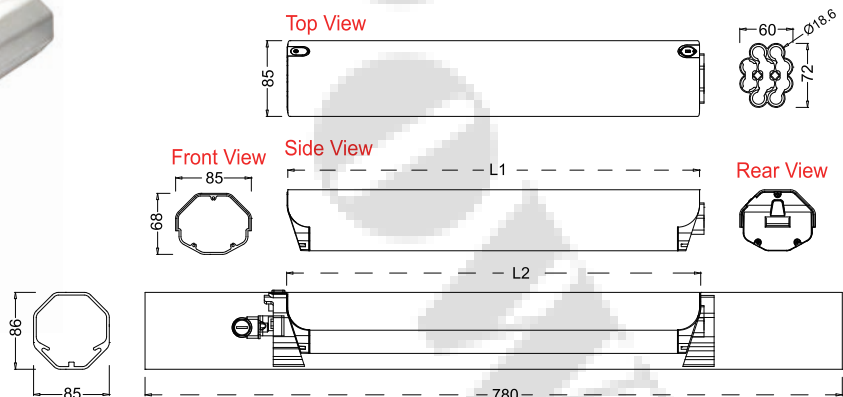
Down Tube Materials: Aluminum Alloy 6061

South Pacific II Series

In-frame Battery Packs



4A fast charger available, refer to P.125



Battery Mounting Position:



| | Item | 60cell(18650) | 50cell(18650) |
|----|---------------|---------------|---------------|
| L1 | Aluminum case | L1=460.6mm | L1=393.6mm |
| L2 | Tube cutting | L2=461.6mm | L2=394.6mm |

SS-TNY2 南洋二號 (YL-TTP2)

Optional: N/A

Discharge port: 5 Pin

Charge port: DC2.1

Maximum Cells: 18650 60/ 50 pcs

LED indicator: Single LED (Tricolor)

Configurations: 10S6P/ 10S5P

Rate: 36V: 13.2Ah - 21.0Ah/ 11.0Ah - 17.5Ah

Battery Materials: Aluminum Alloy 6063/PC+ABS

Down Tube Materials: Aluminum Alloy 6061

In-frame Battery Packs

South Pacific III Series

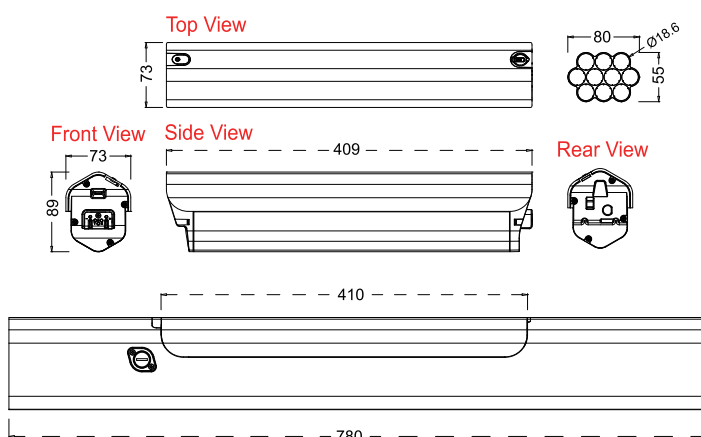
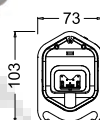


4A fast charger available, refer to P.125

TNY



Battery Mounting Position:



SS-TNY3 南洋三號加厚

Optional: N/A

Discharge port: 6 Pin

Charge port: DC2.1

Maximum Cells: 18650 50 pcs

LED indicator: Single LED (Tricolor)

Configurations: 10S5P

Rate: 36V: 11.0Ah - 17.5Ah

Battery Materials: Aluminum Alloy 6063/PC+ABS

Down Tube Materials: Aluminum Alloy 6061

In-frame Battery Packs

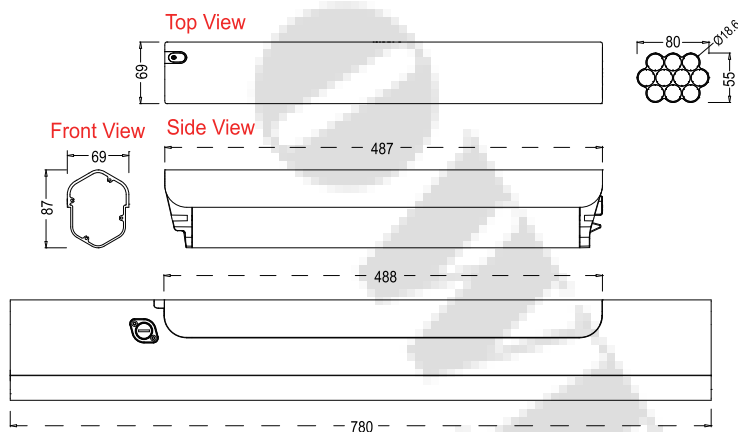
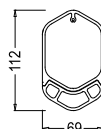
South Pacific III-HL Series



4A fast charger available, refer to P.125



Battery Mounting Position:



SS-TNY3HL 南洋三號雙層

Optional: N/A

Discharge port: 6 Pin

Charge port: DC2.1

Maximum Cells: 18650 60 pcs

LED indicator: Single LED (Tricolor)

Configurations: 10S6P

Rate: 36V: 13.2Ah - 21.0Ah

Battery Materials: Aluminum Alloy 6063/PC+ABS

Down Tube Materials: Aluminum Alloy 6061

South Pacific III(Dual Tubes) Series

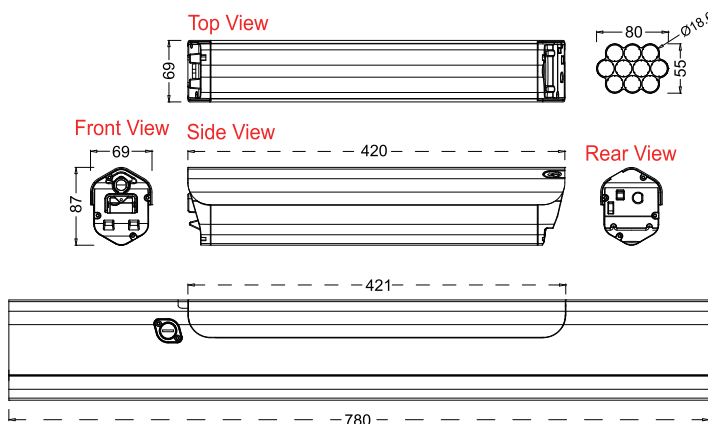
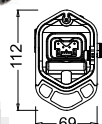
In-frame Battery Packs



4A fast charger available, refer to P.125



Battery Mounting Position:



SS-TNY3H 南洋三號雙層

Discharge port: 6 Pin

Maximum Cells: 18650 50 pcs

Configurations: 10S5P

Battery Materials: Aluminum Alloy 6063/PC+ABS

Optional: N/A

Charge port: DC2.1

LED indicator: Single LED (Tricolor)

Rate: 36V: 11.0Ah - 17.5Ah

Down Tube Materials: Aluminum Alloy 6061

TNY

South Pacific III-HS Series

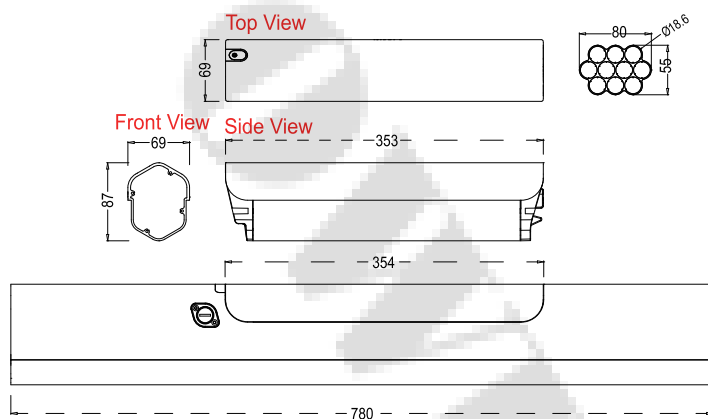
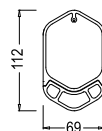
In-frame Battery Packs



4A fast charger available, refer to P.125



Battery Mounting Position:



SS-TNY3HS 南洋三號雙層

Discharge port: 6 Pin

Maximum Cells: 18650 40 pcs

Configurations: 10S4P

Battery Materials: Aluminum Alloy 6063/PC+ABS

Optional: N/A

Charge port: DC2.1

LED indicator: Single LED (Tricolor)

Rate: 36V: 8.8Ah - 14.0Ah

Down Tube Materials: Aluminum Alloy 6061

In-frame Battery Packs

South Pacific IV Series

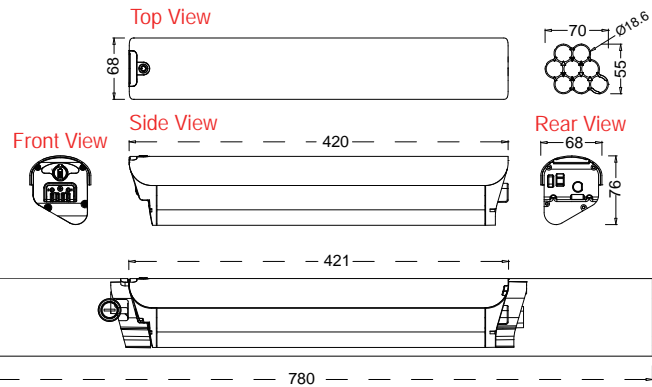
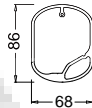
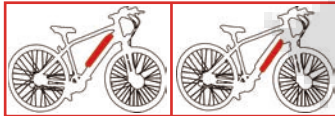


4A fast charger available, refer to P.125

TNY



Battery Mounting Position:



SS-TNY4 南洋四號

Optional: N/A

Discharge port: 6 Pin

Charge port: DC2.1

Maximum Cells: 18650 40 pcs

LED indicator: Single LED (Tricolor)

Configurations: 10S4P

Rate: 36V: 8.8Ah - 14.0Ah

Battery Materials: Aluminum Alloy 6063/PC+ABS

Down Tube Materials: Aluminum Alloy 6061

In-frame Battery Packs

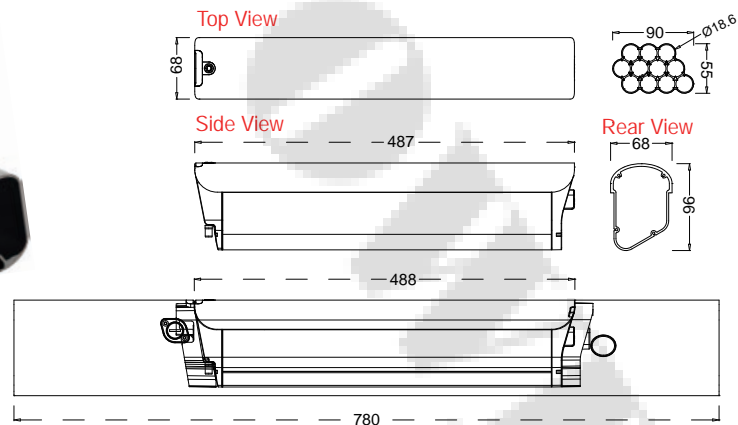
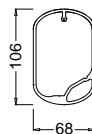
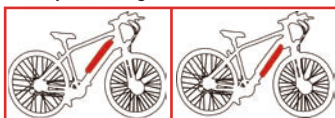
South Pacific IV-Pro Series



4A fast charger available, refer to P.125



Battery Mounting Position:



SS-TNY4PL 南洋四號 Pro

Optional: N/A

Discharge port: 6 Pin

Charge port: DC2.1

Maximum Cells: 18650 65/60 pcs

LED indicator: Single LED (Tricolor)

Configurations: 13S5P/10S6P

Rate: 48V: 11.0Ah - 17.5Ah
36V: 13.2Ah - 21.0Ah

Battery Materials: Aluminum Alloy 6063/PC+ABS

Down Tube Materials: Aluminum Alloy 6061

South Pacific IV-Pro Series

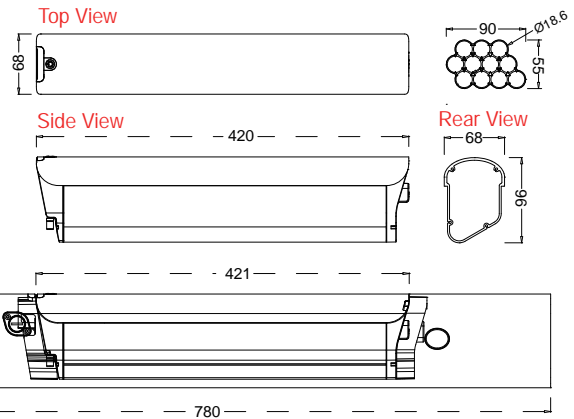
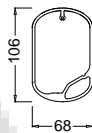
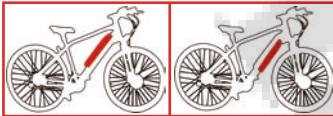
In-frame Battery Packs



4A fast charger available, refer to P.125



Battery Mounting Position:



TNY - TQL

| | |
|---|---|
| SS-TNY4P 南洋四號 Pro | Optional: N/A |
| Discharge port: 6 Pin | Charge port: DC2.1 |
| Maximum Cells: 18650 52/ 50 pcs | LED indicator: Single LED (Tricolor) |
| Configurations: 13S4P/ 10S5P | Rate: 48V: 8.8Ah - 14.0Ah 36V: 11.0Ah - 17.5Ah |
| Battery Materials: Aluminum Alloy 6063/PC+ABS | Down Tube Materials: Aluminum Alloy 6061 |

Kirin I Series

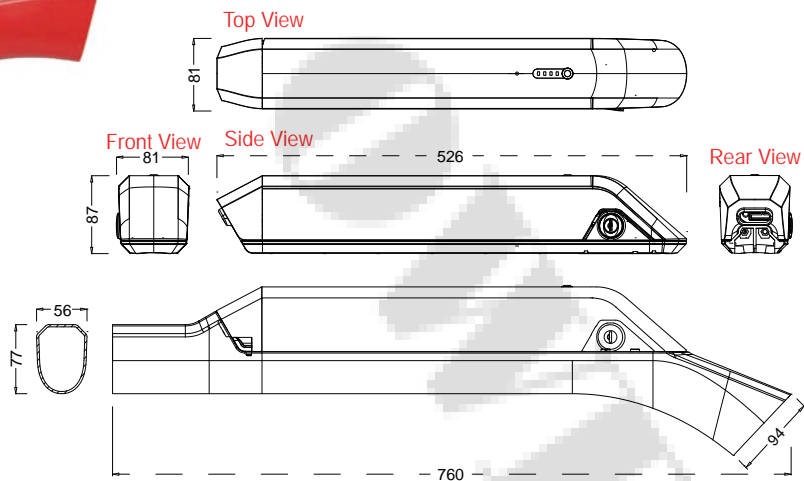
In-frame Battery Packs



4A fast charger available, refer to P.125



Battery Mounting Position:



| | |
|---------------------------------|---|
| RE-TQL1 麒麟一號 | Optional: N/A |
| Discharge port: 6 Pin | Charge port: DC2.1 |
| Maximum Cells: 18650 52/ 50 pcs | LED indicator: 4 LED |
| Configurations: 13S4P/ 10S5P | Rate: 48V: 8.8Ah - 14.0Ah 36V: 11.0Ah - 17.5Ah |
| Battery Materials: PC+ABS | Down Tube Materials: Aluminum Alloy 6061 |

In-frame Battery Packs

Kirin II Series

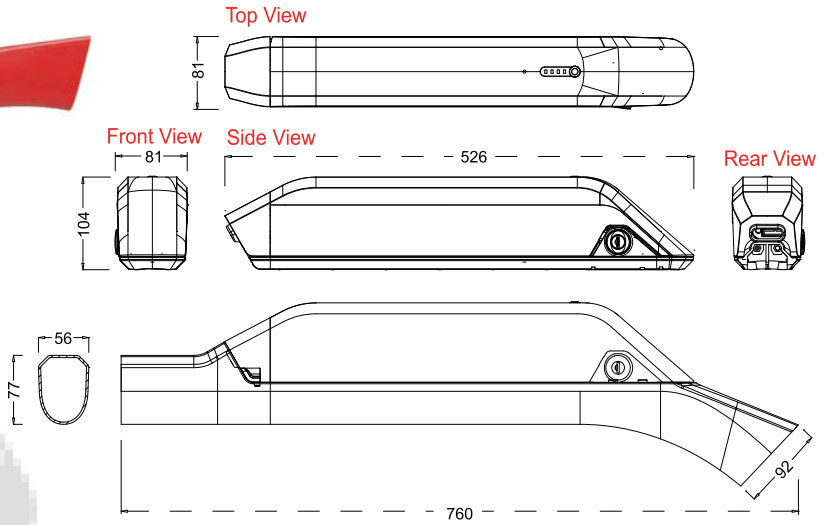


4A fast charger available, refer to P.125

TQL - TQN



Battery Mounting Position:



RE-TQL2 麒麟二號

Optional: N/A

Discharge port: 6 Pin

Charge port: DC2.1

Maximum Cells: 18650 65/ 70 pcs

LED indicator: 4 LED

Configurations: 13S5P/ 10S7P

Rate: 48V: 11.0Ah - 17.5Ah
36V: 15.4Ah - 24.5Ah

Battery Materials: PC+ABS

Down Tube Materials: Aluminum Alloy 6061

In-frame Battery Packs

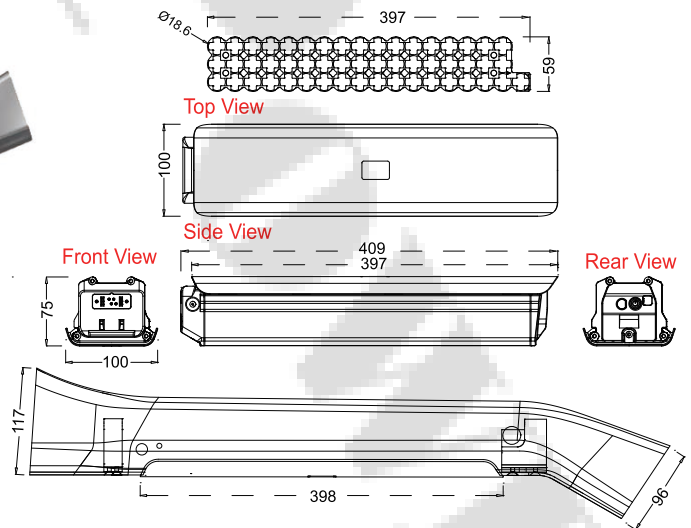
Youth I Series



4A fast charger available, refer to P.125



Battery Mounting Position:



SY-TQN1 青年一號

Optional: N/A

Discharge port: 6 Pin

Charge port: DC2.1

Maximum Cells: 18650 52/ 50pcs

LED indicator: Single LED (Tricolor)

Configurations: 13S4P/ 10S5P

Rate: 48V: 8.8Ah - 14.0Ah
36V: 11.0Ah - 17.5Ah

Battery Materials: Aluminum Alloy 6063/PC+ABS

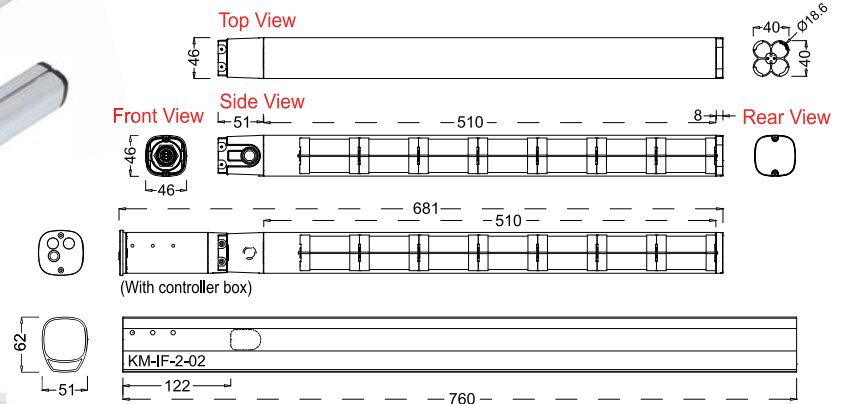
Down Tube Materials: Aluminum Alloy 6061

Dragonfly II Series

In-frame Battery Packs



4A fast charger available, refer to P.125



TQT

RE-TQT2 蜻蜓二號

Optional: N/A

Discharge port: 2 Pin/ 6 Pin

Charge port: DC2.5

Maximum Cells: 18650 28 pcs

LED indicator: N/A

Configurations: 7S4P

Rate: 24V: 8.8Ah - 14.0Ah

Battery Materials: Aluminum Alloy 6063/PC+ABS

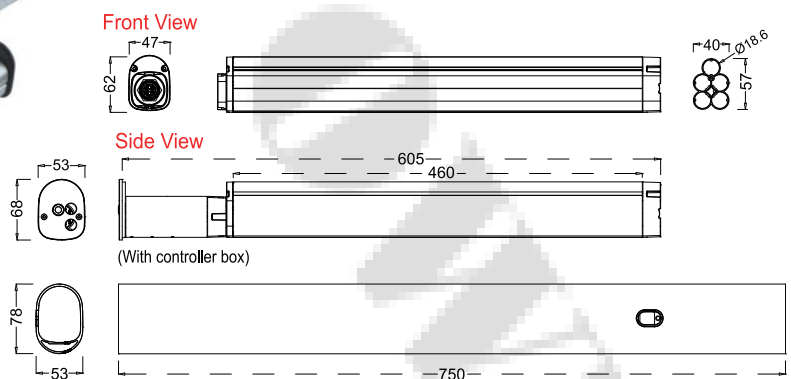
Down Tube Materials: Aluminum Alloy 6061

Dragonfly III Series

In-frame Battery Packs



4A fast charger available, refer to P.125



RE-TQT3 蜻蜓三號

Optional: N/A

Discharge port: 2 Pin/ 6 Pin

Charge port: DC2.1/ DC 2.5

Maximum Cells: 18650 30/ 28 pcs

LED indicator: N/A

Configurations: 10S3P/ 7S4P

Rate: 36V: 6.6Ah - 10.5Ah
24V: 8.8Ah - 14.0Ah

Battery Materials: Aluminum Alloy 6063/PC+ABS

Down Tube Materials: Aluminum Alloy 6061

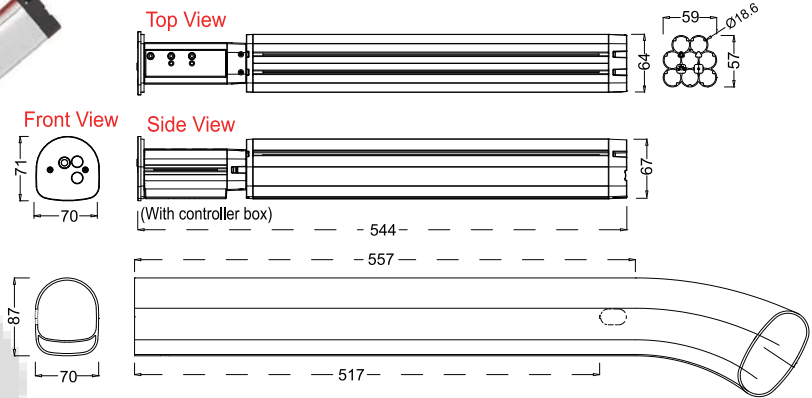
In-frame Battery Packs

Dragonfly IV Series



4A fast charger available, refer to P.125

TNY - TQL



RE-TQT4 蜻蜓四號

Optional: N/A

Discharge port: 2 Pin/ 6 Pin

Charge port: DC2.1

Maximum Cells: 18650 40 pcs

LED indicator: N/A

Configurations: 10S4P

Rate: 36V: 8.8Ah - 14.0Ah

Battery Materials: Aluminum Alloy 6063/PC+ABS

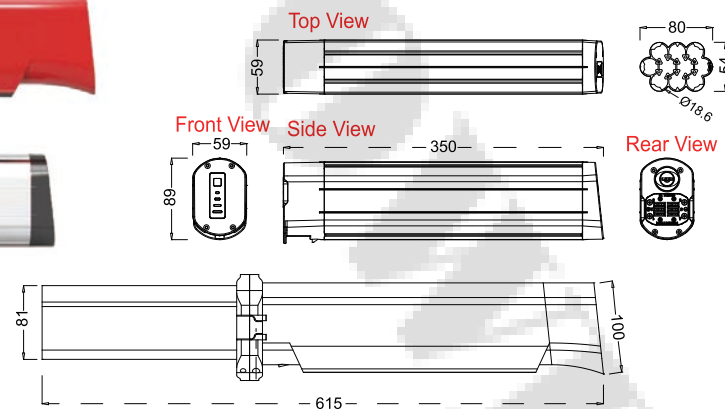
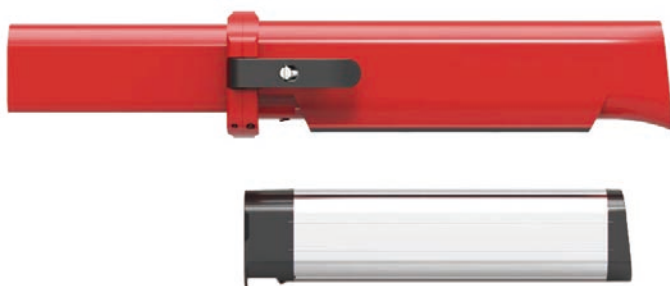
Down Tube Materials: Aluminum Alloy 6061

In-frame Battery Packs

Coral I Series



4A fast charger available, refer to P.125



RE-TSH1 珊瑚一號

Optional: N/A

Discharge port: 6 Pin

Charge port: DC2.1

Maximum Cells: 18650 40 pcs

LED indicator: 4 LED

Configurations: 10S4P

Rate: 36V: 8.8Ah - 14.0Ah

Battery Materials: Aluminum Alloy 6063/PC+ABS

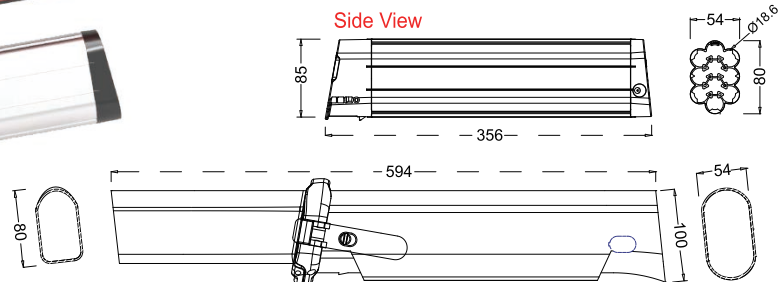
Down Tube Materials: Aluminum Alloy 6061

Coral II Series

In-frame Battery Packs



4A fast charger available, refer to P.125



TSH

RE-TSH2 珊瑚二號

Discharge port: 6 Pin

Maximum Cells: 18650 40 pcs

Configurations: 10S4P

Battery Materials: Aluminum Alloy 6063/PC+ABS

Optional: N/A

Charge port: DC2.1

LED indicator: 4 LED

Rate: 36V: 8.8Ah - 14.0Ah

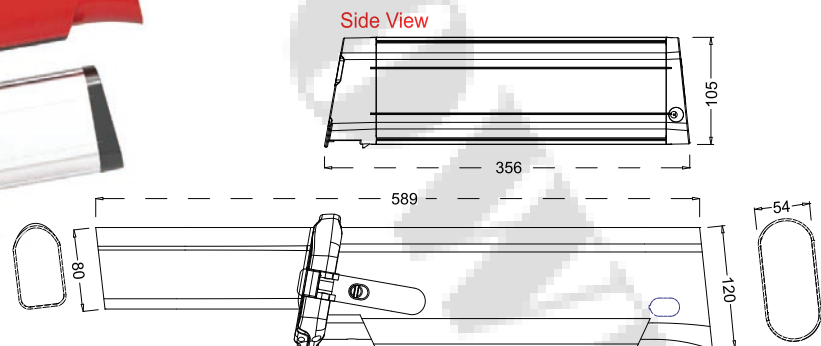
Down Tube Materials: Aluminum Alloy 6061

Coral III Series

In-frame Battery Packs



4A fast charger available, refer to P.125



RE-TSH3 珊瑚三號

Discharge port: 6 Pin

Maximum Cells: 18650 52/ 50 pcs

Configurations: 13S4P/ 10S5P

Battery Materials: Aluminum Alloy 6063/PC+ABS

Optional: N/A

Charge port: DC2.1

LED indicator: 4 LED

Rate: 48V: 8.8Ah - 14.0Ah
36V: 11.0Ah - 17.5Ah

Down Tube Materials: Aluminum Alloy 6061

In-frame Battery Packs

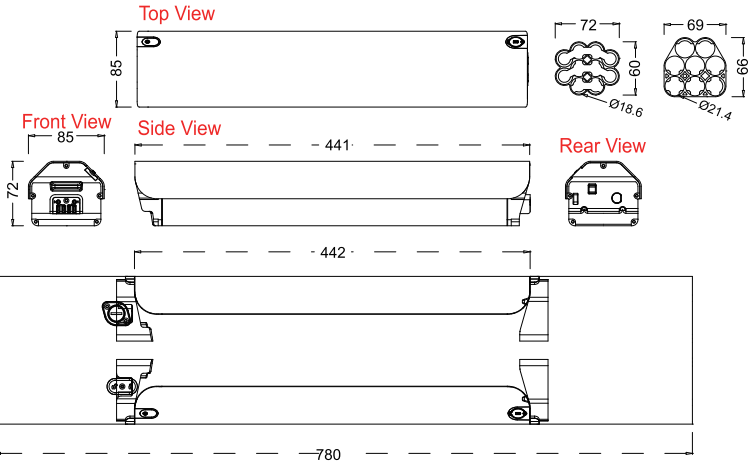
Dual Loong I Series



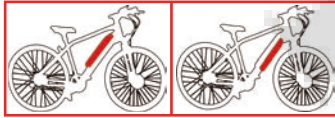
4A fast charger available, refer to P.125

TSB - TSL

21700 cell available



Battery Mounting Position:



SS-TSB1 雙龍一號

Optional: N/A

Discharge port: 6 Pin

Charge port: DC2.1

Maximum Cells: 18650 50pcs*2 & 21700 40pcs*2

LED indicator: Single LED (Tricolor)

Configurations: 10S5P & 10S4P

Rate: 36V: 11.0Ah - 17.5Ah & 20.0Ah

Battery Materials: Aluminum Alloy 6063/PC+ABS

Down Tube Materials: Aluminum Alloy 6061

In-frame Battery Packs

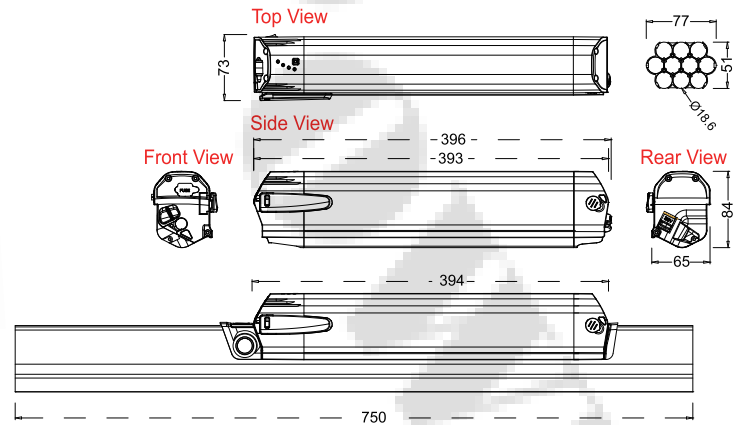
Dragon I Series



4A fast charger available, refer to P.125



Battery Mounting Position:



Down Tube Weight(kg): 1.9

YL-TSL1 神龍一號 (ID-Pro 40cell) * Spring Lock

Optional: Handle Bar & USB Port

Discharge port: 5 Pin

Charge port: DC2.1

Maximum Cells: 18650 39/ 40 pcs

LED indicator: 4 LED

Configurations: 13S3P/ 10S4P

Rate: 48V: 6.6Ah - 10Ah
36V: 8.8Ah - 14.0Ah

Battery Materials: Aluminum Alloy 6063/PC+ABS

Down Tube Materials: Aluminum Alloy 6061

Dragon II Series

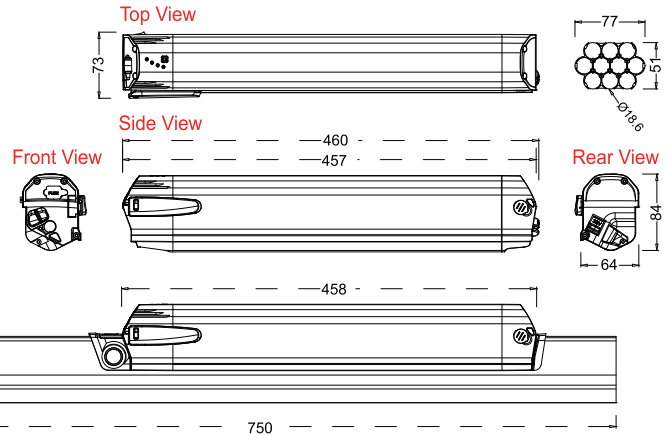
In-frame Battery Packs



Battery Mounting Position:



4A fast charger available, refer to P.125



Down Tube Weight(kg): 1.9

YL-TSL2 神龍二號 (ID-Pro 50cell) * Spring Lock

Optional: Handle Bar & USB Port

Discharge port: 5 Pin

Charge port: DC2.1

Maximum Cells: 18650 50 pcs

LED indicator: 4 LED

Configurations: 10S5P

Rate: 36V: 11.0Ah - 17.5Ah

Battery Materials: Aluminum Alloy 6063/PC+ABS

Down Tube Materials: Aluminum Alloy 6061

TSL

Dragon III Series

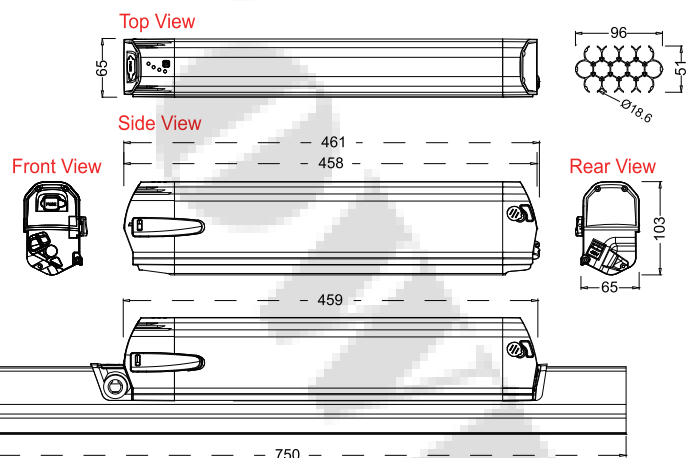
In-frame Battery Packs



Battery Mounting Position:



4A fast charger available, refer to P.125



Down Tube Weight(kg): 1.9

YL-TSL3 神龍三號 (ID-Plus 65cell) * Spring Lock

Optional: Handle Bar & USB Port

Discharge port: 5 Pin

Charge port: DC2.1

Maximum Cells: 18650 65/ 50 pcs

LED indicator: 4 LED

Configurations: 13S5P/ 10S5P

Rate: 48V: 11.0Ah - 17.5Ah
36V: 11.0Ah - 17.5Ah

Battery Materials: Aluminum Alloy 6063/PC+ABS

Down Tube Materials: Aluminum Alloy 6061

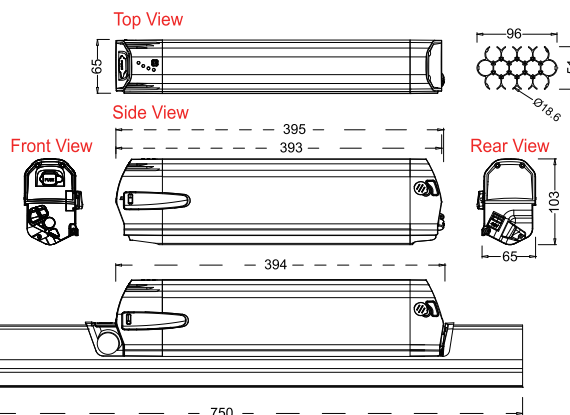
In-frame Battery Packs

Dragon IV Series



4A fast charger available, refer to P.125

TSL - TSN



Battery Mounting Position:



Down Tube Weight(kg): 1.9

YL-TSL4 神龍四號 (ID-Plus 52cell) * Spring Lock

Optional: Handle Bar & USB Port

Discharge port: 5 Pin

Charge port: DC2.1

Maximum Cells: 18650 52/ 50 pcs

LED indicator: 4 LED

Configurations: 13S4P/ 10S5P

Rate: 48V: 8.8Ah - 14.0Ah
36V: 11.0Ah - 17.5Ah

Battery Materials: Aluminum Alloy 6063/PC+ABS

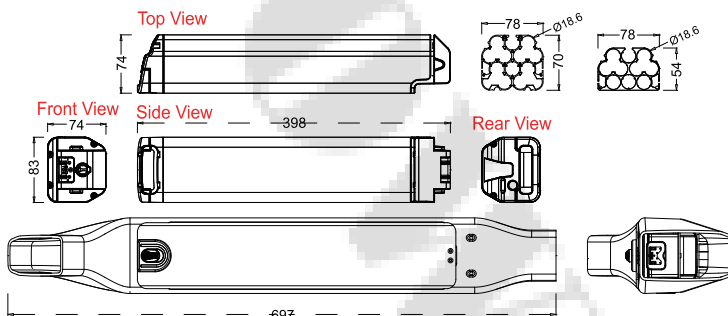
Down Tube Materials: Aluminum Alloy 6061

In-frame Battery Packs

Sony I Series



4A fast charger available, refer to P.125



Battery Mounting Position:



SS-TSN1 索尼一號 * Spring Lock

Optional: N/A

Discharge port: 7 Pin

Charge port: DC2.1

Maximum Cells: 18650 65/ 60 pcs

LED indicator: N/A

Configurations: 13S5P/ 10S6P

Rate: 48V: 11.0Ah - 17.5Ah
36V: 13.2Ah - 21.0Ah

Battery Materials: Aluminum Alloy 6063/PC+ABS

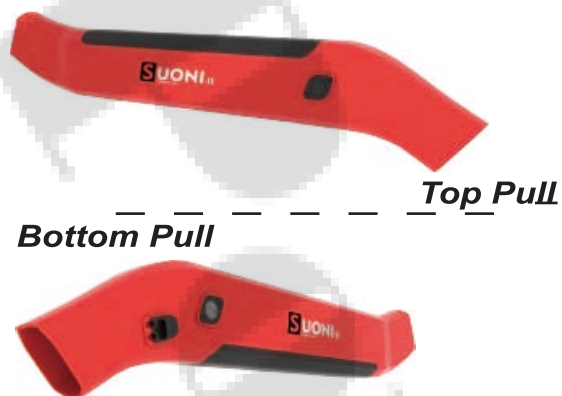
Down Tube Materials: Aluminum Alloy 6061

Sony II Series

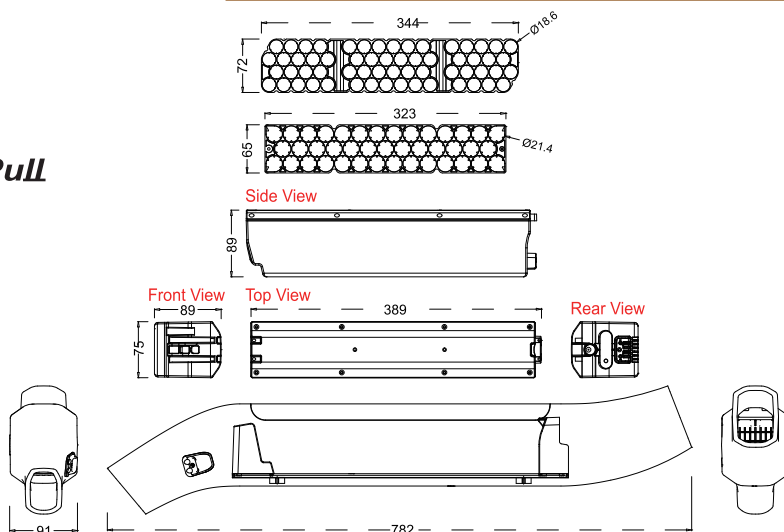
In-frame Battery Packs



4A fast charger available, refer to P.125



Battery Mounting Position:



TSN - TTE

SS-TSN2 索尼二號

Optional: N/A

Discharge port: 6 Pin

Charge port: DC2.1

Maximum Cells: 18650 60 pcs & 21700 40 pcs

LED indicator: N/A

Configurations: 10S6P & 10S4P

Rate: 36V: 13.2Ah - 21.0Ah & 20.0Ah

Battery Materials: Aluminum Alloy 6063/PC+ABS

Down Tube Materials: Aluminum Alloy 6061

Swan II Series

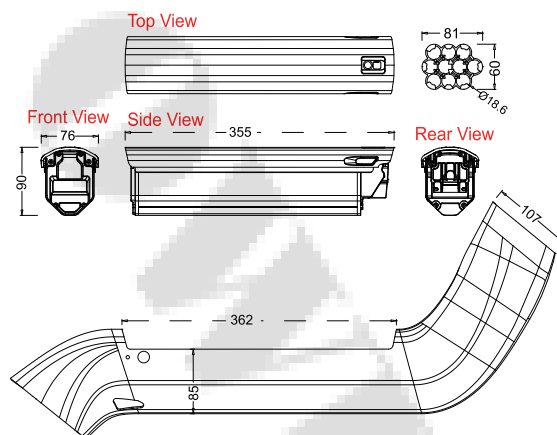
In-frame Battery Packs



4A fast charger available, refer to P.125



Battery Mounting Position:



SY-TTE2 天鵝二號

NEW

Optional: N/A

Discharge port: 6 Pin

Charge port: DC2.1

Maximum Cells: 18650 40 pcs

LED indicator: Single LED (Tricolor)

Configurations: 10S4P

Rate: 36V: 8.8Ah - 14.0Ah

Battery Materials: Aluminum Alloy 6063/PC+ABS

Down Tube Materials: Aluminum Alloy 6061

In-frame Battery Packs

Tian Gong VI Series

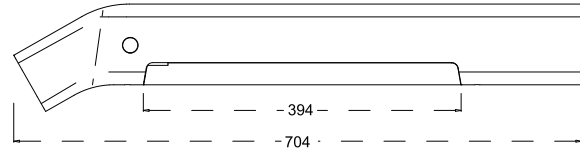
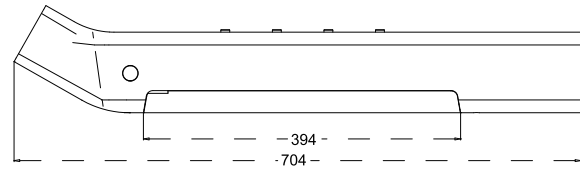
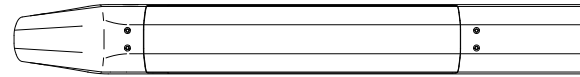
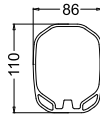
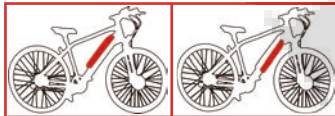


4A fast charger available, refer to P.125

TTG



Battery Mounting Position:



HY-TTG6 天宮六號

Optional: N/A

Discharge port: 5 Pin

Charge port: DC2.1

Maximum Cells: 21700 39/ 40 pcs

LED indicator: 4 LED

Configurations: 13S3P/ 10S4P

Rate: 48V: 15.0Ah
36V: 20.0Ah

Battery Materials: Aluminum Alloy 6063/PC+ABS

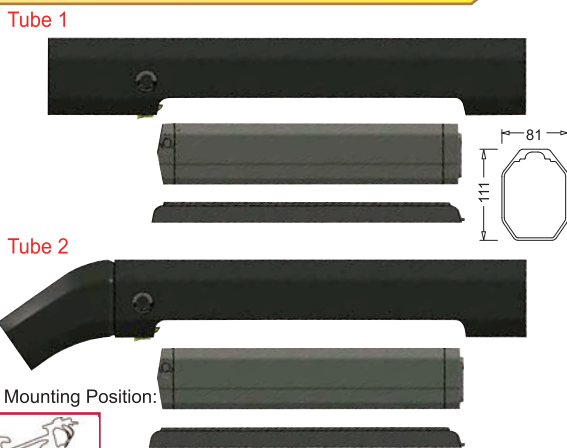
Down Tube Materials: Aluminum Alloy 6061

In-frame Battery Packs

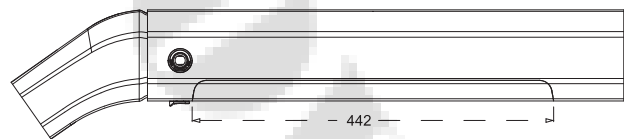
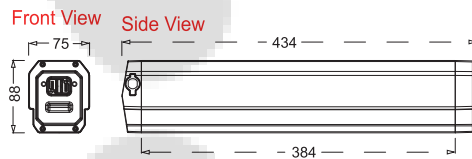
Tian Gong VIII Series



4A fast charger available, refer to P.125



Battery Mounting Position:



HY-TTG8 天宮八號

Optional: N/A

Discharge port: 5 Pin

Charge port: DC2.1

Maximum Cells: 18650 52/ 50 pcs

LED indicator: 4 LED

Configurations: 13S4P/ 10S5P

Rate: 48V: 8.8Ah - 14.0Ah
36V: 11.0Ah - 17.5Ah

Battery Materials: Aluminum Alloy 6063/PC+ABS

Down Tube Materials: Aluminum Alloy 6061

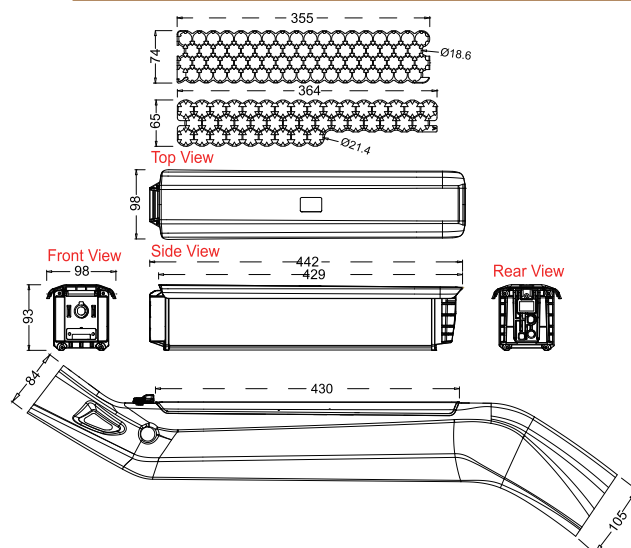
Pathfinder I Series

In-frame Battery Packs

21700 cell available



4A fast charger available, refer to P.125



Battery Mounting Position:



SY-TTL1 探路者一號

Optional: N/A

Discharge port: 5 Pin

Charge port: DC2.1

Maximum Cells: 21700 40 pcs & 18650 70 pcs

LED indicator: Single LED (Tricolor)

Configurations: 10S4P & 10S7P

Rate: 36V: 20.0Ah & 15.4Ah - 24.5Ah

Battery Materials: Aluminum Alloy 6063/PC+ABS

Down Tube Materials: Aluminum Alloy 6061

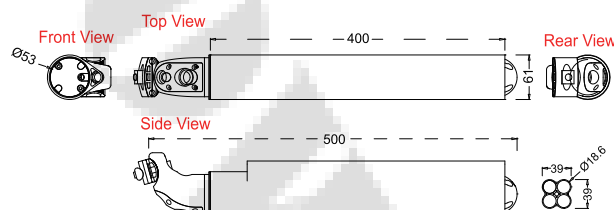
TTL-TTM

Tian Ma Mini Series

In-frame Battery Packs



4A fast charger available, refer to P.125



HY-TTMS 天馬Mini

Optional: N/A

Discharge port: 5 Pin

Charge port: DC2.1

Maximum Cells: 18650 20 pcs

LED indicator: N/A

Configurations: 10S2P

Rate: 36V: 4.4Ah - 7.0Ah

Battery Materials: Aluminum Alloy 6063/PC+ABS

Down Tube Materials: Aluminum Alloy 6061

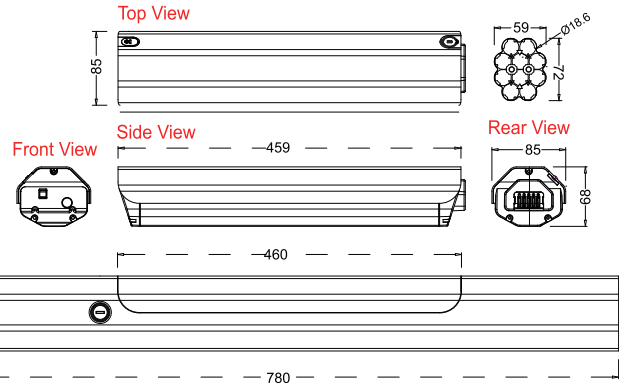
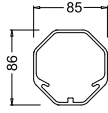
In-frame Battery Packs

Pacific I Series

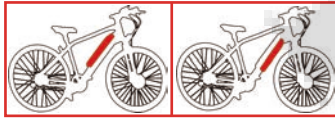


4A fast charger available, refer to P.125

TTP



Battery Mounting Position:



YL-TTP1 太平洋一號 (SSE-024)

Optional: N/A

Discharge port: 5 Pin

Charge port: DC2.1

Maximum Cells: 18650 60 pcs

LED indicator: Single LED (Tricolor)

Configurations: 10S6P

Rate: 36V: 13.2Ah - 21.0Ah

Battery Materials: Aluminum Alloy 6063/PC+ABS

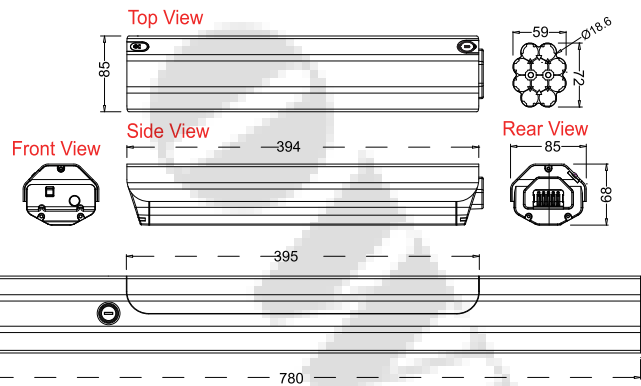
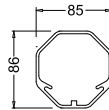
Down Tube Materials: Aluminum Alloy 6061

In-frame Battery Packs

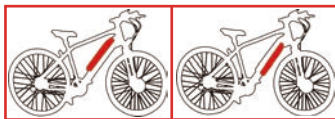
Pacific II Series



4A fast charger available, refer to P.125



Battery Mounting Position:



YL-TTP2 太平洋二號 (SSE-024)

Optional: N/A

Discharge port: 5 Pin

Charge port: DC2.1

Maximum Cells: 18650 50 pcs

LED indicator: Single LED (Tricolor)

Configurations: 10S5P

Rate: 36V: 11.0Ah - 17.5Ah

Battery Materials: Aluminum Alloy 6063/PC+ABS

Down Tube Materials: Aluminum Alloy 6061

Pacific III Series

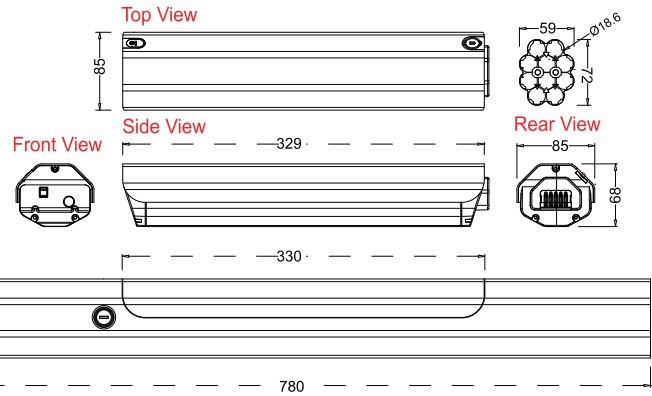
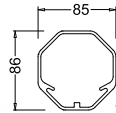
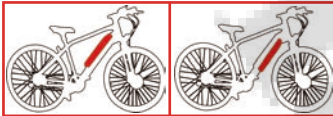
In-frame Battery Packs



4A fast charger available, refer to P.125



Battery Mounting Position:



TTP

YL-TTP3 太平洋三號 (SSE-024)

Optional: N/A

Discharge port: 5 Pin

Charge port: DC2.1

Maximum Cells: 18650 39/ 40pcs

LED indicator: Single LED (Tricolor)

Configurations: 13S3P/ 10S4P

Rate: 48V: 6.6Ah - 10.5Ah
 36V: 8.8Ah - 14.0Ah

Battery Materials: Aluminum Alloy 6063/PC+ABS

Down Tube Materials: Aluminum Alloy 6061

Pacific IV Series

In-frame Battery Packs

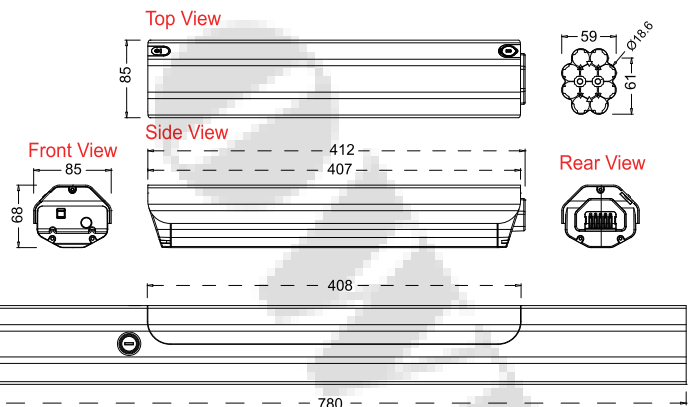
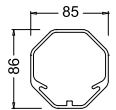
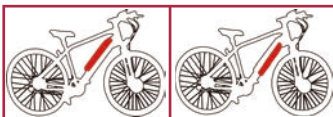


4A fast charger available, refer to P.125

**CANBUS
AVAILABLE**



Battery Mounting Position:



YL-TTP4 太平洋四號 (SSE-024)

NEW

Optional: N/A

Discharge port: 5 Pin

Charge port: DC2.1

Maximum Cells: 18650 50pcs

LED indicator: Single LED (Tricolor)

Configurations: 10S5P

Rate: 36V: 11.0Ah - 17.5Ah

Battery Materials: Aluminum Alloy 6063/PC+ABS

Down Tube Materials: Aluminum Alloy 6061

In-frame Battery Packs

Pacific B Series



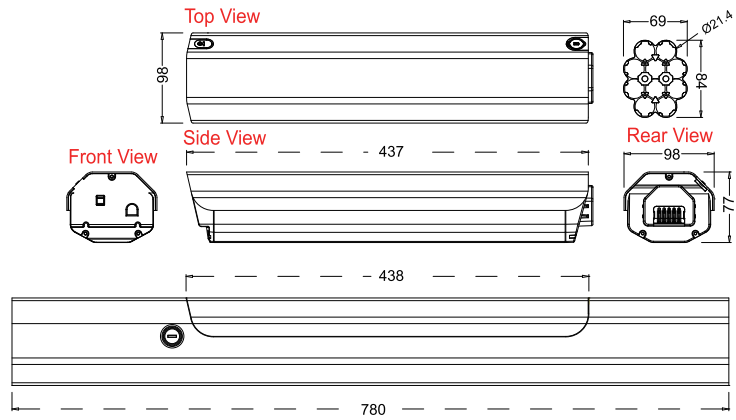
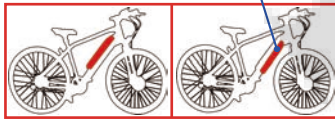
4A fast charger available, refer to P.125

TTP

21700 cell available



Battery Mounting Position:



YL-TTPB 太平洋B **NEW**

Discharge port: 5 Pin

Maximum Cells: 21700 50 pcs

Configurations: 10S5P

Battery Materials: Aluminum Alloy 6063/PC+ABS

Optional: Safety Lock Version

Charge port: DC2.1

LED indicator: Single LED (Tricolor)

Rate: 36V: 25.0Ah

Down Tube Materials: Aluminum Alloy 6061

In-frame Battery Packs

Pacific C Series

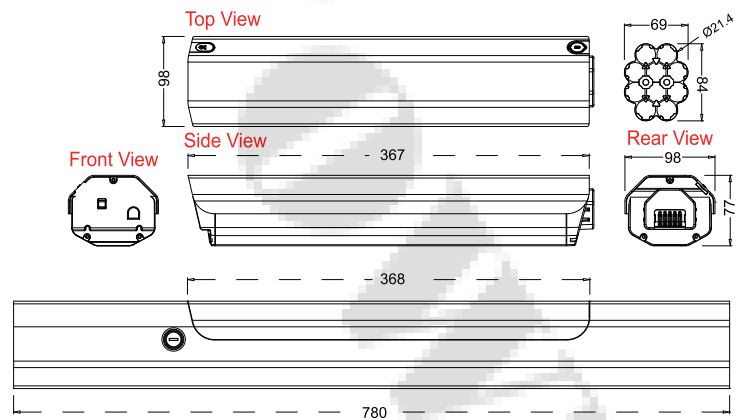
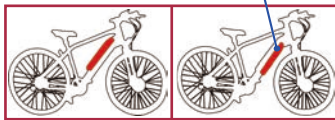


4A fast charger available, refer to P.125

21700 cell available



Battery Mounting Position:



YL-TTPC 太平洋C **NEW**

Discharge port: 5 Pin

Maximum Cells: 21700 40 pcs

Configurations: 10S4P

Battery Materials: Aluminum Alloy 6063/PC+ABS

Optional: Safety Lock Version

Charge port: DC2.1

LED indicator: Single LED (Tricolor)

Rate: 36V: 20.0Ah

Down Tube Materials: Aluminum Alloy 6061

Pacific L Series

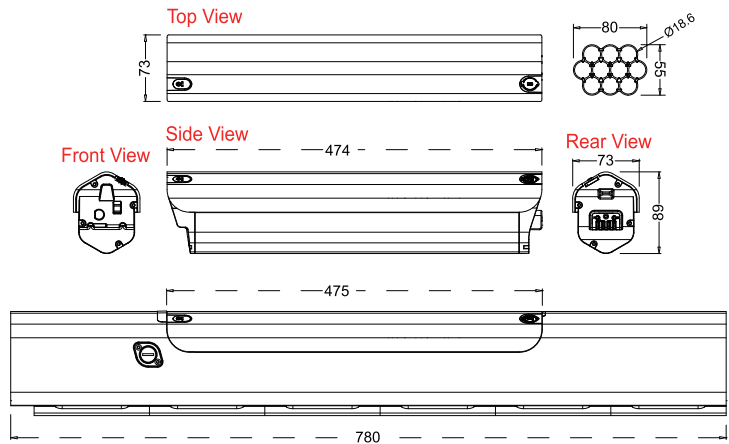
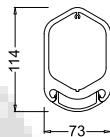
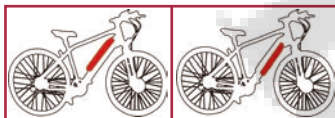
In-frame Battery Packs



4A fast charger available, refer to P.125



Battery Mounting Position:



YL-TTPL 太平洋L (SSE-076) * Spring Lock

Optional: N/A

Discharge port: 6 Pin

Charge port: DC2.1

Maximum Cells: 18650 60 pcs

LED indicator: Single LED (Tricolor)

Configurations: 10S6P

Rate: 36V: 13.2Ah - 21.0Ah

Battery Materials: Aluminum Alloy 6063/PC+ABS

Down Tube Materials: Aluminum Alloy 6061

TTP

Pacific M Series

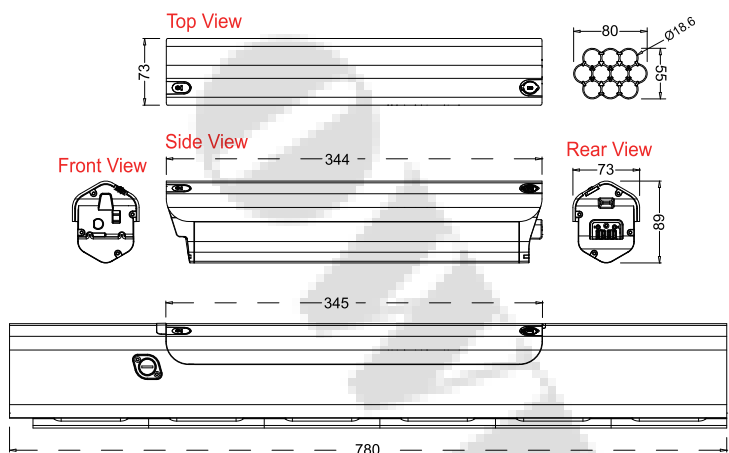
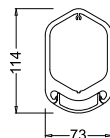
In-frame Battery Packs



4A fast charger available, refer to P.125



Battery Mounting Position:



YL-TTPM 太平洋M (SSE-076) * Spring Lock

Optional: N/A

Discharge port: 6 Pin

Charge port: DC2.1

Maximum Cells: 18650 39/ 40 pcs

LED indicator: Single LED (Tricolor)

Configurations: 13S3P/ 10S4P

Rate: 48V: 6.6Ah - 10.5Ah
36V: 8.8Ah - 14.0Ah

Battery Materials: Aluminum Alloy 6063/PC+ABS

Down Tube Materials: Aluminum Alloy 6061

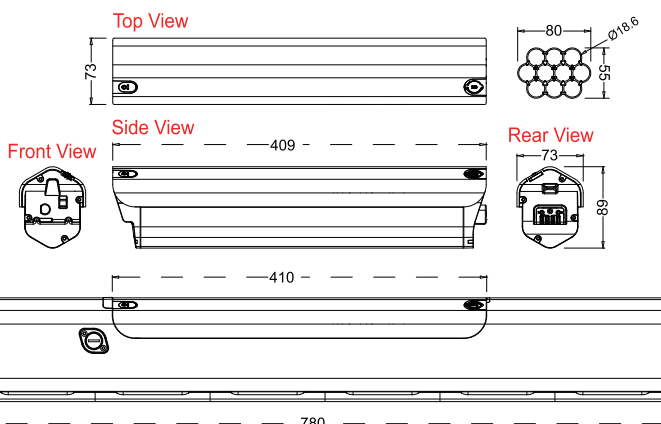
In-frame Battery Packs

Pacific N Series

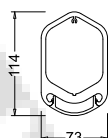


4A fast charger available, refer to P.125

TTP - TTY



Battery Mounting Position:



YL-TTPN 太平洋N (SSE-076) * Spring Lock

Optional: N/A

Discharge port: 6 Pin

Charge port: DC2.1

Maximum Cells: 18650 50 pcs

LED indicator: Single LED (Tricolor)

Configurations: 10S5P

Rate: 36V: 11.0Ah - 17.5Ah

Battery Materials: Aluminum Alloy 6063/PC+ABS

Down Tube Materials: Aluminum Alloy 6061

In-frame Battery Packs

SkyHawk I Series



4A fast charger available, refer to P.125

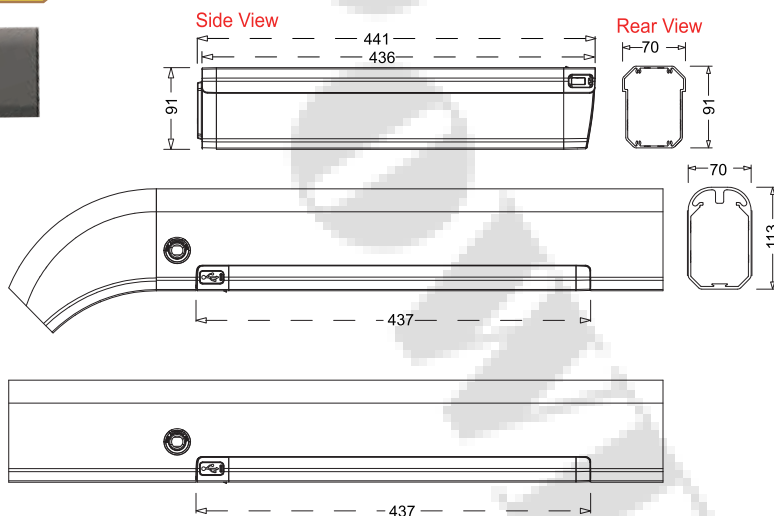
Tube 1



Tube 2



Battery Mounting Position:



HY-TTY1 天鷹一號

Optional: N/A

Discharge port: 5 Pin

Charge port: DC2.1

Maximum Cells: 18650 52/ 50 pcs

LED indicator: 4 LED

Configurations: 13S4P/ 10S5P

Rate: 48V: 8.8Ah - 14.0Ah
36V: 11.0Ah - 17.5Ah

Battery Materials: Aluminum Alloy 6063/PC+ABS

Down Tube Materials: Aluminum Alloy 6061

SkyHawk II Series

In-frame Battery Packs

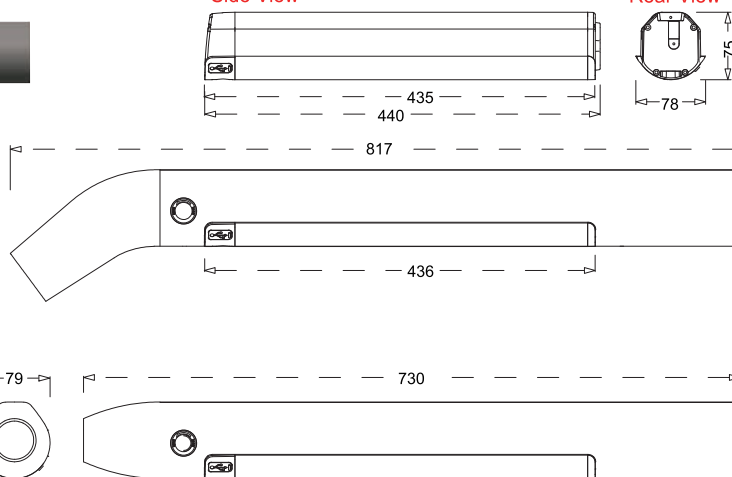


4A fast charger available, refer to P.125



Side View

Rear View



TTY - TXH

HY-TTY2 天鷹二號

Discharge port: 5 Pin

Maximum Cells: 18650 40 pcs

Configurations: 10S4P

Battery Materials: Aluminum Alloy 6063/PC+ABS

Optional: N/A

Charge port: DC2.1

LED indicator: 4 LED

Rate: 36V: 8.8Ah - 14.0Ah

Down Tube Materials: Aluminum Alloy 6061

Little Fox I Series

In-frame Battery Packs



4A fast charger available, refer to P.125

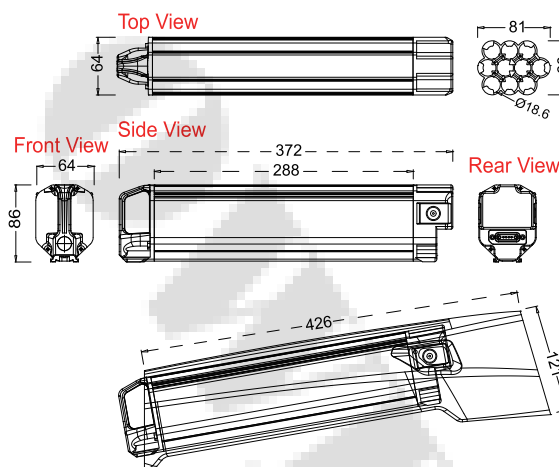


Top View

Front View

Side View

Rear View



SY-TXH1 小狐狸一號

NEW

Discharge port: 6 Pin

Maximum Cells: 18650 40 pcs

Configurations: 10S4P

Battery Materials: Aluminum Alloy 6063/PC+ABS

Optional: N/A

Charge port: DC2.1

LED indicator: Single LED (Tricolor)

Rate: 36V: 8.8Ah - 14.0Ah

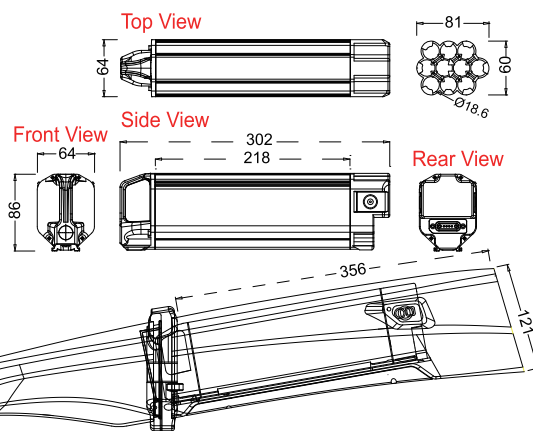
Down Tube Materials: Aluminum Alloy 6061

In-frame Battery Packs



4A fast charger available, refer to P.125

TXH - TXL



SY-TXH1S 小狐狸-Mini1

Discharge port: 6 Pin

Maximum Cells: 18650 30 pcs

Configurations: 10S3P

Battery Materials: Aluminum Alloy 6063/PC+ABS

Optional: N/A

Charge port: DC2.1

LED indicator: Single LED (Tricolor)

Rate: 36V: 6.6Ah - 10.5Ah

Down Tube Materials: Aluminum Alloy 6061

In-frame Battery Packs

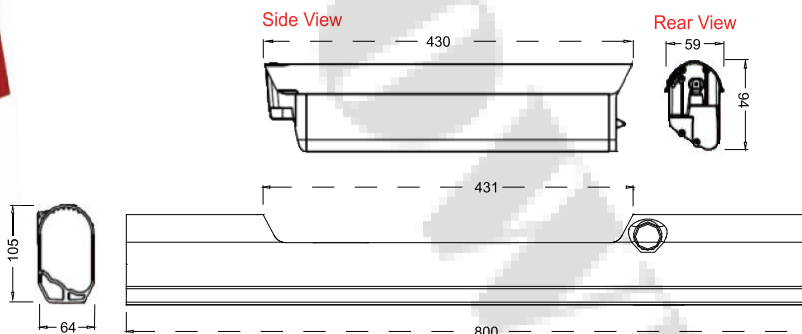


4A fast charger available, refer to P.125

Xiao Long I Series



Battery Mounting Position:



HY-TXL1 梟龍一號

Discharge port: 5 Pin

Maximum Cells: 18650 52/ 50 pcs

Configurations: 13S4P/ 10S5P

Battery Materials: Aluminum Alloy 6063/PC+ABS

Optional: N/A

Charge port: DC2.1

LED indicator: 4 LED

Rate: 48V: 8.8Ah - 14.0Ah
36V: 11.0Ah - 17.5Ah

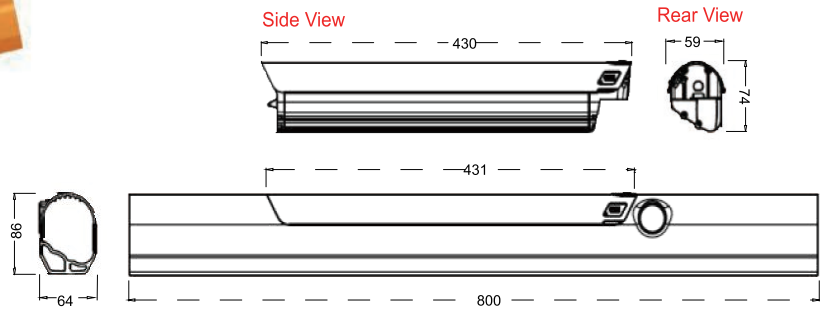
Down Tube Materials: Aluminum Alloy 6061

Xiao Long II Series

In-frame Battery Packs



4A fast charger available, refer to P.125



Battery Mounting Position:



TXL - TXN

HY-TXL2 梟龍二號

Optional: N/A

Discharge port: 5 Pin

Charge port: DC2.1

Maximum Cells: 18650 39/ 40 pcs

LED indicator: 4 LED

Configurations: 13S3P/ 10S4P

Rate: 48V: 6.6Ah - 10.5Ah
36V: 8.8Ah - 14.0Ah

Battery Materials: Aluminum Alloy 6063/PC+ABS

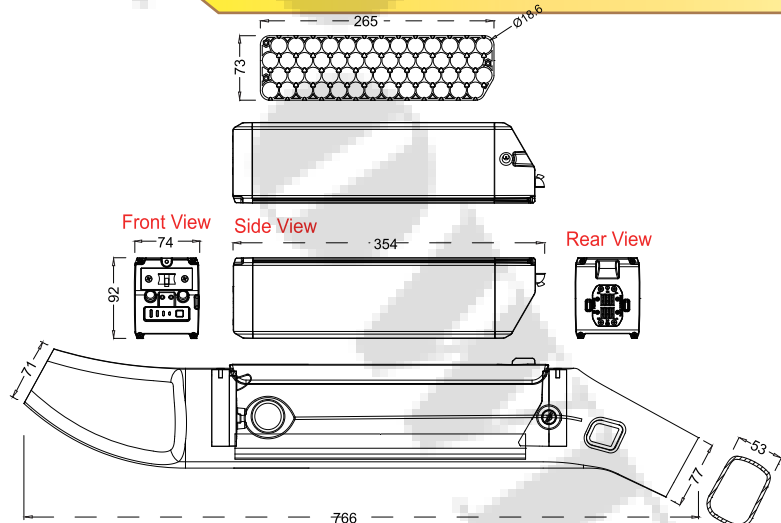
Down Tube Materials: Aluminum Alloy 6061

Rhino I Series

In-frame Battery Packs



4A fast charger available, refer to P.125



Battery Mounting Position:



RE-TXN1 犀牛一號

Optional: N/A

Discharge port: 6 Pin

Charge port: DC2.1

Maximum Cells: 18650 52/ 50 pcs

LED indicator: 4 LED

Configurations: 13S4P/ 10S5P

Rate: 48V: 8.8Ah - 14.0Ah
36V: 11.0Ah - 17.5Ah

Battery Materials: Aluminum Alloy 6063/PC+ABS

Down Tube Materials: Aluminum Alloy 6061

In-frame Battery Packs

Lion I Series



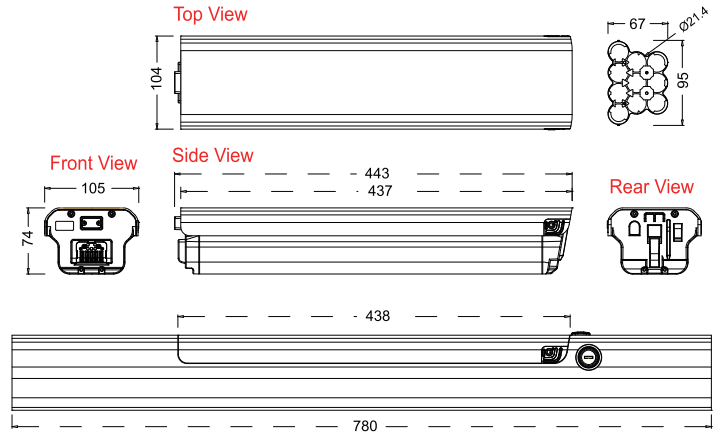
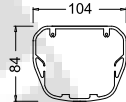
4A fast charger available, refer to P.125

TXS - TXW

21700 cell available



Battery Mounting Position:



YL-TXS1 雄獅一號 **NEW**

Optional: N/A

Discharge port: 5 Pin

Charge port: DC2.1

Maximum Cells: 21700 50 pcs

LED indicator: 5 LED

Configurations: 10S5P

Rate: 36V: 25.0Ah

Battery Materials: Aluminum Alloy 6063/PC+ABS

Down Tube Materials: Aluminum Alloy 6061

In-frame Battery Packs

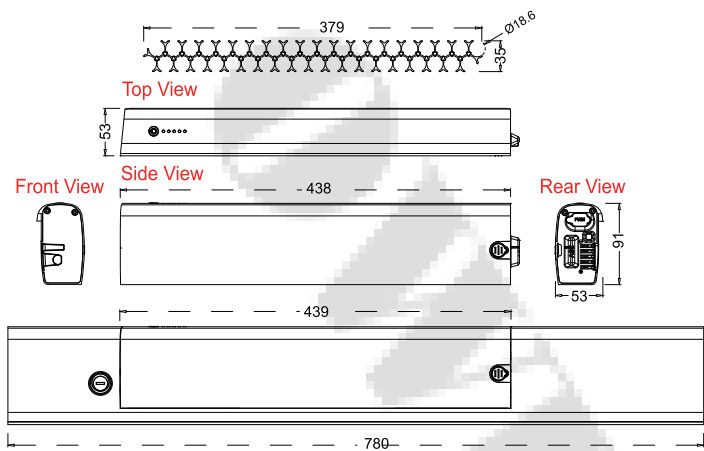
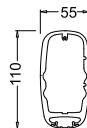
Black Warrior I Series



4A fast charger available, refer to P.125



Battery Mounting Position:



Down Tube Weight(kg): 2.1

YL-TXW1 玄武一號 (Colour: Black/Silver)

Optional: N/A

Discharge port: 5 Pin

Charge port: DC2.1

Maximum Cells: 18650 39/ 40 pcs

LED indicator: 5 LED

Configurations: 13S3P / 10S4P

Rate: 48V: 6.6Ah - 10.5Ah
36V: 8.8Ah - 14.0Ah

Battery Materials: Aluminum Alloy 6063/PC+ABS

Down Tube Materials: Aluminum Alloy 6061

Black Warrior II Series

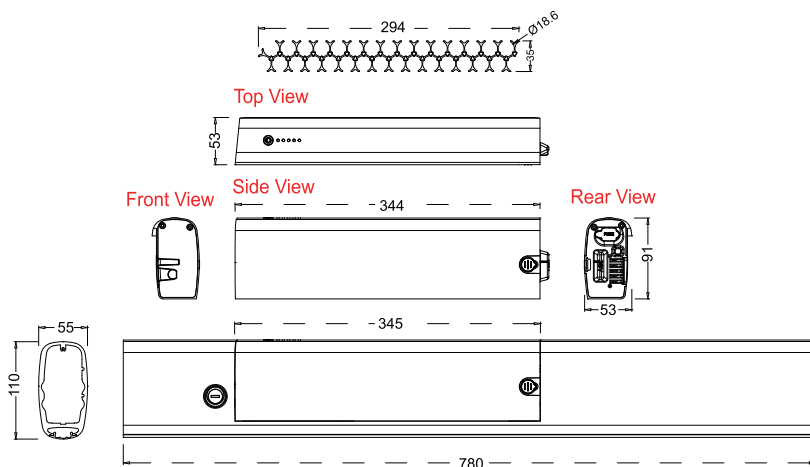
In-frame Battery Packs



4A fast charger available, refer to P.125



Battery Mounting Position:



Down Tube Weight(kg): 2.1

YL-TXW2 玄武二號 (Colour: Black/Silver)

Optional: N/A

Discharge port: 5 Pin

Charge port: DC2.1

Maximum Cells: 18650 30 pcs

LED indicator: 5 LED

Configurations: 10S3P

Rate: 36V: 6.6Ah - 10.5Ah

Battery Materials: Aluminum Alloy 6063/PC+ABS

Down Tube Materials: Aluminum Alloy 6061

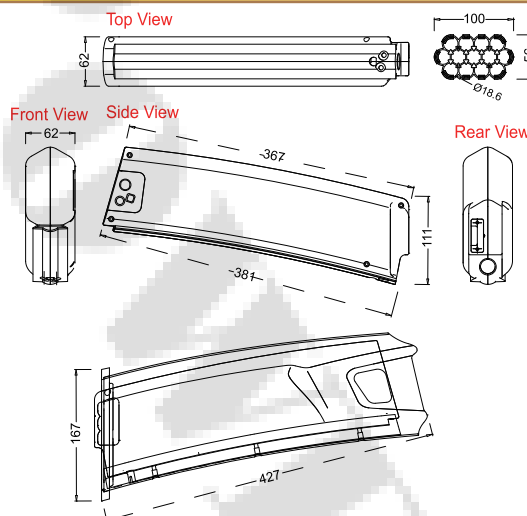
TXW - TYB

Clouded Leopard I Series

In-frame Battery Packs



4A fast charger available, refer to P.125



SY-TYB1 雲豹一號

Optional: N/A

Discharge port: 6 Pin

Charge port: DC2.1

Maximum Cells: 18650 52/ 50 pcs

LED indicator: Single LED (Tricolor)

Configurations: 13S4P/ 10S5P

Rate: 48V: 8.8Ah - 14.0Ah
36V: 11.0Ah - 17.5Ah

Battery Materials: Aluminum Alloy 6063/PC+ABS

Down Tube Materials: Aluminum Alloy 6061

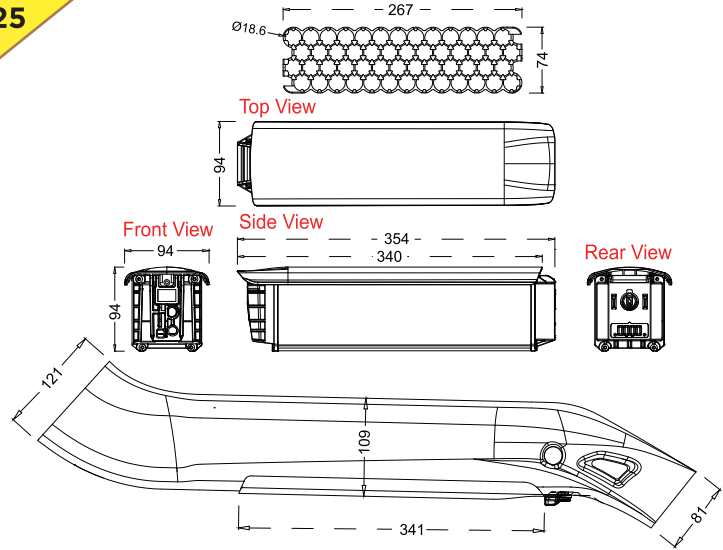
In-frame Battery Packs

Mustang I Series



4A fast charger available, refer to P.125

TYM - TZQ



Battery Mounting Position:



SY-TYM1 野馬一號

Optional: N/A

Discharge port: 4 Pin

Charge port: DC2.1

Maximum Cells: 18650 52/ 50 pcs

LED indicator: Single LED (Tricolor)

Configurations: 13S4P/ 10S5P

Rate: 48V: 8.8Ah - 14.0Ah
36V: 11.0Ah - 17.5Ah

Battery Materials: Aluminum Alloy 6063/PC+ABS

Down Tube Materials: Aluminum Alloy 6061

In-frame Battery Packs

Rosefinch I Series

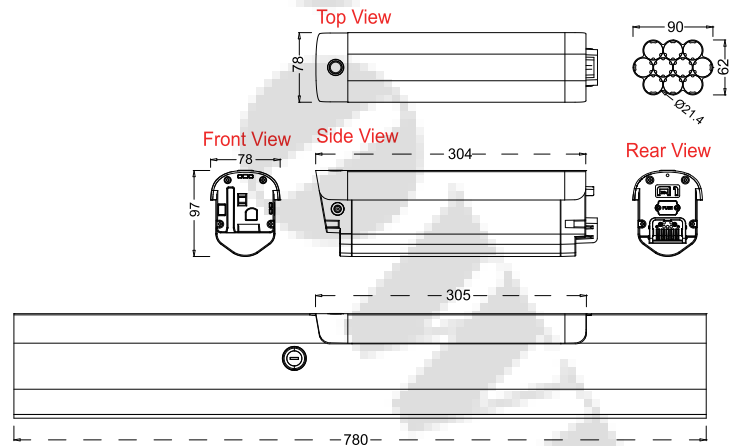
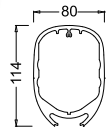
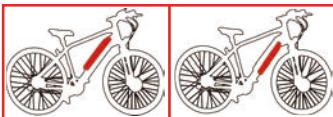


4A fast charger available, refer to P.125



21700 cell available

Battery Mounting Position:



Down Tube Weight(kg): 3.4

YL-TZQ1 朱雀一號

Optional: N/A

Discharge port: 7 Pin

Charge port: DC2.1

Maximum Cells: 21700 30 pcs

LED indicator: N/A

Configurations: 10S3P

Rate: 36V: 15.0Ah

Battery Materials: Aluminum Alloy 6063/PC+ABS

Down Tube Materials: Aluminum Alloy 6061

Rosefinch II Series

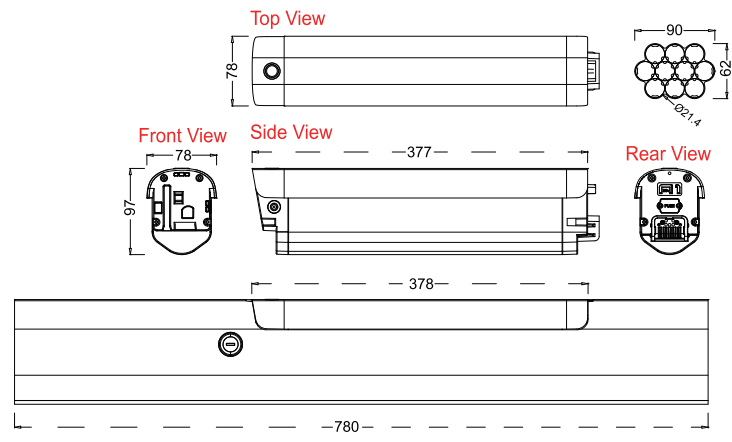
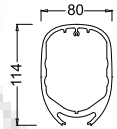
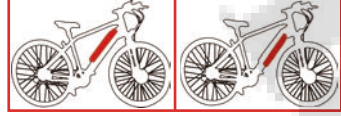
In-frame Battery Packs

21700 cell available

4A fast charger available, refer to P.125



Battery Mounting Position:



Down Tube Weight(kg): 3.4

| | |
|---|--|
| YL-TZQ2 朱雀二號 | Optional: N/A |
| Discharge port: 7 Pin | Charge port: DC2.1 |
| Maximum Cells: 21700 39/ 40 pcs | LED indicator: N/A |
| Configurations: 13S3P/ 10S4P | Rate: 48V: 15.0Ah 36V: 20.0Ah |
| Battery Materials: Aluminum Alloy 6063/PC+ABS | Down Tube Materials: Aluminum Alloy 6061 |

TZQ

Rosefinch III Series

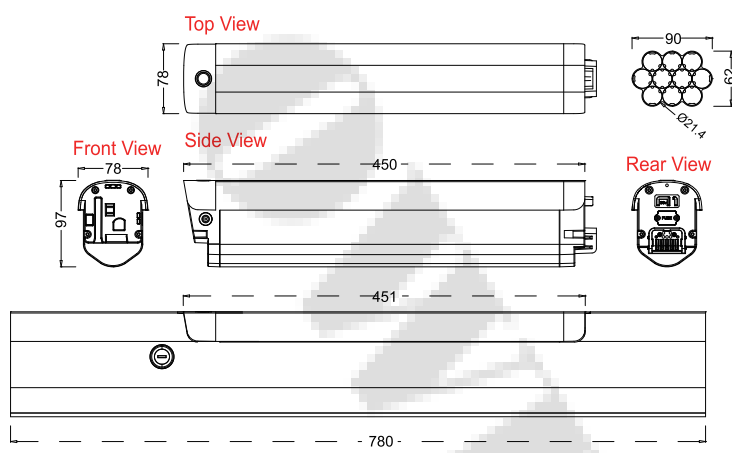
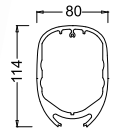
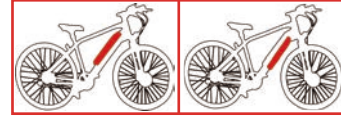
In-frame Battery Packs

21700 cell available

4A fast charger available, refer to P.125



Battery Mounting Position:



Down Tube Weight(kg): 3.4

| | |
|---|--|
| YL-TZQ3 朱雀三號 | Optional: N/A |
| Discharge port: 7 Pin | Charge port: DC2.1 |
| Maximum Cells: 21700 50 pcs | LED indicator: N/A |
| Configurations: 10S5P | Rate: 36V: 25.0Ah |
| Battery Materials: Aluminum Alloy 6063/PC+ABS | Down Tube Materials: Aluminum Alloy 6061 |

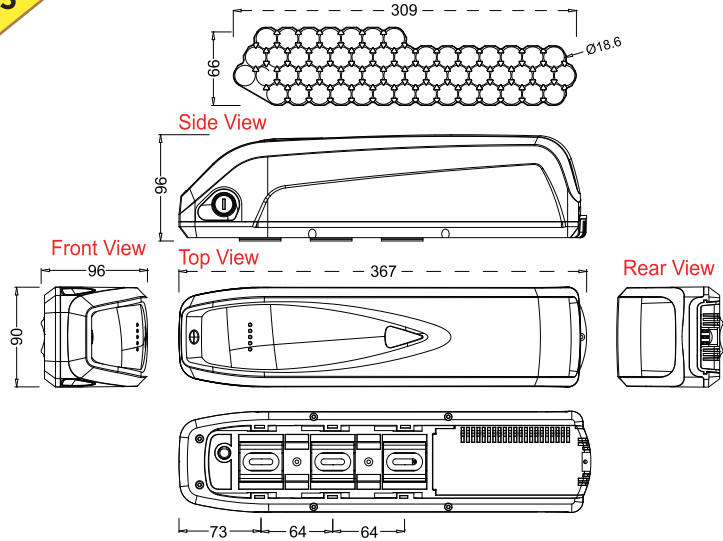
In-frame Battery Packs

Grasshopper I Series



4A fast charger available, refer to P.125

DCM



YL-DCM1 草蜢一號

Discharge port: 5 Pin

Maximum Cells: 18650 52/ 50 pcs

Configurations: 13S4P/ 10S5P

Battery Materials: PC+ABS

Optional: Controller available (Model: ERC-D Option A)

Charge port: DC2.1

LED indicator: 5 LED

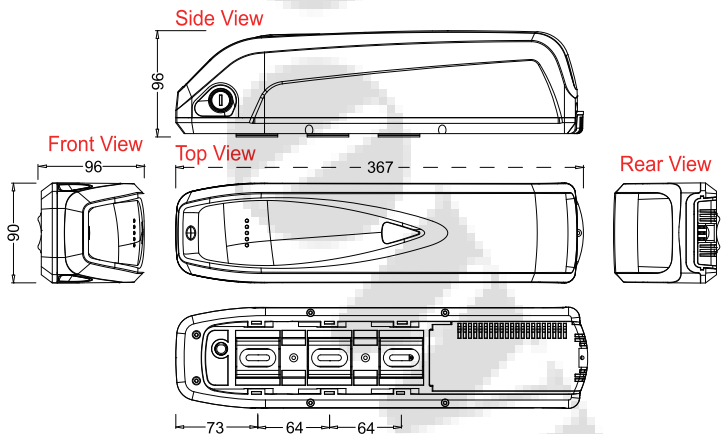
Rate: 48V: 8.8Ah - 14.0Ah
36V: 11.0Ah - 17.5Ah

In-frame Battery Packs

Grasshopper II Series



4A fast charger available, refer to P.125



YL-DCM2 草蜢二號

Discharge port: 5 Pin

Maximum Cells: 21700 39 pcs

Configurations: 13S3P

Battery Materials: PC+ABS

Optional: Controller available (Model: ERC-D Option A)

Charge port: DC2.1

LED indicator: 5 LED

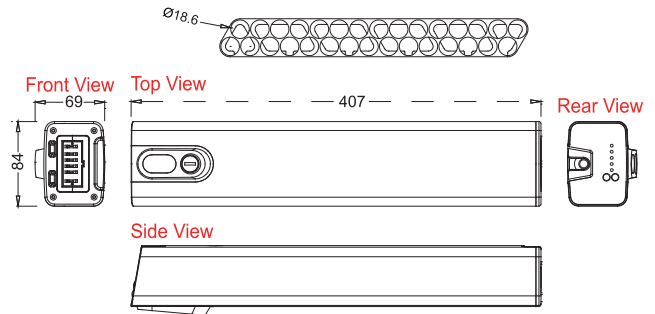
Rate: 48V: 15.0Ah

Haier I Series

Down Tube Battery Packs



4A fast charger available, refer to P.125



DHE - DHF

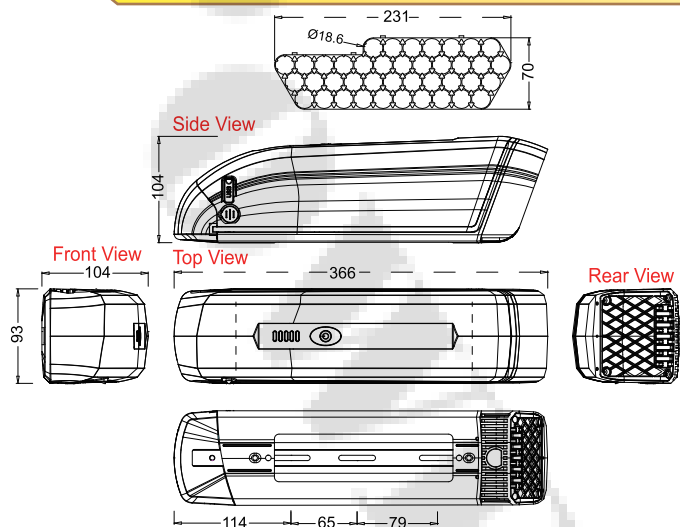
| | |
|---|---------------------------|
| SS-DHE1 海爾一號 | Optional: N/A |
| Discharge port: 6 Pin | Charge port: DC2.1 |
| Maximum Cells: 18650 30 pcs | LED indicator: 5 LED |
| Configurations: 10S3P | Rate: 36V: 6.6Ah - 10.5Ah |
| Battery Materials: Aluminum Alloy 6061 / PC+ABS | |

Wasp I Series

Down Tube Battery Packs



4A fast charger available, refer to P.125



| | |
|---------------------------------|--|
| YL-DHF1 黃蜂一號 | Optional: USB Port/ Controller (Model: ERC-K) |
| Discharge port: 5 Pin | Charge port: DC2.1 |
| Maximum Cells: 18650 39/ 40 pcs | LED indicator: 5 LED |
| Configurations: 13S3P/ 10S4P | Rate: 48V: 6.6Ah - 10.5Ah 36V: 8.8Ah - 14.0Ah |
| Battery Materials: PC+ABS | |

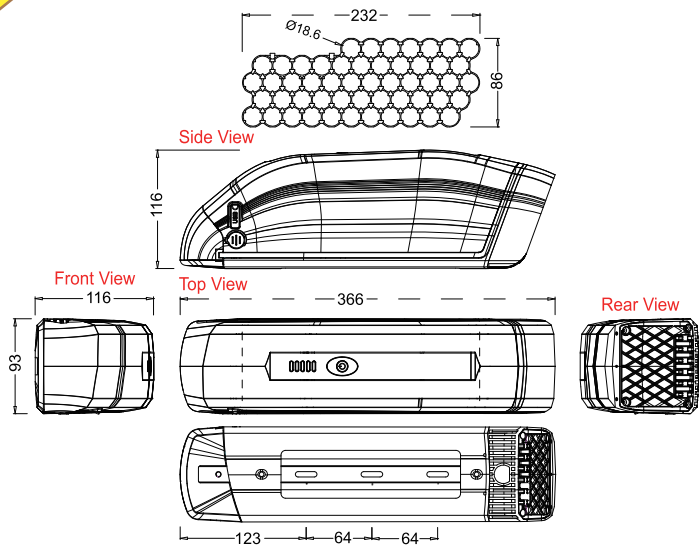
Down Tube Battery Packs

Wasp II Series



4A fast charger available, refer to P.125

DHF - DHL



YL-DHF2 黃蜂二號

Discharge port: 5 Pin

Maximum Cells: 18650 52/ 50 pcs

Configurations: 13S4P/ 10S5P

Battery Materials: PC+ABS

Optional: USB Port/ Controller (Model: ERC-K)

Charge port: DC2.1

LED indicator: 5 LED

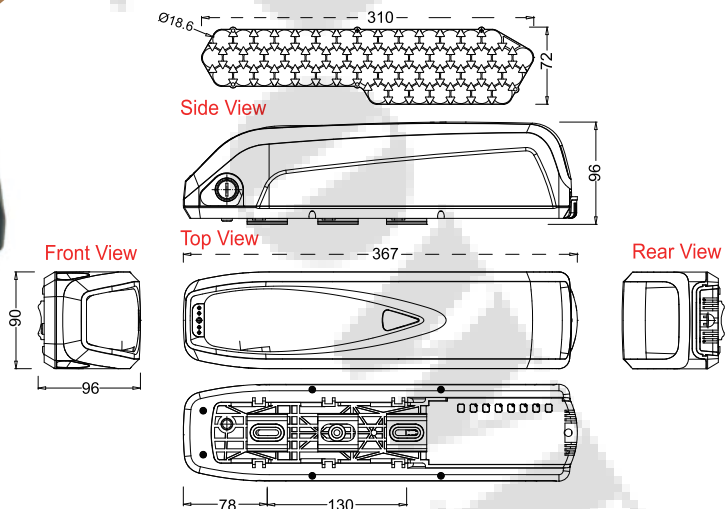
Rate: 48V: 8.8Ah - 14.0Ah
36V: 11.0Ah - 17.5Ah

Down Tube Battery Packs

Hailong I Series



4A fast charger available, refer to P.125



SS-DHL1 海龍一號

Discharge port: 4 Pin

Maximum Cells: 18650 52/ 50 pcs

Configurations: 13S4P/ 10S5P

Battery Materials: PC+ABS

Optional: Controller available (Model: ERC-D Option A)

Charge port: DC2.1

LED indicator: 4 LED

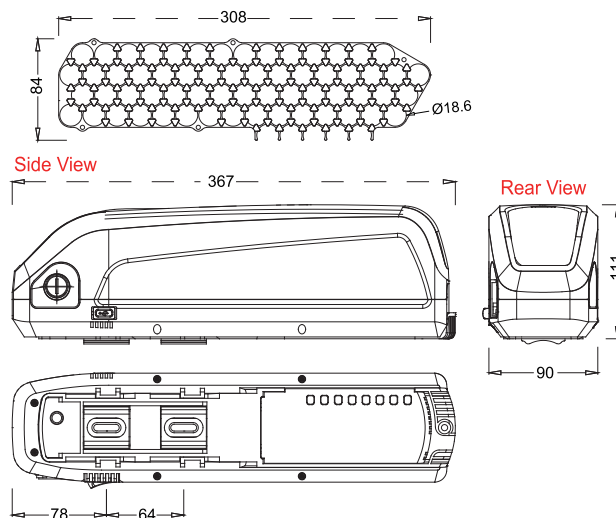
Rate: 48V: 8.8Ah - 14.0Ah
36V: 11.1Ah - 17.5Ah

Hailong I-2 Series

Down Tube Battery Packs



4A fast charger available, refer to P.125



DHL

SS-DHL1M 海龍一號2型

Discharge port: 4 Pin

Maximum Cells: 18650 65/ 60 pcs

Configurations: 13S5P/ 10S6P

Battery Materials: PC+ABS

Optional: USB Port & Controller (Model: ERC-D Option B)

Charge port: DC2.1

LED indicator: 4 LED

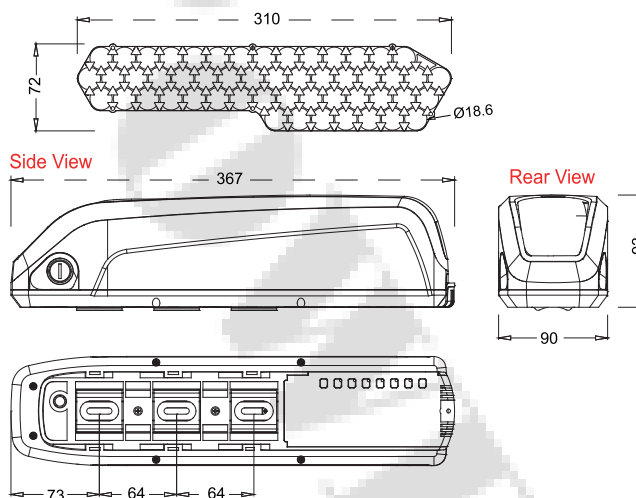
Rate: 48V: 11.0Ah - 17.5Ah
36V: 13.2Ah - 21.0Ah

Hailong Pro Series

Down Tube Battery Packs



4A fast charger available, refer to P.125



SS-DHL1P 海龍 Pro

Discharge port: 5 Pin

Maximum Cells: 18650 52/ 50 pcs

Configurations: 13S4P/ 10S5P

Battery Materials: PC+ABS

Optional: USB Port & Controller

Charge port: DC2.1

LED indicator: 4 LED

Rate: 48V: 8.8Ah - 14.0Ah
36V: 11.0Ah - 17.5Ah

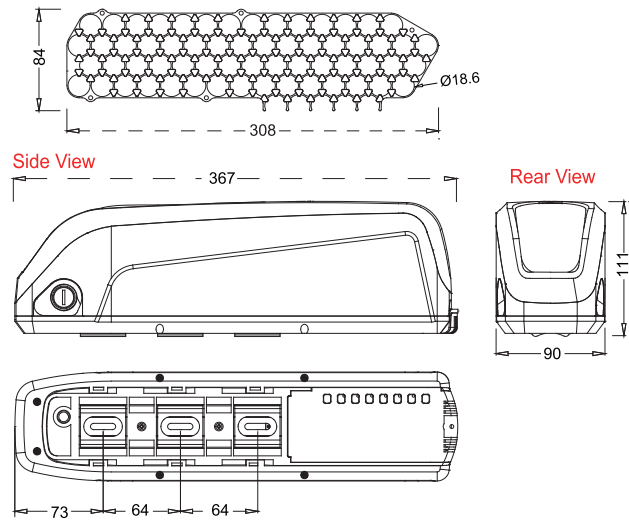
Down Tube Battery Packs

Hailong Plus Series



4A fast charger available, refer to P.125

DHL



SS-DHL1L 海龍Plus

Optional: N/A

Discharge port: 5 Pin

Charge port: DC2.1

Maximum Cells: 18650 65 pcs

LED indicator: 4 LED

Configurations: 13S5P

Rate: 48V: 11.0Ah - 17.5Ah

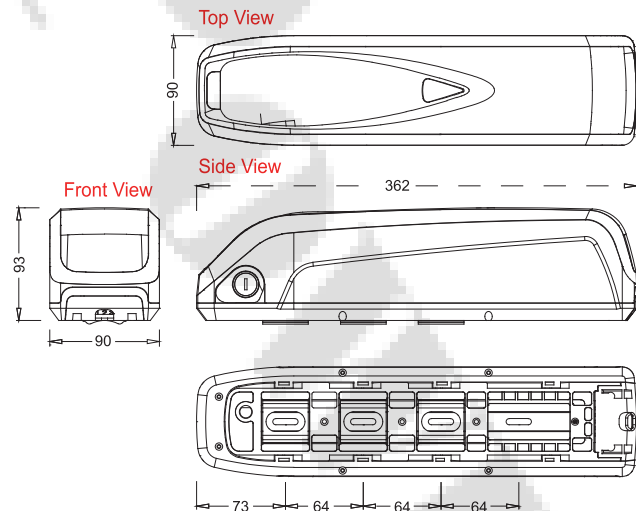
Battery Materials: Aluminum Alloy 6061 / PC+ABS

Down Tube Battery Packs

Hailong V Series



4A fast charger available, refer to P.125



SS-DHL5 海龍五號

Optional: N/A

Discharge port: 5 Pin

Charge port: DC2.1

Maximum Cells: 18650 56 pcs

LED indicator: 4 LED

Configurations: 14S4P

Rate: 52V: 8.8Ah - 14.0Ah

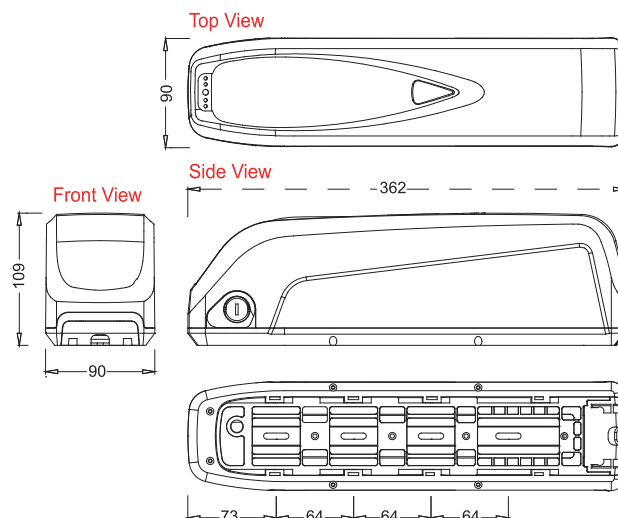
Battery Materials: Aluminum Alloy 6061 / PC+ABS

Hailong VII Series

Down Tube Battery Packs



4A fast charger available, refer to P.125



DHL

SS-DHL7 海龍七號

Optional: N/A

Discharge port: 5 Pin

Charge port: DC2.1

Maximum Cells: 18650 70 pcs

LED indicator: 4 LED

Configurations: 10S7P

Rate: 36V: 15.4Ah - 24.5Ah

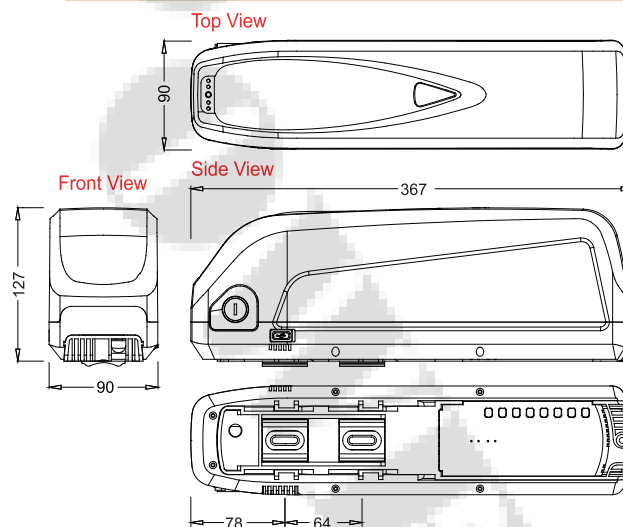
Battery Materials: Aluminum Alloy 6061 / PC+ABS

Hailong VIII Series

Down Tube Battery Packs



4A fast charger available, refer to P.125



SS-DHL8 海龍八號

Optional: N/A

Discharge port: 4 / 6 Pin

Charge port: DC2.1

Maximum Cells: 18650 80 pcs

LED indicator: 4 LED

Configurations: 10S8P

Rate: 36V: 17.6Ah - 28.0Ah

Battery Materials: Aluminum Alloy 6061 / PC+ABS

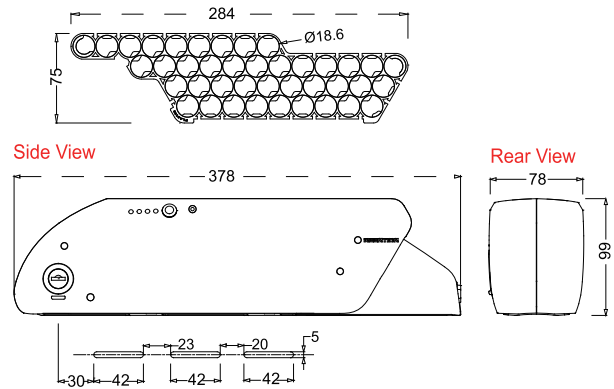
Down Tube Battery Packs

Tiger Shark I Series



4A fast charger available, refer to P.125

DHS



RE-DHS1 虎鯊一號

Discharge port: 5 Pin

Maximum Cells: 18650 40 pcs

Configurations: 10S4P

Battery Materials: PC+ABS

Optional: USB Port

Charge port: DC2.1

LED indicator: 4 LED

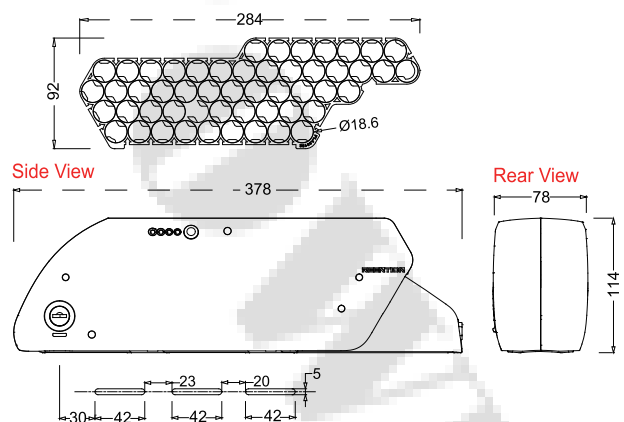
Rate: 36V: 8.8Ah - 14.0Ah

Down Tube Battery Packs

Tiger Shark II Series



4A fast charger available, refer to P.125



RE-DHS2 虎鯊二號

Discharge port: 5 Pin

Maximum Cells: 18650 52/ 50 pcs

Configurations: 13S4P/ 10S5P

Battery Materials: PC+ABS

Optional: USB Port

Charge port: DC2.1

LED indicator: 4 LED

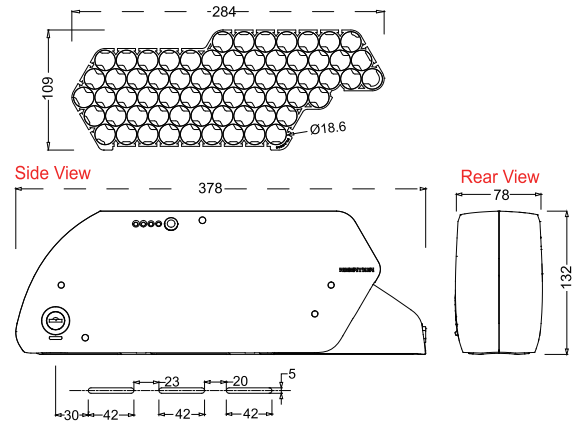
Rate: 48V: 8.8Ah - 14.0Ah
36V: 11.0Ah - 17.5Ah

Tiger Shark III Series

Down Tube Battery Packs



4A fast charger available, refer to P.125



DHS - DHX

RE-DHS3 虎鯊三號

Discharge port: 5 Pin

Maximum Cells: 18650 65/ 60 pcs

Configurations: 13S5P/ 10S6P

Battery Materials: PC+ABS

Optional: USB Port

Charge port: DC2.1

LED indicator: 4 LED

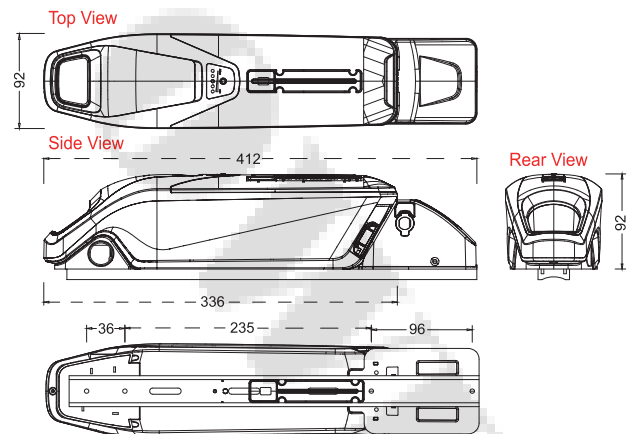
Rate: 48V: 11.0Ah - 17.5Ah
36V: 13.2Ah - 21.0Ah

Harmony I Series

Down Tube Battery Packs



4A fast charger available, refer to P.125



HY-DHX1 新和諧一號

Discharge port: 5 Pin

Maximum Cells: 18650 39/ 40 pcs

Configurations: 13S3P/ 10S4P

Battery Materials: PC+ABS

Optional: USB Port

Charge port: DC2.1

LED indicator: Single LED (Tricolor)

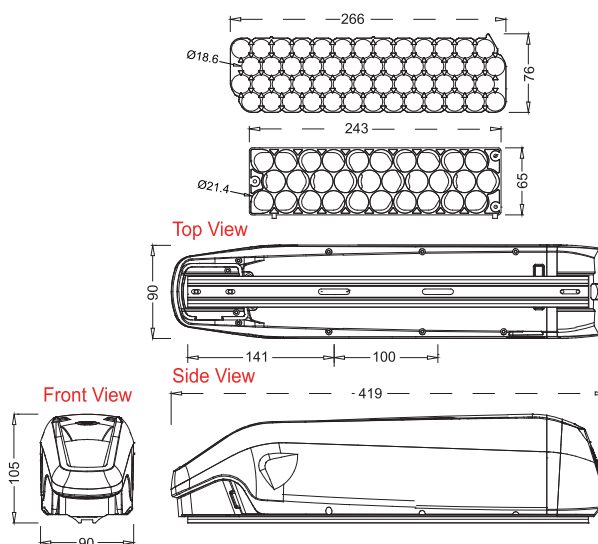
Rate: 48V: 6.6Ah - 10.5Ah
36V: 8.8Ah - 14.0Ah

Down Tube Battery Packs



4A fast charger available, refer to P.125

DHY



SS-DHY1 海月一號

Discharge port: 6 Pin

Maximum Cells: 18650 52 pcs & 21700 30 pcs

Configurations: 13S4P & 10S3P

Battery Materials: PC+ABS

Optional: N/A

Charge port: DC2.1

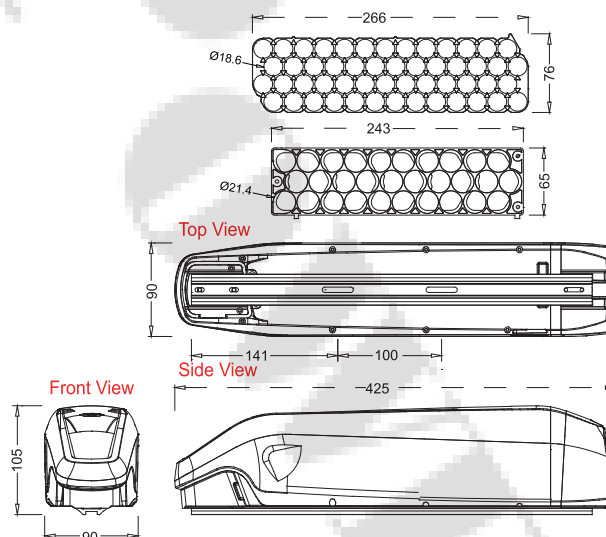
LED indicator: Single LED (Tricolor)

Rate: 48V: 8.8Ah - 14.0Ah
36V: 15.0Ah

Down Tube Battery Packs



4A fast charger available, refer to P.125



SS-DHY1C 海月-C

Discharge port: 6 Pin

Maximum Cells: 18650 52 pcs & 21700 30 pcs

Configurations: 13S4P/ 10S3P

Battery Materials: PC+ABS

Optional: with Controller box

Charge port: DC2.1

LED indicator: Single LED (Tricolor)

Rate: 48V: 8.8Ah - 14.0Ah
36v: 15.0Ah

Sea Moon I Series

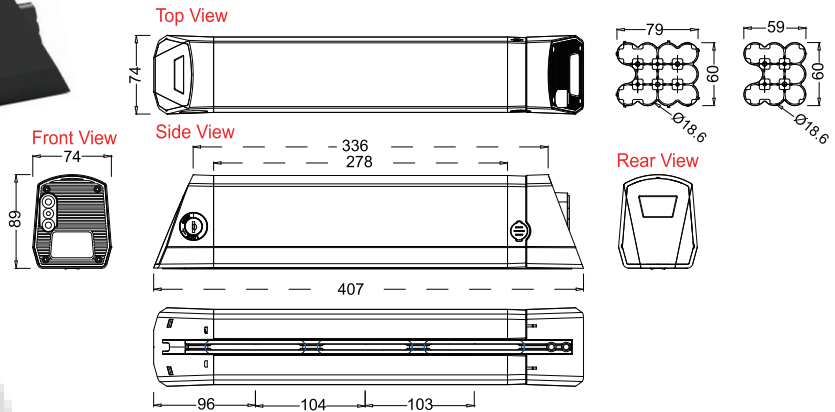
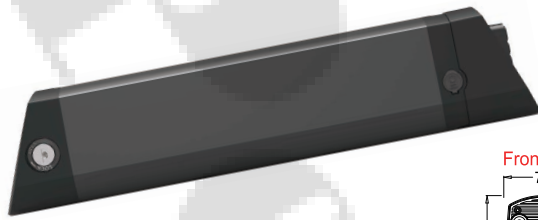
Sea Moon-C Series

Thunder 4C Series

Down Tube Battery Packs



4A fast charger available, refer to P.125



DLT - DQT

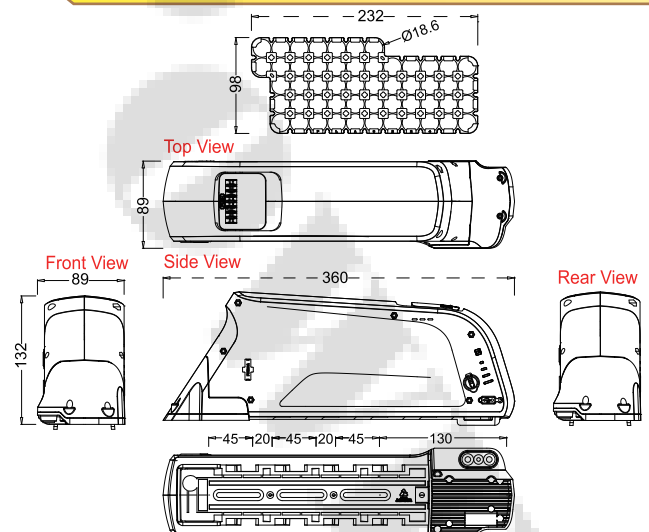
| | |
|---|---------------------------|
| RE-DLT4C 雷霆-4C | Optional: N/A |
| Discharge port: 2 Pin | Charge port: DC2.1 |
| Maximum Cells: 18650 40 pcs | LED indicator: 4 LED |
| Configurations: 10S4P | Rate: 36V: 8.8Ah - 14.0Ah |
| Battery Materials: Aluminum Alloy 6063/PC+ABS | |

Atlas 5C Series

Down Tube Battery Packs



4A fast charger available, refer to P.125



| | |
|---------------------------------|---|
| RE-DQT5C 擎天-5C | Optional: USB Port |
| Discharge port: 2/ 5 Pin | Charge port: DC2.1 |
| Maximum Cells: 18650 52/ 50 pcs | LED indicator: 4 LED |
| Configurations: 13S4P/ 10S5P | Rate: 48V: 8.8Ah - 14.0Ah 36V: 11.0Ah - 17.5Ah |
| Battery Materials: PC+ABS | |

Down Tube Battery Packs

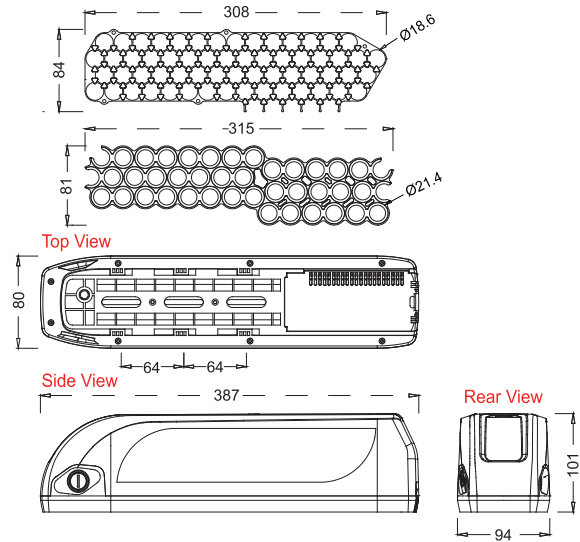
Sharp I Series



4A fast charger available, refer to P.125

DXP - DYW

21700 cell available



SS-DXP1 夏普一號

Optional: N/A

Discharge port: 5 Pin

Charge port: DC2.1

Maximum Cells: 18650 52/ 50 pcs & 21700 40 pcs

LED indicator: 4 LED

Configurations: 13S4P/ 10S5P & 10S4P

Rate: 48V: 8.8Ah - 14.0Ah
36V: 11.0Ah - 17.5Ah & 20.0Ah

Battery Materials: PC+ABS

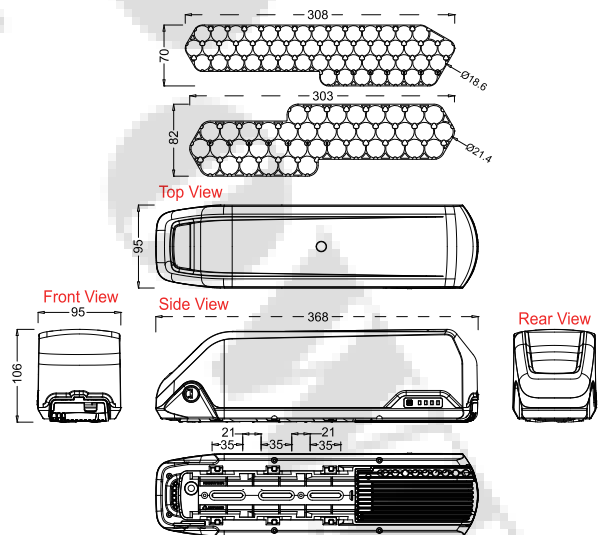
Down Tube Battery Packs

Polly 4M Series



4A fast charger available, refer to P.125

21700 cell available



RE-DYW4M 鸚鵡-4M

Optional: N/A

Discharge port: 4 Pin

Charge port: DC2.1

Maximum Cells: 18650 52 pcs & 21700 40 pcs

LED indicator: 4 LED

Configurations: 13S4P/ 10S4P

Rate: 48V: 8.8Ah - 14.0Ah
36V: 20.0Ah

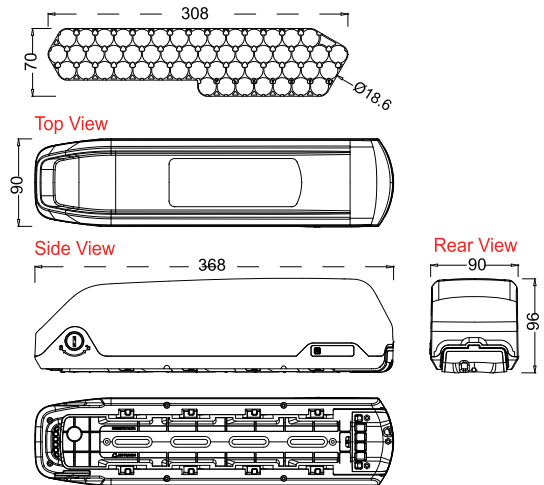
Battery Materials: PC+ABS

Polly V Series

Down Tube Battery Packs



4A fast charger available, refer to P.125



DYW

RE-DYW5 鸚鵡五號

Optional: N/A

Discharge port: 5 Pin

Charge port: DC2.1

Maximum Cells: 18650 56/ 52/ 50 pcs

LED indicator: 4 LED

Configurations: 14S4P/ 13S4P/ 10S5P

Rate: 52V: 8.8Ah - 14.0Ah
48V: 8.8Ah - 14.0Ah
36V: 11.0Ah - 17.5Ah

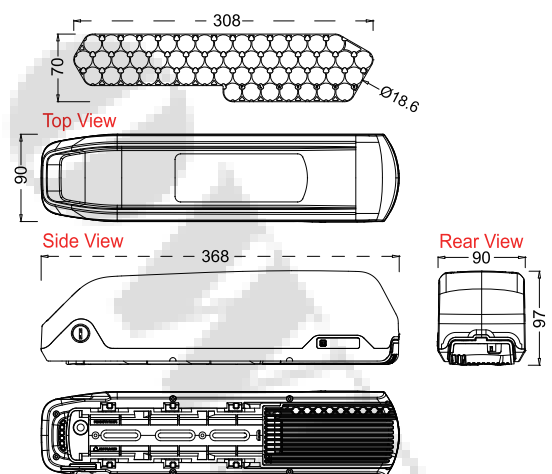
Battery Materials: PC+ABS

Polly 5C Series

Down Tube Battery Packs



4A fast charger available, refer to P.125



RE-DYW5C 鸚鵡-5C

Optional: N/A

Discharge port: 4 Pin

Charge port: DC2.1

Maximum Cells: 18650 52/ 50 pcs

LED indicator: 4 LED

Configurations: 13S4P/ 10S5P

Rate: 48V: 8.8Ah - 14.0Ah
36V: 11.0Ah - 17.5Ah

Battery Materials: PC+ABS

Down Tube Battery Packs

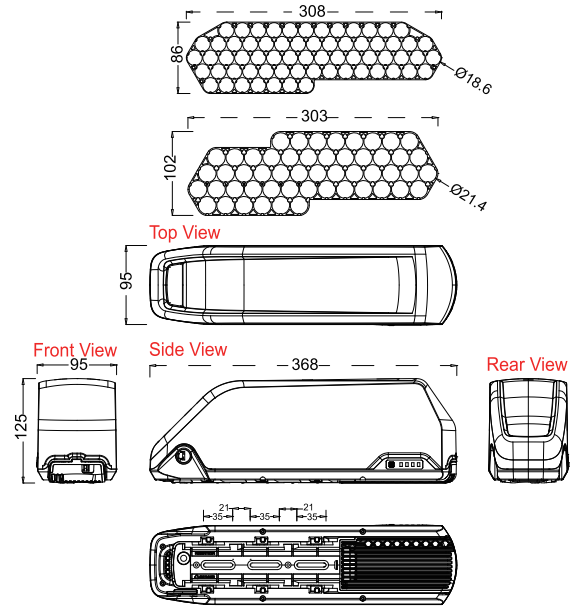
Polly 5M Series



4A fast charger available, refer to P.125

DYW

21700 cell available



RE-DYW5M 鸚鵡-5M

Optional: N/A

Discharge port: 4 Pin

Charge port: DC2.1

Maximum Cells: 18650 65 pcs & 21700 52 pcs

LED indicator: 4 LED

Configurations: 13S5P & 13S4P

Rate: 48V: 11.0Ah - 17.5Ah & 20.0Ah

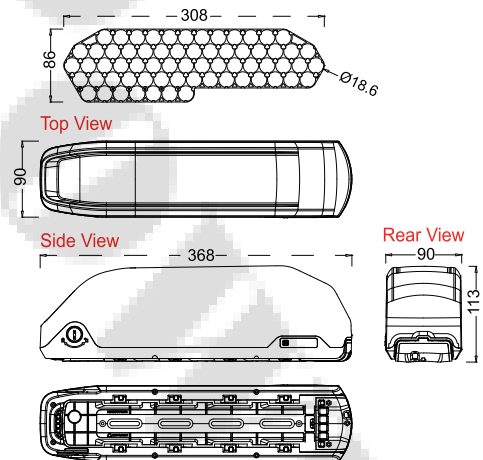
Battery Materials: PC+ABS

Down Tube Battery Packs

Polly VI Series



4A fast charger available, refer to P.125



RE-DYW6 鸚鵡六號

Optional: N/A

Discharge port: 5 Pin

Charge port: DC2.1

Maximum Cells: 18650 70/ 65 pcs

LED indicator: 4 LED

Configurations: 14S5P/ 10S7P/ 13S5P

Rate: 52V: 11.0Ah - 17.5Ah
48V: 15.4Ah - 24.5Ah
36V: 11.0Ah - 17.5Ah

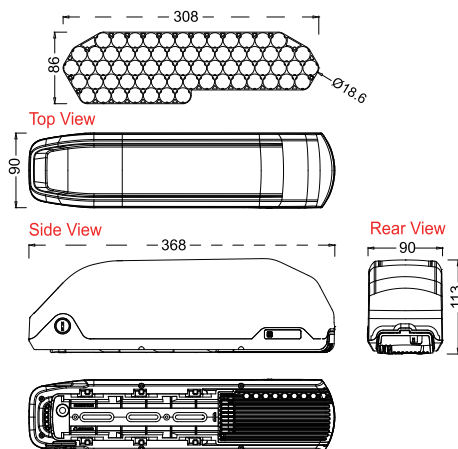
Battery Materials: PC+ABS

Polly 6C Series

Down Tube Battery Packs



4A fast charger available, refer to P.125



DYW

RE-DYW6C 鸚鵡-6C

Optional: N/A

Discharge port: 4 Pin

Charge port: DC2.1

Maximum Cells: 18650 65/ 60 pcs

LED indicator: 4 LED

Configurations: 13S5P/ 10S6P

Rate: 48V: 11.0Ah - 17.5Ah
36V: 13.2Ah - 21.0Ah

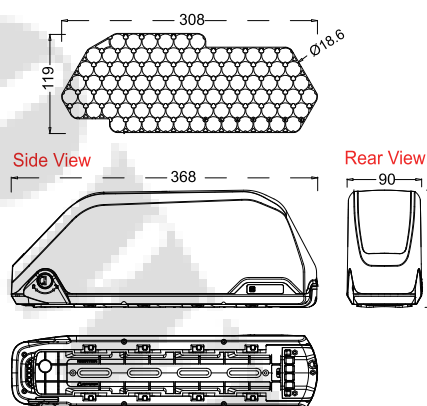
Battery Materials: PC+ABS

Polly IX Series

Down Tube Battery Packs



4A fast charger available, refer to P.125



RE-DYW9 鸚鵡九號

Optional: N/A

Discharge port: 5 Pin

Charge port: DC2.1

Maximum Cells: 18650 91/ 90 pcs

LED indicator: 4 LED

Configurations: 13S7P/ 10S9P

Rate: 48V: 15.4Ah - 24.5Ah
36V: 19.8Ah - 31.5Ah

Battery Materials: PC+ABS

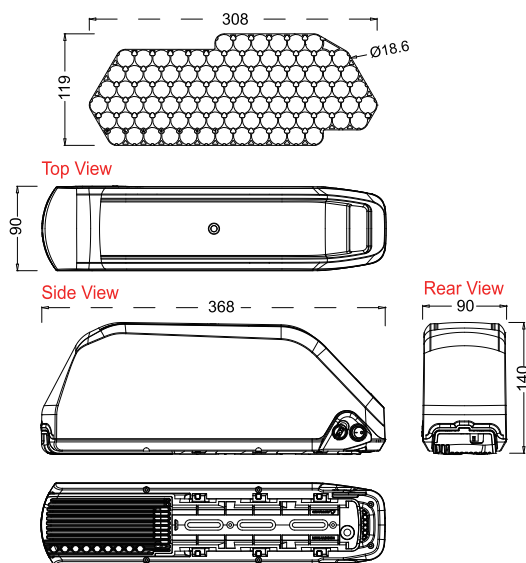
Down Tube Battery Packs

Polly IXC Series



4A fast charger available, refer to P.125

DYW



RE-DYW9C 鸚鵡-9C

Optional: N/A

Discharge port: 4 Pin

Charge port: DC2.1

Maximum Cells: 18650 84/ 78/ 80 pcs

LED indicator: 4 LED

Configurations: 14S6P/ 13S6P/ 10S8P

Rate: 52V: 13.2Ah - 21.0Ah
48V: 13.2Ah - 21.0Ah
36V: 17.6Ah - 28.0Ah

Battery Materials: PC+ABS



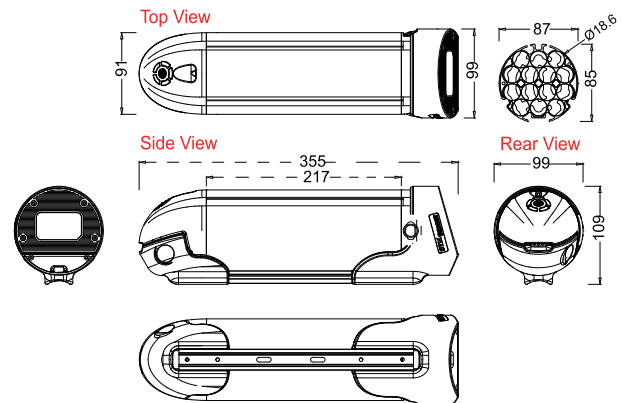
Train II Series

Water Bottle Battery Packs



4A fast charger available, refer to P.125

Tube:
Ø88mm



WDC - WHT

SS-WDC2 動車二號 * Spring Lock

Optional: N/A

Discharge port: 5 Pin

Charge port: DC2.1

Maximum Cells: 18650 39/ 40 pcs

LED indicator: 5 LED

Configurations: 13S3P/ 10S4P

Rate: 48V: 6.6Ah - 10.5Ah
36V: 8.8Ah - 14.0Ah

Battery Materials: Aluminum Alloy 6063/PC+ABS

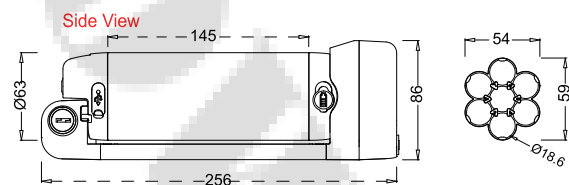
Cuttle 1C Series

Water Bottle Battery Packs



4A fast charger available, refer to P.125

Tube:
Ø63mm



RE-WHT1C 海兔-1C

Optional: USB Port

Discharge port: 2 Pin

Charge port: DC2.1

Maximum Cells: 18650 14 pcs

LED indicator: Single LED (Tricolor)

Configurations: 7S2P

Rate: 24V: 4.4Ah - 7.0Ah

Battery Materials: PC+ABS

Water Bottle Battery Packs

Cuttle 2C Series

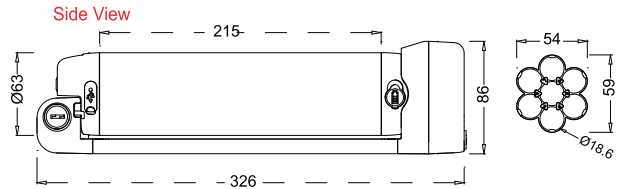


4A fast charger available, refer to P.125

WHT - WJG



Tube:
Ø63mm



RE-WHT2C 海兔-2C

Optional: USB Port

Discharge port: 2 Pin

Charge port: DC2.1/ 2.5

Maximum Cells: 18650 20/ 21 pcs

LED indicator: Single LED (Tricolor)

Configurations: 10S2P/ 7S3P

Rate: 36V: 4.4Ah - 7.0Ah
24V: 6.6Ah - 10.5Ah

Battery Materials: PC+ABS

Water Bottle Battery Packs

Scarab I Series



4A fast charger available, refer to P.125

Tube:
Ø81.5mm



Extra space for motor controller



Standard Base
Dimensions (mm):
286 (L) x 88 (W) x 98 (H)



Optional Base
Dimensions (mm):
292 (L) x 96 (W) x 97 (H)

Colour: ■ Black □ Silver

YL-WJG1 金龜一號

Optional: Controller available (Model: ERC-U)

Discharge port: 5 Pin

Charge port: DC2.5

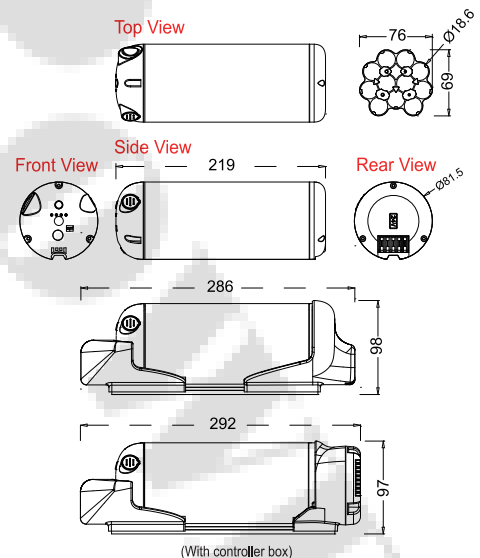
Maximum Cells: 18650 21 pcs

LED indicator: 4 LED

Configurations: 7S3P

Rate: 24V: 6.6Ah - 10.5Ah

Battery Materials: Aluminum Alloy 6063/PC+ABS



Scarab II Series

Water Bottle Battery Packs

 **4A fast charger available, refer to P.125**

Tube:
Ø81.5mm



Standard Base
Dimensions (mm):
355 (L) x 88 (W) x 98 (H)



Optional Base
Dimensions (mm):
361 (L) x 96 (W) x 97 (H)

Colour: Black Silver

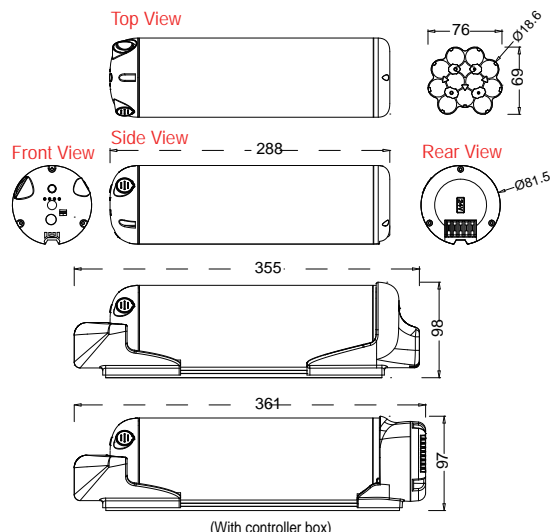
YL-WJG2 金龜二號

Discharge port: 5 Pin

Maximum Cells: 18650 28 pcs

Configurations: 7S4P

Battery Materials: Aluminum Alloy 6063/PC+ABS



Optional: Controller available (Model: ERC-U)

Charge port: DC2.5

LED indicator: 4 LED

Rate: 24V: 8.8Ah - 14.0Ah

WJG

Scarab III Series

Water Bottle Battery Packs

 **4A fast charger available, refer to P.125**

Tube:
Ø81.5mm



Standard Base
Dimensions (mm):
286 (L) x 88 (W) x 98 (H)



Optional Base
Dimensions (mm):
292 (L) x 96 (W) x 97 (H)

Colour: Black Silver

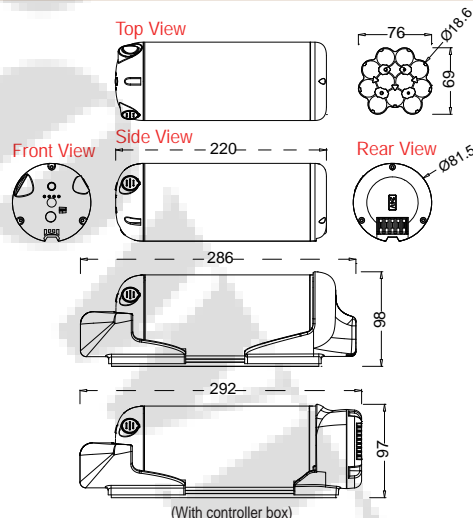
YL-WJG3 金龜三號

Discharge port: 5 Pin

Maximum Cells: 18650 20 pcs

Configurations: 10S2P

Battery Materials: Aluminum Alloy 6063/PC+ABS



Optional: Controller available (Model: ERC-U)

Charge port: DC2.1

LED indicator: 4 LED

Rate: 36V: 4.4Ah - 7.0Ah

Water Bottle Battery Packs

Scarab IV Series



4A fast charger available, refer to P.125

WJG - WTN

Tube:
Ø81.5mm



Standard Base
Dimensions (mm):
355 (L) x 88 (W) x 98 (H)

Optional Base
Dimensions (mm):
361 (L) x 96 (W) x 97 (H)

Colour: ■ Black □ Silver

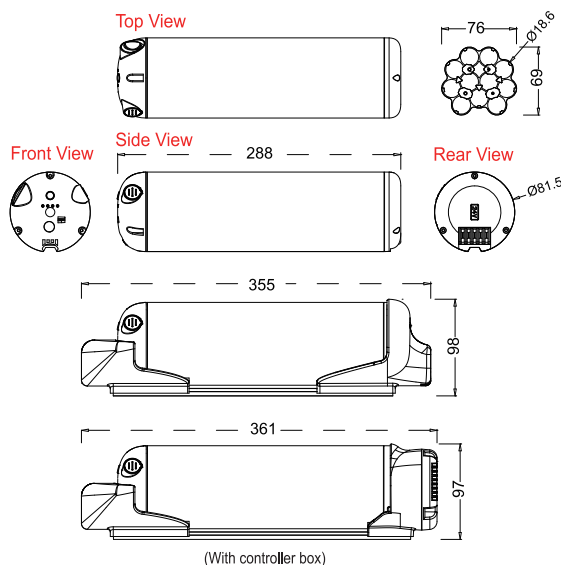
YL-WJG4 金龜四號

Discharge port: 5 Pin

Maximum Cells: 18650 30 pcs

Configurations: 10S3P

Battery Materials: Aluminum Alloy 6063/PC+ABS



Optional: Controller available (Model: ERC-U)

Charge port: DC2.1

LED indicator: 4 LED

Rate: 36V: 6.6Ah - 10.5Ah

Water Bottle Battery Packs

Sky Bull I Series



4A fast charger available, refer to P.125

Tube:
Ø92mm



Base Dimensions (mm):
345 (L) x 100 (W) x 113 (H)

With Controller Box Base
Dimensions (mm):
362 (L) x 100 (W) x 112 (H)

Colour: ■ Black □ Silver

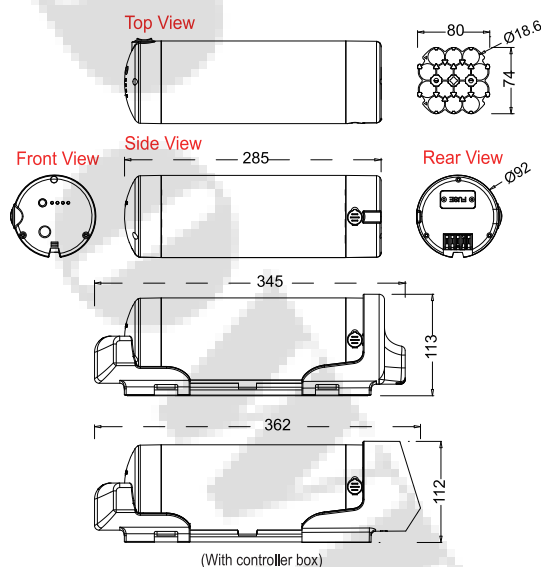
YL-WTN1 天牛一號

Discharge port: 5 Pin

Maximum Cells: 18650 39/ 40 pcs

Configurations: 13S3P/ 10S4P

Battery Materials: Aluminum Alloy 6063/PC+ABS



Optional: N/A

Charge port: DC2.1

LED indicator: 4 LED

Rate: 48V: 6.6Ah - 10.5Ah
36V: 8.8Ah - 14.0Ah

Sky Bull II Series

Water Bottle Battery Packs

 4A fast charger available, refer to P.125

Tube:
Ø85mm



Base Dimensions (mm):
335 (L) x 81 (W) x 78 (H)



Colour: Black Silver

YL-WTN2 天牛二號

Optional: N/A

Discharge port: 5 Pin

Charge port: DC3.0

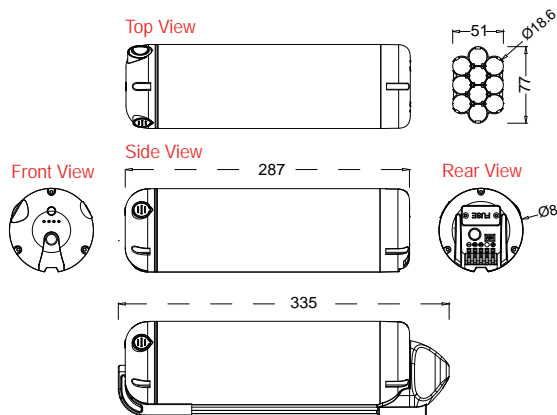
Maximum Cells: 18650 36 pcs

LED indicator: 4 LED

Configurations: 12S3P

Rate: 42V: 6.6Ah - 10.5Ah

Battery Materials: Aluminum Alloy 6063/PC+ABS



WTN - WXQ

Dragonfly I Series

Water Bottle Battery Packs

 4A fast charger available, refer to P.125

Tube:
Ø66mm



Extra space for motor controller



Standard Base
Dimensions (mm):
282 (L) x 71 (W) x 80 (H)



Optional Base
Dimensions (mm):
292 (L) x 84 (W) x 83 (H)

Colour: Black Silver

YL-WXQ1 小蜻蜓一號

Optional: Controller available (Model: ERC-T)

Discharge port: 5 Pin

Charge port: DC2.5

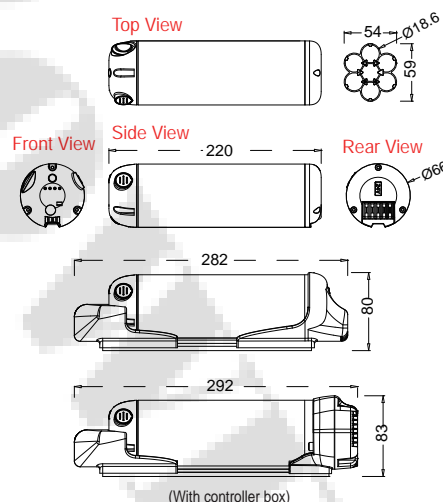
Maximum Cells: 18650 14 pcs

LED indicator: 4 LED

Configurations: 7S2P

Rate: 24V: 4.4Ah - 7.0Ah

Battery Materials: Aluminum Alloy 6063/PC+ABS



Water Bottle Battery Packs

Dragonfly II Series



4A fast charger available, refer to P.125

WXQ

Tube:
Ø66mm



Extra space for motor controller



Standard Base
Dimensions (mm):
350 (L) x 71 (W) x 80 (H)



Optional Base
Dimensions (mm):
360 (L) x 84 (W) x 83 (H)

Colour: ■ Black □ Silver

YL-WXQ2 小蜻蜓二號

Discharge port: 5 Pin

Maximum Cells: 18650 21 pcs

Configurations: 7S3P

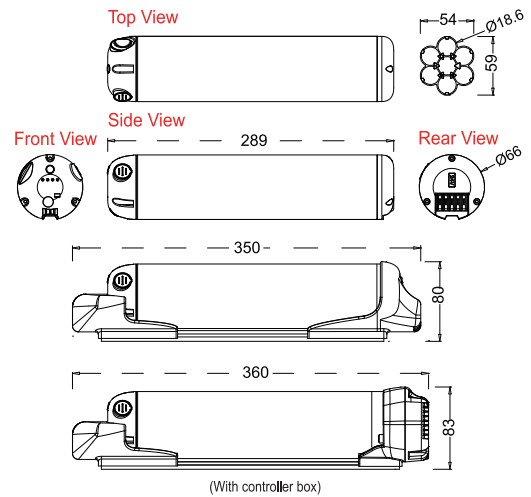
Battery Materials: Aluminum Alloy 6063/PC+ABS

Optional: Controller available (Model: ERC-T)

Charge port: DC2.5

LED indicator: 4 LED

Rate: 24V: 6.6Ah - 10.5Ah



Water Bottle Battery Packs

Dragonfly III Series



4A fast charger available, refer to P.125

Tube:
Ø66mm



Extra space for motor controller



Standard Base
Dimensions (mm):
350 (L) x 71 (W) x 80 (H)



Optional Base
Dimensions (mm):
360 (L) x 84 (W) x 83 (H)

Colour: ■ Black □ Silver

YL-WXQ3 小蜻蜓三號

Discharge port: 5 Pin

Maximum Cells: 18650 20 pcs

Configurations: 10S2P

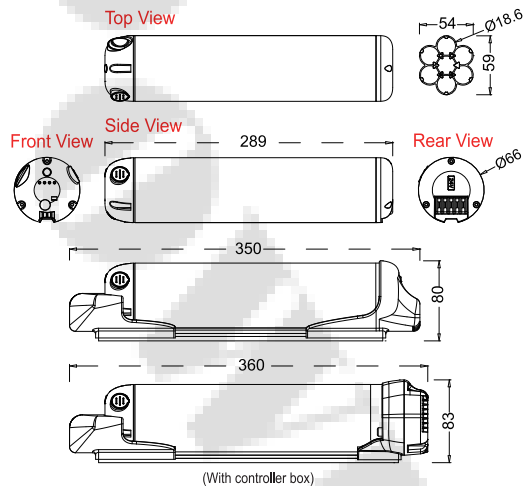
Battery Materials: Aluminum Alloy 6063/PC+ABS

Optional: Controller available (Model: ERC-T)

Charge port: DC2.1

LED indicator: 4 LED

Rate: 36V: 4.4Ah - 7.0Ah

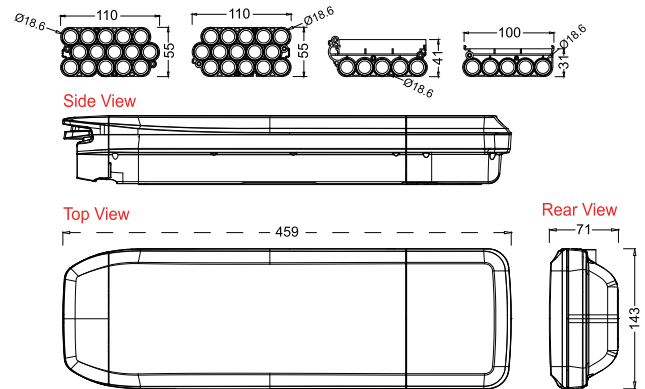


Apollo I Series

Rear Carrier Battery Packs



4A fast charger available, refer to P.125



CAP - CBY

Colour: ■ Black ■ Silver Grey

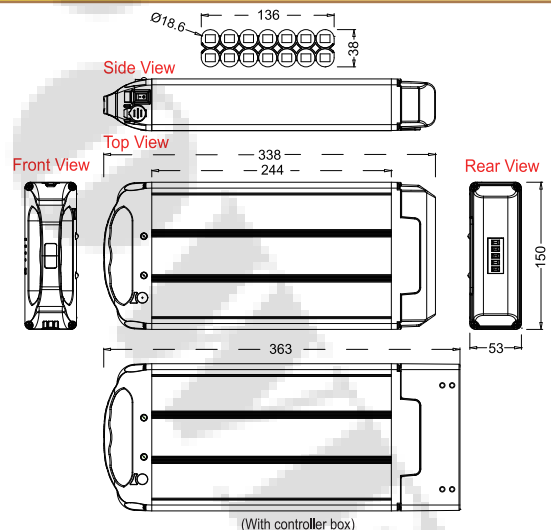
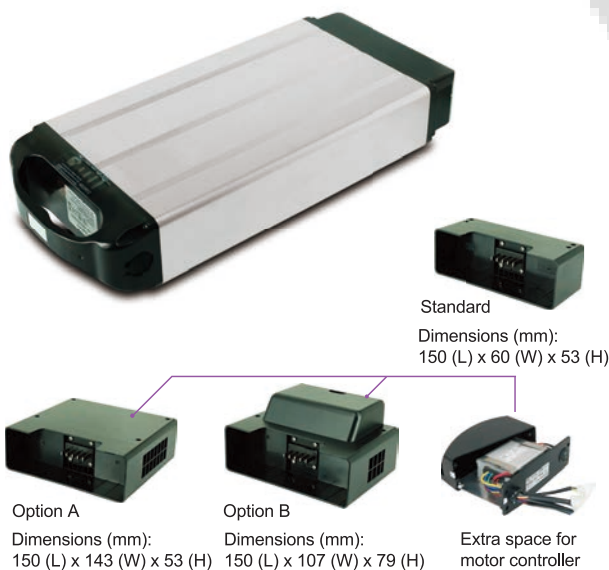
| | |
|---------------------------------|---|
| KN-CAP1 阿波羅一號 | Optional: Rear Light |
| Discharge port: 4 Pin | Charge port: DC2.1 |
| Maximum Cells: 18650 52/ 50 pcs | LED indicator: 5 LED |
| Configurations: 13S4P/ 10S5P | Rate: 48V: 8.8Ah - 14.0Ah 36V: 11.0Ah - 17.5Ah |
| Battery Materials: PC+ABS | |

White Cloud I Series

Rear Carrier Battery Packs



4A fast charger available, refer to P.125



| | |
|--|---|
| YL-CBY1 白雲一號 | Optional: Controller available (Model: ERC-A/C/F/G/H) |
| Discharge port: 5 Pin | Charge port: DC2.1/ DC2.5 |
| Maximum Cells: 18650 40/ 30/ 35 pcs | LED indicator: 4 LED |
| Configurations: 10S4P/ 10S3P/ 7S5P | Rate: 36V: 8.8Ah - 14.0Ah/ 6.6Ah - 10.5Ah 24V: 11.0Ah - 17.5Ah |
| Battery Materials: Aluminum Alloy 6063/ PC+ABS | |

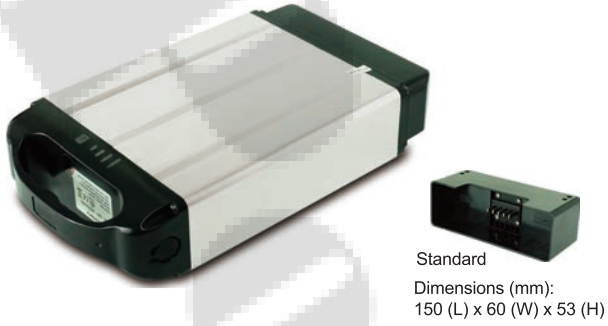
Rear Carrier Battery Packs

White Cloud II Series

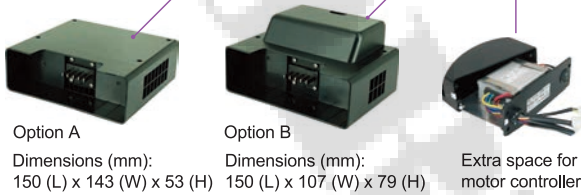


4A fast charger available, refer to P.125

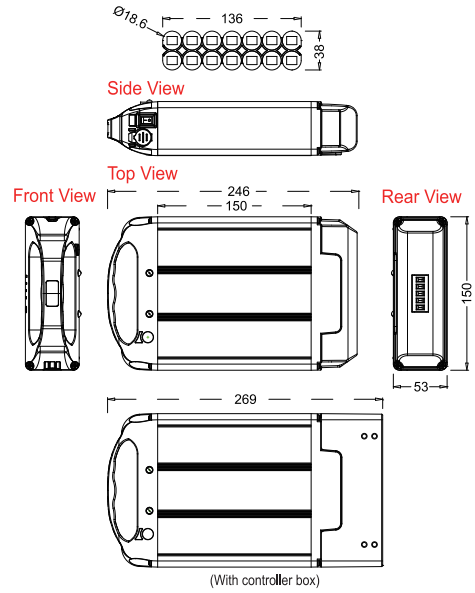
CBY - CCB



Standard
Dimensions (mm):
150 (L) x 60 (W) x 53 (H)



Option A Dimensions (mm): 150 (L) x 143 (W) x 53 (H)
Option B Dimensions (mm): 150 (L) x 107 (W) x 79 (H)
Extra space for motor controller



YL-CBY2 白雲二號

Optional: Controller available (Model: ERC-A/C/F/G/H)

Discharge port: 5 Pin

Charge port: DC2.5

Maximum Cells: 18650 28 pcs

LED indicator: 4 LED

Configurations: 7S4P

Rate: 24V: 8.8Ah - 14.0Ah

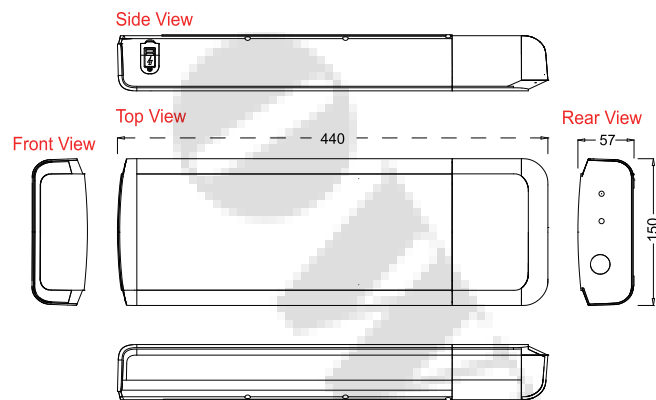
Battery Materials: Aluminum Alloy 6063/ PC+ABS

Rear Carrier Battery Packs

N115 I Series



4A fast charger available, refer to P.125



KN-CCB1 N115一號

Optional: N/A

Discharge port: 3 Pin

Charge port: DC2.1

Maximum Cells: 18650 52/ 50 pcs

LED indicator: N/A

Configurations: 13S4P/ 10S5P

Rate: 48V: 8.8Ah - 14.0Ah
36V: 11.0Ah - 17.5Ah

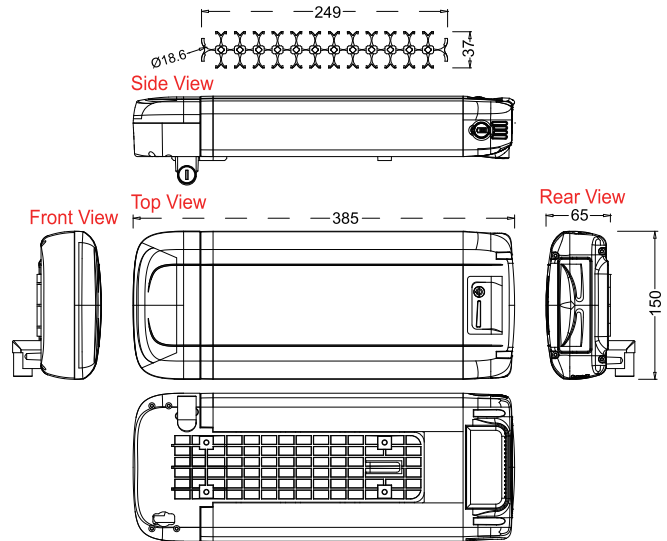
Battery Materials: PC+ABS

Blizzard I Series

Rear Carrier Battery Packs



4A fast charger available, refer to P.125



CFX - CGM

YL-CFX1 飛雪一號

Discharge port: 5 Pin

Maximum Cells: 18650 52/ 50 pcs

Configurations: 13S4P/ 10S5P

Battery Materials: Aluminum Alloy 6063/ PC+ABS

Optional: Rear Light

Charge port: DC2.1

LED indicator: 5 LED

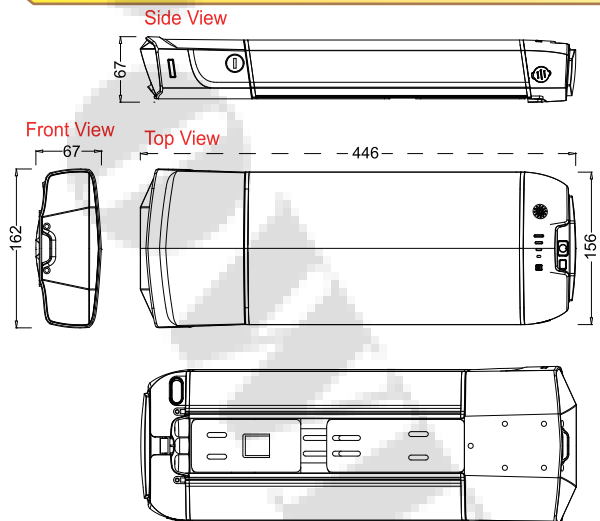
Rate: 48V: 8.8Ah - 14.0Ah
36V: 11.0Ah - 17.5Ah

Brilliance III Series

Rear Carrier Battery Packs



4A fast charger available, refer to P.125



RE-CGM3T 光芒三號

Discharge port: 7 Pin

Maximum Cells: 18650 52/ 50 pcs

Configurations: 13S4P/ 10S5P

Battery Materials: PC+ABS

Optional: Rear Light

Charge port: DC2.1

LED indicator: 4 LED

Rate: 48V: 8.8Ah - 14.0Ah
36V: 11.0Ah - 17.5Ah

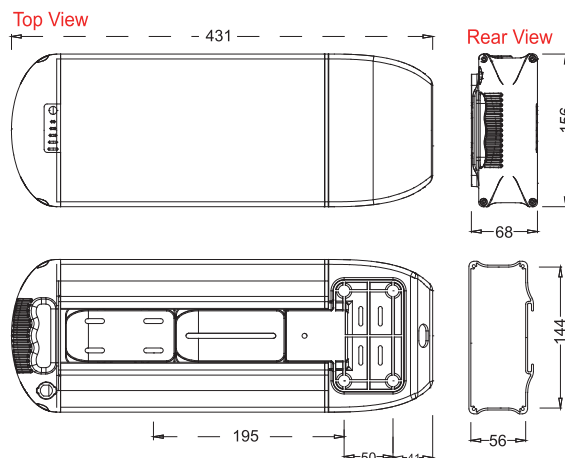
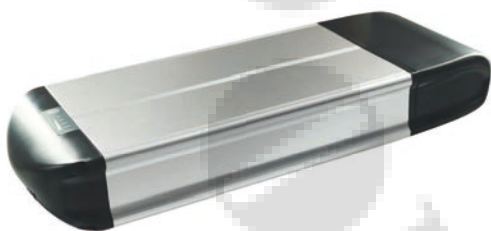
Rear Carrier Battery Packs

Dolphin I Series



4A fast charger available, refer to P.125

CHD



SS-CHD1 海豚一號

Optional: N/A

Discharge port: 2 Pin

Charge port: DC2.1

Maximum Cells: 18650 52/ 50 pcs

LED indicator: 5 LED

Configurations: 13S4P/ 10S5P

Rate: 48V: 8.8Ah - 14.0Ah
36V: 11.0Ah - 17.5Ah

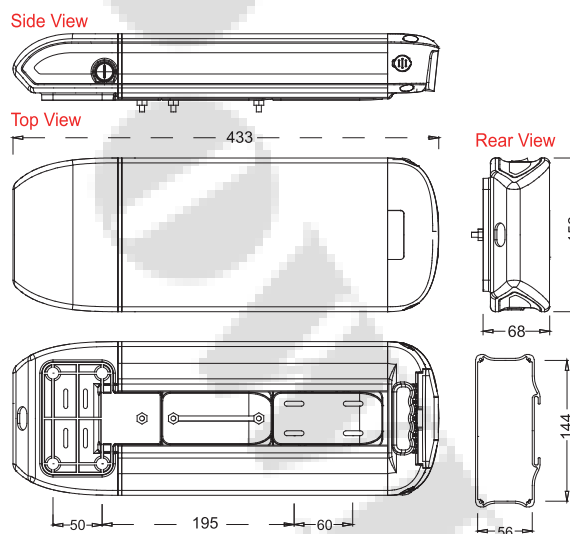
Battery Materials: Aluminum Alloy 6063/ PC+ABS

Rear Carrier Battery Packs

Dolphin III Series



4A fast charger available, refer to P.125



SS-CHD3 海豚三號

Optional: Rear Light

Discharge port: 2 Pin

Charge port: DC2.1

Maximum Cells: 18650 52/ 50 pcs

LED indicator: 5 LED

Configurations: 13S4P/ 10S5P

Rate: 48V: 8.8Ah - 14.0Ah
36V: 11.0Ah - 17.5Ah

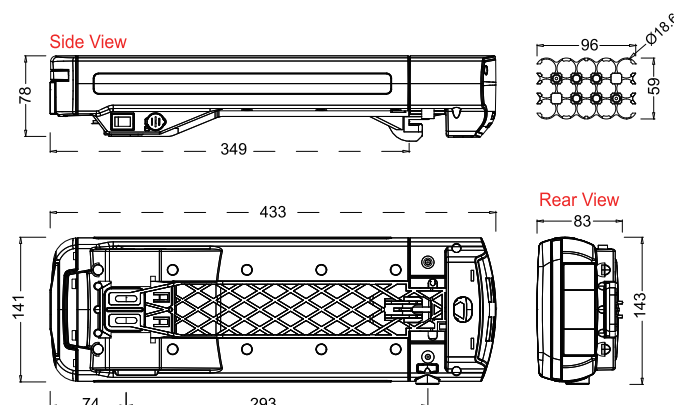
Battery Materials: Aluminum Alloy 6063/ PC+ABS

Seahorse I Series

Rear Carrier Battery Packs



4A fast charger available, refer to P.125



CHM - CHT

HY-CHM1UW 海瑪一號

NEW

Optional: N/A

Discharge port: 6 Pin

Charge port: DC2.1

Maximum Cells: 18650 40 pcs

LED indicator: 4 LED

Configurations: 10S4P

Rate: 36V: 6.6Ah - 10.5Ah

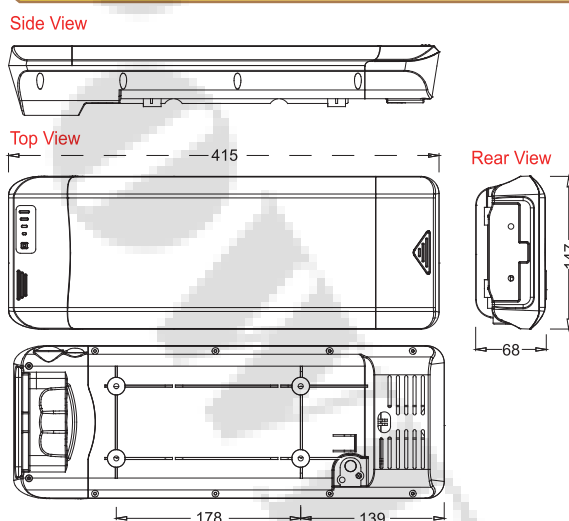
Battery Materials: Aluminum Alloy 6063/ PC+ABS

Hai Tian I Series

Rear Carrier Battery Packs



4A fast charger available, refer to P.125



SS-CHT1 海天一號

Optional: Reflector

Discharge port: 4 Pin

Charge port: DC2.1

Maximum Cells: 18650 40 pcs

LED indicator: 4 LED

Configurations: 10S4P

Rate: 36V: 8.8Ah - 14.0Ah

Battery Materials: PC+ABS

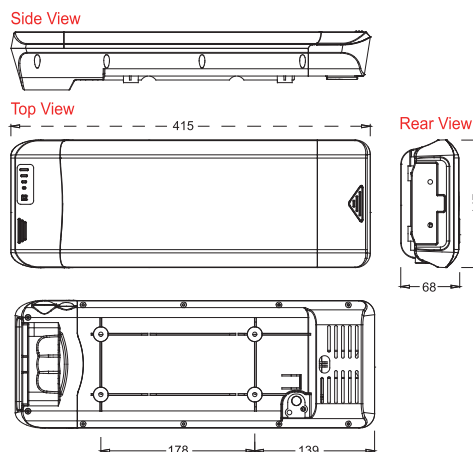
Rear Carrier Battery Packs

Hai Ying IV Series



4A fast charger available, refer to P.125

CHY - CJL



SS-CHY4 海鷹四號

Discharge port: 4 Pin

Maximum Cells: 18650 40 pcs

Configurations: 10S4P

Battery Materials: PC+ABS

Optional: Rear Light

Charge port: DC2.1

LED indicator: 4 LED

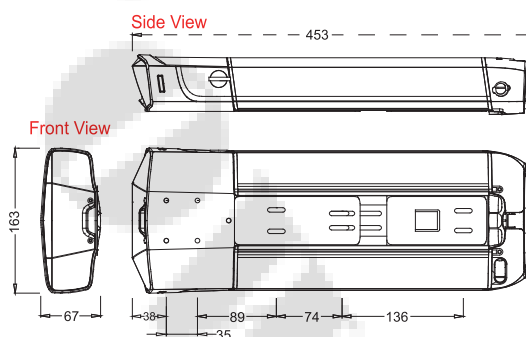
Rate: 36V: 8.8Ah - 14.0Ah

Rear Carrier Battery Packs

Lucky Dragon I Series



4A fast charger available, refer to P.125



SS-CJL1 吉龍一號

Discharge port: 6 Pin

Maximum Cells: 18650 52/ 50/ 40 pcs

Configurations: 13S4P/ 10S5P/ 10S4P

Battery Materials: Aluminum Alloy 6063/ PC+ABS

Optional: Rear Light

Charge port: DC2.1

LED indicator: 4 LED

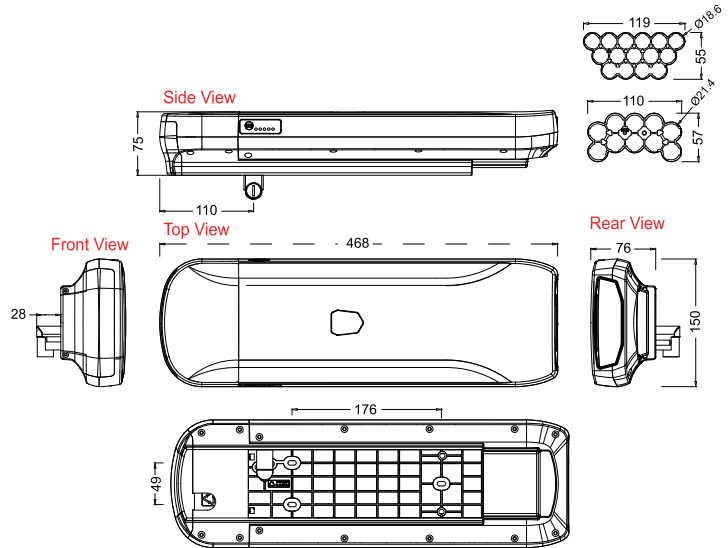
Rate: 48V: 8.8Ah - 14.0Ah
36V: 11.0Ah - 17.5Ah/ 8.8Ah - 14.0Ah

Kai Long I Series

Rear Carrier Battery Packs



4A fast charger available, refer to P.125



CKL - CLT

SS-CKL1 凱龍一號 **NEW**

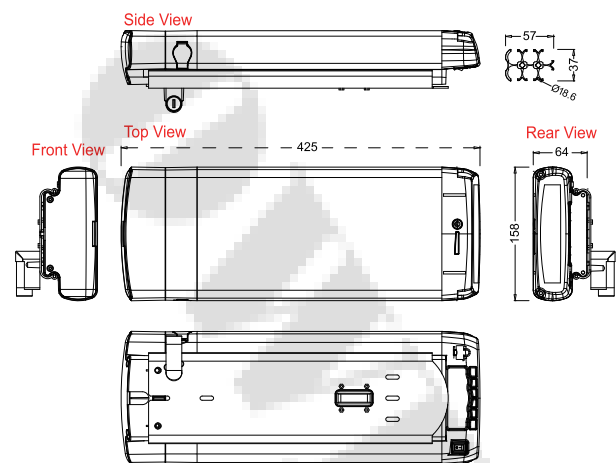
| | |
|---------------------------------------|-------------------------------------|
| Discharge port: 6 Pin | Optional: N/A |
| Maximum Cells: 21700 40& 18650 60 pcs | Charge port: DC2.1 |
| Configurations: 10S4P & 10S6P | LED indicator: 5 LED |
| Battery Materials: PC+ABS | Rate: 36V: 20.0Ah & 13.2Ah - 21.0Ah |

Blue Sky I Series

Rear Carrier Battery Packs



4A fast charger available, refer to P.125



YL-CLT1 藍天一號

| | |
|---|---|
| Discharge port: 5 Pin | Optional: USB Port & Rear Light |
| Maximum Cells: 18650 65/ 52/ 60/ 50/ 40 pcs | Charge port: DC2.1 |
| Configurations: 13S5P/ 13S4P/ 10S6P/ 10S5P/ 10S4P | LED indicator: 4 LED |
| Battery Materials: Aluminum Alloy 6063/ PC+ABS | Rate: 48V: 11.0Ah - 17.5Ah/ 8.8Ah - 14.0Ah 36V: 13.2Ah - 21.0Ah/ 11.0Ah - 17.5Ah 8.8Ah - 14.0Ah |

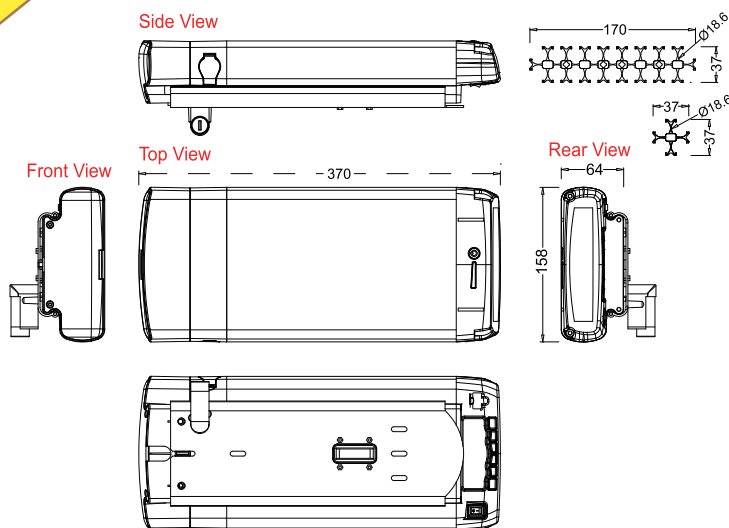
Rear Carrier Battery Packs

Blue Sky II Series



4A fast charger available, refer to P.125

CLT



YL-CLT2 藍天二號

Discharge port: 5 Pin

Maximum Cells: 18650 39/ 40/ 30 pcs

Configurations: 13S3P/ 10S4P/ 10S3P

Battery Materials: Aluminum Alloy 6063/ PC+ABS

Optional: USB Port & Rear Light

Charge port: DC2.1

LED indicator: 4 LED

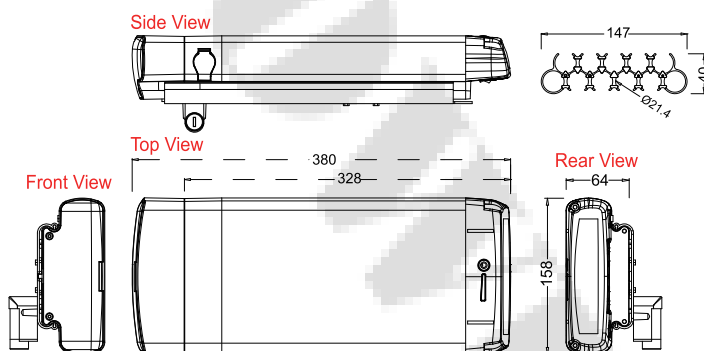
Rate: 48V: 6.6Ah - 10.5Ah
36V: 8.8Ah - 14.0Ah/ 6.6Ah - 10.5Ah

Rear Carrier Battery Packs

Blue Sky III Series



4A fast charger available, refer to P.125



YL-CLT3 藍天三號 **NEW**

Discharge port: 5 Pin

Maximum Cells: 21700 50 pcs

Configurations: 10S5P

Battery Materials: Aluminum Alloy 6063/PC+ABS

Optional: USB Port & Rear Light

Charge port: DC2.1

LED indicator: 4 LED

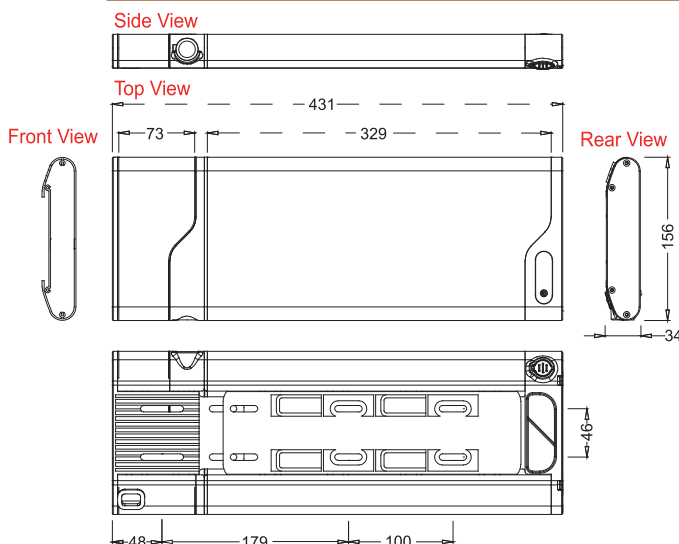
Rate: 36V: 25.0Ah

Shooting Star I Series

Rear Carrier Battery Packs



 4A fast charger available, refer to P.125



CLX - CLY

Colour: ■ Black □ White

SS-CLX1 流星一號

Discharge port: 5 Pin

Maximum Cells: 18650 30 pcs

Configurations: 10S3P

Battery Materials: Aluminum Alloy 6063/ PC+ABS

Optional: N/A

Charge port: DC2.1

LED indicator: 5 LED

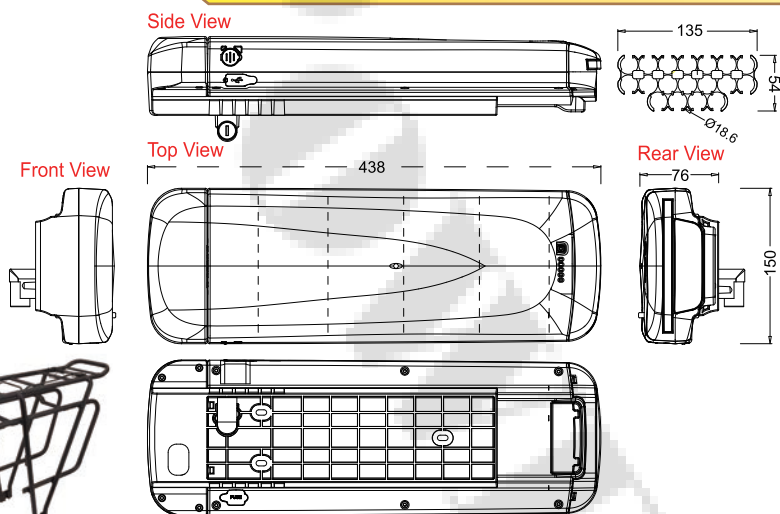
Rate: 36V: 6.6Ah - 10.5Ah

Thunderstorm I Series

Rear Carrier Battery Packs



 4A fast charger available, refer to P.125



Colour: ■ Black ■ Silver Grey

YL-CLY1 雷雨一號

Discharge port: 6 Pin

Maximum Cells: 18650 65/ 52/ 39/ 70/ 60/ 50/ 40 pcs

Configurations: 13S5P/ 13S4P/ 13S3P/
10S7P/ 10S6P/ 10S5P/ 10S4P

Battery Materials: PC+ABS

Optional: USB Port & Rear Light

Charge port: DC2.1

LED indicator: 5 LED

Rate: 48V: 11.0Ah - 17.5Ah/ 8.8Ah - 14.0Ah/ 6.6Ah - 10.5Ah
36V: 15.4Ah - 24.5Ah/ 13.2Ah - 21.0Ah/
11.0Ah - 17.5Ah/ 8.8Ah - 14.0Ah

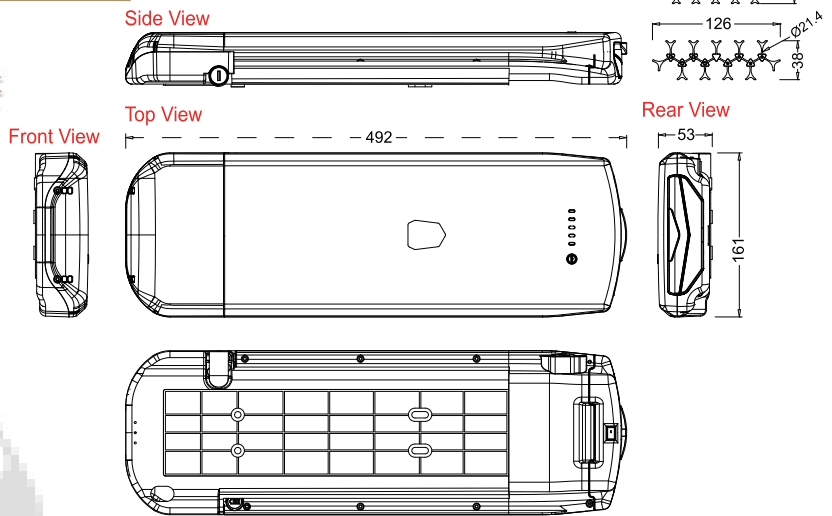
Rear Carrier Battery Packs

Lightning I Series



4A fast charger available, refer to P.125

CSD



YL-CSD1 閃電一號

Optional: USB Port & Rear Light

Discharge port: 5 Pin

Charge port: DC2.1

Maximum Cells: 21700 39/ 40 pcs & 18650 52/ 50 pcs LED indicator: 5 LED

Configurations: 13S3P/ 10S4P & 13S4P/ 10S5P

Rate: 48V: 15.0Ah & 8.8Ah - 14.0Ah
36V: 20.0Ah & 11.0Ah - 17.5Ah

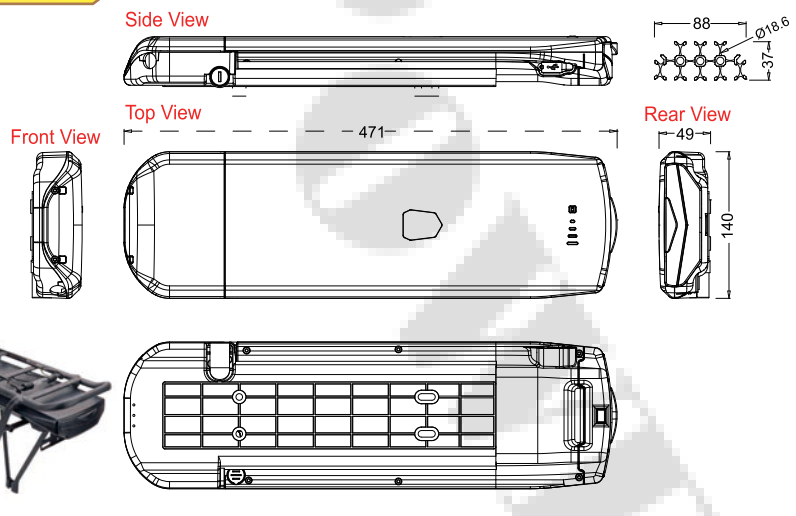
Battery Materials: PC+ABS

Rear Carrier Battery Packs

Lightning II Series



4A fast charger available, refer to P.125



YL-CSD2 閃電二號

Optional: USB Port & Rear Light

Discharge port: 6 Pin

Charge port: DC2.1

Maximum Cells: 18650 39/ 40 pcs

LED indicator: 4 LED

Configurations: 13S3P/ 10S4P

Rate: 48V: 6.6Ah - 10.5Ah
36V: 8.8Ah - 14.0Ah

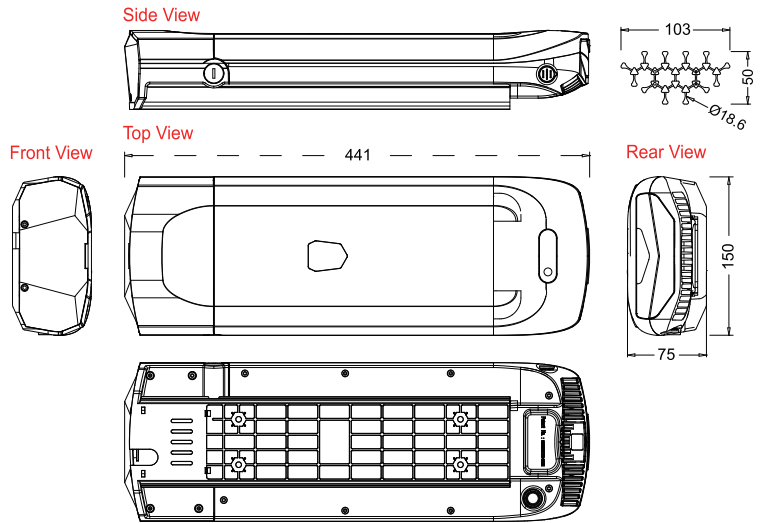
Battery Materials: PC+ABS

Matsushita II Series

Rear Carrier Battery Packs



4A fast charger available, refer to P.125



CSX - CTL

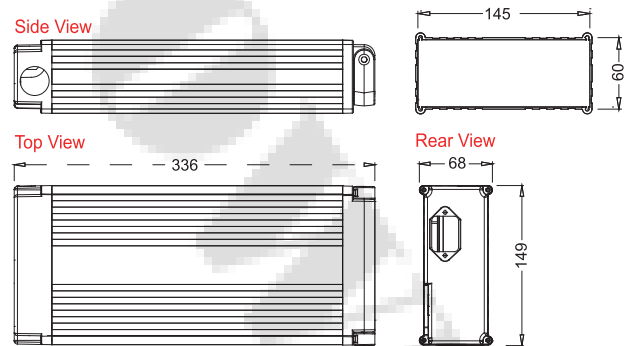
| | |
|--|---|
| YL-CSX2 松下二號 | Optional: Rear Light |
| Discharge port: 6 Pin | Charge port: DC2.1 |
| Maximum Cells: 18650 52/ 39/ 50/ 40 pcs | LED indicator: 5 LED |
| Configurations: 13S4P/ 13S3P/ 10S5P/ 10S4P | Rate: 48V: 8.8Ah- 14.0Ah/ 6.6Ah - 10.5Ah 36V: 11.0Ah - 17.5Ah/ 8.8Ah- 14.0Ah |
| Battery Materials: PC+ABS | |

Sky Dragon I Series

Rear Carrier Battery Packs



4A fast charger available, refer to P.125



| | |
|---|---|
| SS-CTL1 天龍一號 | Optional: N/A |
| Discharge port: 3 Pin | Charge port: DC2.1 |
| Maximum Cells: 18650 52/ 50 pcs | LED indicator: N/A |
| Configurations: 13S4P/ 10S5P | Rate: 48V: 8.8Ah - 14.0Ah 36V: 11.0Ah - 17.5Ah |
| Battery Materials: Aluminum Alloy 6063/PC+ABS | |

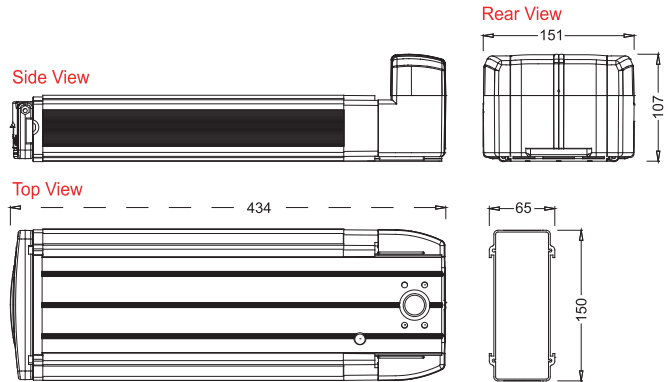
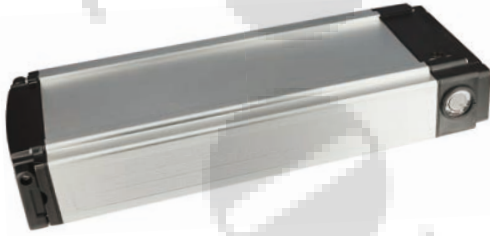
Rear Carrier Battery Packs

Sky Dragon III Series



4A fast charger available, refer to P.125

CTL - CWF



SS-CTL3 天龍三號

Optional: N/A

Discharge port: 4 Pin

Charge port: DC2.1

Maximum Cells: 18650 52/ 50 pcs

LED indicator: 3 LED

Configurations: 13S4P/ 10S5P

Rate: 48V: 8.8Ah - 14.0Ah
36V: 11.0Ah - 17.5Ah

Battery Materials: Aluminum Alloy 6063/PC+ABS

Rear Carrier Battery Packs

Breeze I Series



4A fast charger available, refer to P.125



Standard Dimensions (mm): 245 (L) x 148 (W) x 60 (H)

Option A Dimensions (mm): 294 (L) x 148 (W) x 74 (H)

Option B Dimensions (mm): 294 (L) x 148 (W) x 94 (H)

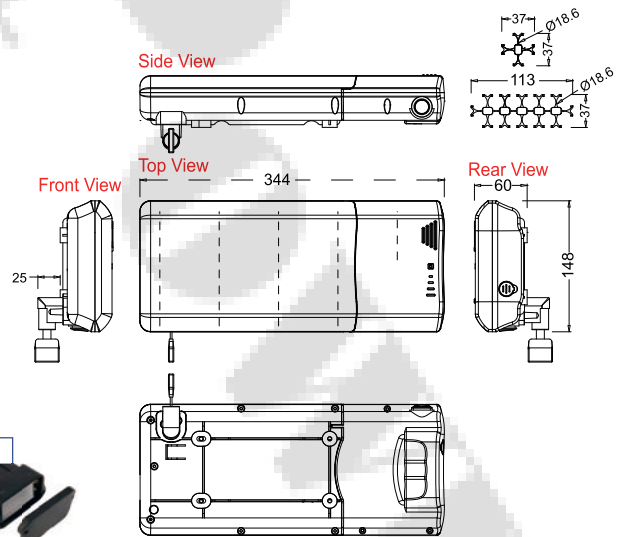


NEW

Option C Dimensions (mm): 309 (L) x 148 (W) x 74 (H)

Extra space for motor controller

Colour: Black Beige



YL-CWF1 微風一號

Optional: Controller available (Model: ERC-A/C/F/G/H)

Discharge port: 5 Pin

Charge port: DC2.1/ DC2.5

Maximum Cells: 18650 39/ 40/ 35 pcs

LED indicator: 4 LED

Configurations: 13S3P/ 10S4P/ 7S5P

Rate: 48V: 6.6Ah - 10.5Ah
36V: 8.8Ah - 14.0Ah
24V: 11.0Ah - 17.5Ah

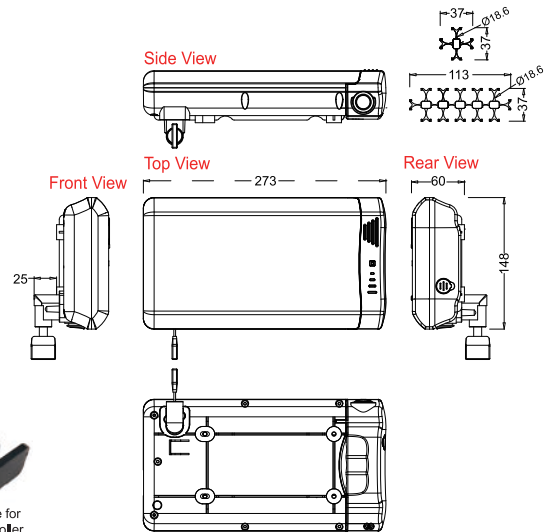
Battery Materials: PC+ABS

Breeze II Series

Rear Carrier Battery Packs



4A fast charger available, refer to P.125



CWF

Colour: Black Beige

YL-CWF2 微風二號

Optional: Controller available (Model: ERC-A/C/F/G/H)

Discharge port: 5 Pin

Charge port: DC2.1/ DC2.5

Maximum Cells: 18650 30/ 28 pcs

LED indicator: 4 LED

Configurations: 10S3P/ 7S4P

Rate: 36V: 6.6Ah - 10.5Ah
24V: 8.8Ah - 14.0Ah

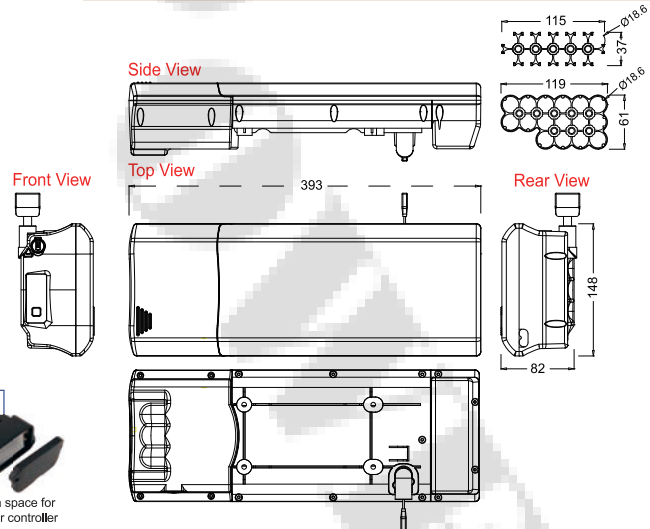
Battery Materials: PC+ABS

Breeze III Series

Rear Carrier Battery Packs



4A fast charger available, refer to P.125



YL-CWF3 微風三號 **NEW**

Optional: N/A

Discharge port: 6 Pin

Charge port: DC2.1

Maximum Cells: 18650 52/ 50 pcs

LED indicator: 4 LED

Configurations: 13S4P/ 10S5P

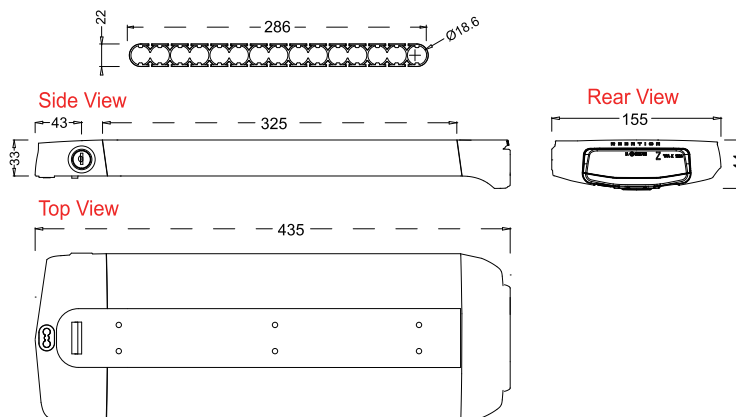
Rate: 48V: 8.8Ah - 14.0Ah
36V: 11.0Ah - 17.5Ah

Battery Materials: PC+ABS



4A fast charger available, refer to P.125

CWF



Colour: ■ Black □ Silver

RE-CYS1 銀鯊一號

Optional: N/A

Discharge port: 5 Pin

Charge port: DC2.1

Maximum Cells: 18650 30 pcs

LED indicator: 4 LED

Configurations: 10S3P

Rate: 36V: 6.6Ah - 10.5Ah

Battery Materials: Aluminum Alloy 6063/PC+ABS

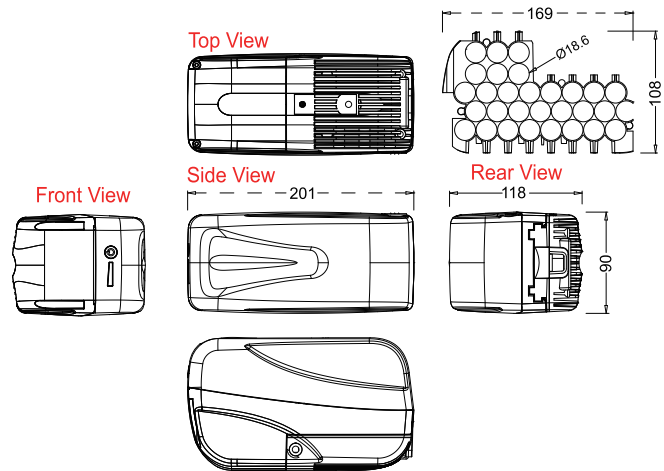


Sea Turtle I Series

Rear Carrier Battery Packs



4A fast charger available, refer to P.125



MHG - MHM

YL-MHG1 海龜一號

Optional: Controller available (Model: ERC-E)

Discharge port: 5 Pin

Charge port: DC2.1/ DC2.5

Maximum Cells: 18650 30/ 28 pcs

LED indicator: 4 LED

Configurations: 10S3P/ 7S4P

Rate: 36V: 6.6Ah - 10.5Ah
24V: 8.8Ah - 14.0Ah

Battery Materials: Aluminum Alloy 6063/PC+ABS

Seahorse I Series

Rear Carrier Battery Packs



4A fast charger available, refer to P.125



Connection Options:



Option A: Welding
Dimensions (mm):
94 (L) x 80 (W) x 60 (H)

Option C: Welding - with Controller
Box Base Dimensions (mm):
117 (L) x 94 (W) x 60 (H)



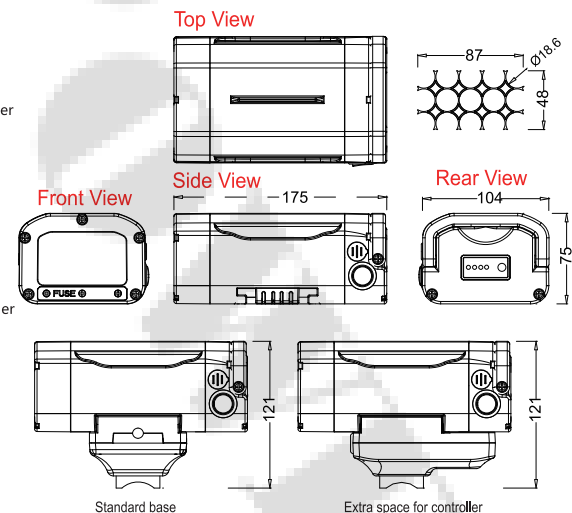
Option B: Clipping
Dimensions (mm):
94 (L) x 80 (W) x 101 (H)



Option D: Clipping - with Controller
Box Base Dimensions (mm):
117 (L) x 94 (W) x 101 (H)



Colour: ■ Black □ Beige



YL-MHM1 海馬一號

Optional: Controller available (Model: ERC-V)

Discharge port: 4 Pin

Charge port: DC2.5

Maximum Cells: 18650 28 pcs

LED indicator: 4 LED

Configurations: 7S4P

Rate: 24V: 8.8Ah - 14.0Ah

Battery Materials: PC+ABS

Multi-fit Battery Packs

Starfish I Series



4A fast charger available, refer to P.125

MHX--MLJ



Connection Options:

Option A: Welding
Dimensions (mm):
94 (L) x 80 (W) x 60 (H)



Option B: Clipping
Dimensions (mm):
94 (L) x 80 (W) x 101 (H)



Option C: Welding - with Controller
Box Base Dimensions (mm):
117 (L) x 94 (W) x 60 (H)

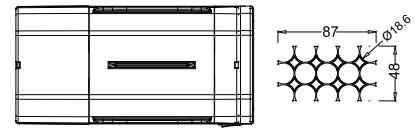


Option D: Clipping - with Controller
Box Base Dimensions (mm):
117 (L) x 94 (W) x 101 (H)

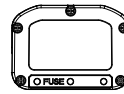


Colour: ■ Black □ Beige

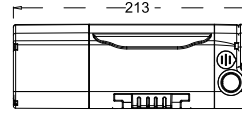
Top View



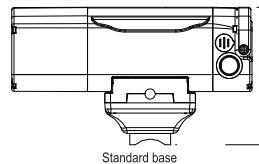
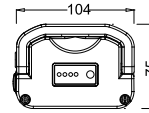
Front View



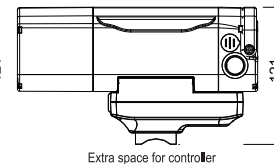
Side View



Rear View



Standard base



Extra space for controller

YL-MHX1 海星一號

Optional: Controller available (Model: ERC-V)

Discharge port: 4 Pin

Charge port: DC2.1

Maximum Cells: 18650 30pcs

LED indicator: 4 LED

Configurations: 10S3P

Rate: 36V: 6.6Ah - 10.5Ah

Battery Materials: PC+ABS

Multi-fit Battery Packs

Blue Whale I Series



4A fast charger available, refer to P.125



Connection Options:

Option A: Welding
Dimensions (mm):
94 (L) x 80 (W) x 60 (H)



Option B: Clipping
Dimensions (mm):
94 (L) x 80 (W) x 101 (H)



Option C: Welding - with Controller
Box Base Dimensions (mm):
117 (L) x 94 (W) x 60 (H)

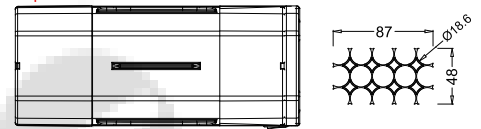


Option D: Clipping - with Controller
Box Base Dimensions (mm):
117 (L) x 94 (W) x 101 (H)

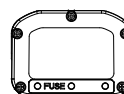


Colour: ■ Black □ Beige

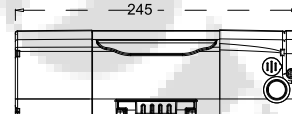
Top View



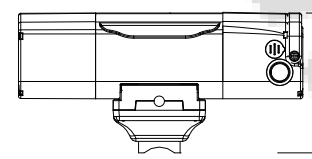
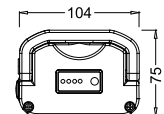
Front View



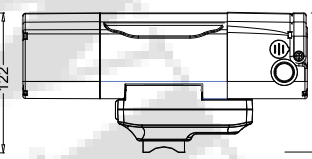
Side View



Rear View



Standard base



Extra space for controller

YL-MLJ1 藍鯨一號

Optional: Controller available (Model: ERC-V)

Discharge port: 4 Pin

Charge port: DC2.1

Maximum Cells: 18650 39/ 40pcs

LED indicator: 4 LED

Configurations: 13S3P/ 10S4P

Rate: 48V: 6.6Ah - 10.5Ah
36V: 8.8Ah - 14.0Ah

Battery Materials: PC+ABS

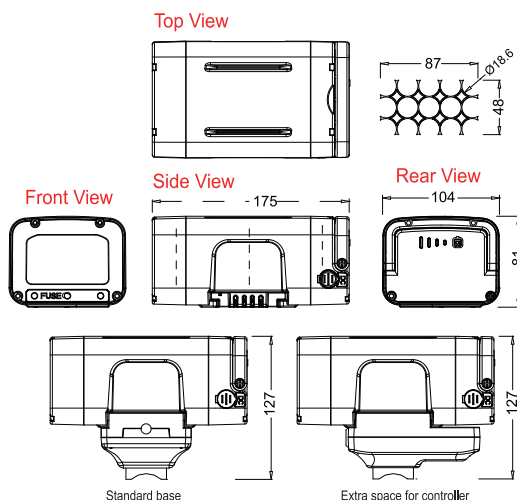
Coral I Series

Multi-fit Battery Packs

 **4A fast charger available, refer to P.125**



Colour: Black Beige



MSH - MSM

| | |
|---------------------------------|--|
| YL-MSH1 珊瑚一號 | Optional: Controller available (Model: ERC-V) |
| Discharge port: 4 Pin | Charge port: DC2.1/ DC2.5 |
| Maximum Cells: 18650 30/ 28 pcs | LED indicator: 4 LED |
| Configurations: 10S3P/ 7S4P | Rate: 36V: 6.6Ah - 10.5Ah 24V: 8.8Ah - 14.0Ah |
| Battery Materials: PC+ABS | |

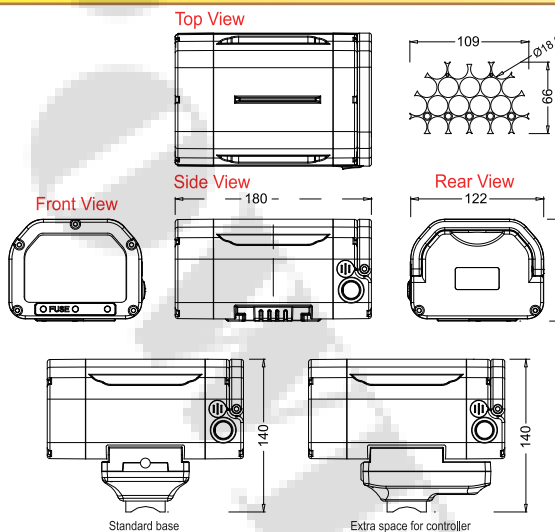
Jellyfish I Series

Multi-fit Battery Packs

 **4A fast charger available, refer to P.125**



Colour: Black Beige



| | |
|---------------------------------|--|
| YL-MSM1 水母一號 | Optional: Controller available (Model: ERC-V) |
| Discharge port: 4 Pin | Charge port: DC2.1 |
| Maximum Cells: 18650 39/ 40 pcs | LED indicator: 4 LED |
| Configurations: 13S3P/ 10S4P | Rate: 48V: 6.6Ah - 10.5Ah 36V: 8.8Ah - 14.0Ah |
| Battery Materials: PC+ABS | |

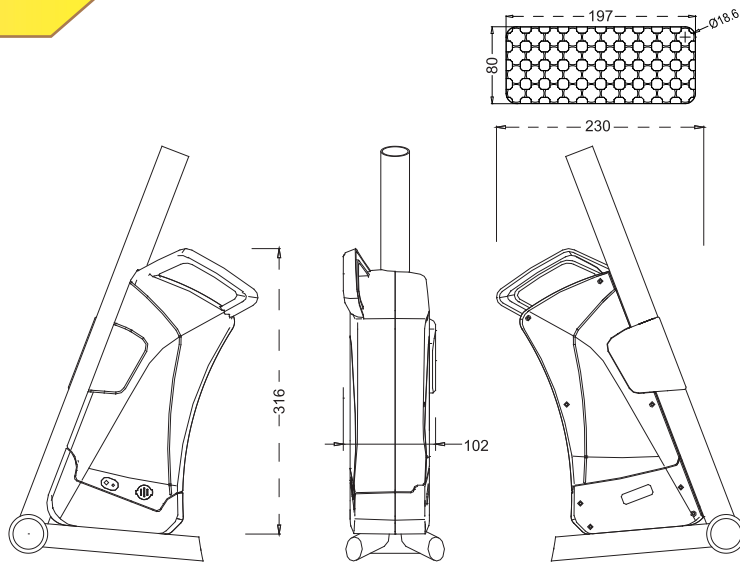
Seat Post Battery Packs

Starfish II Series



4A fast charger available, refer to P.125

SHX - SYY



SS-SHX2 海星二號

Discharge port: 5 Pin

Maximum Cells: 18650 40 pcs

Configurations: 10S4P

Battery Materials: PC+ABS

Optional: N/A

Charge port: DC2.1

LED indicator: 4 LED

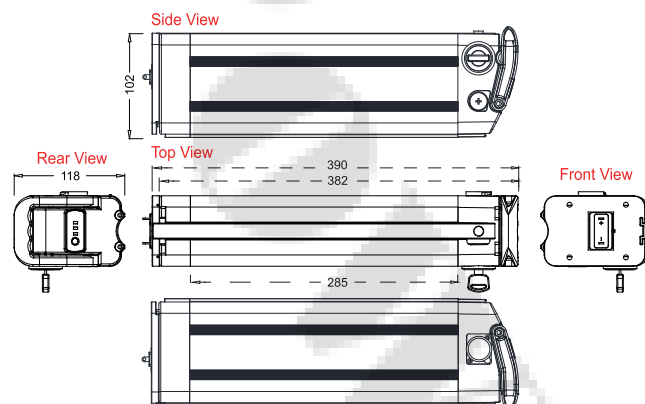
Rate: 36V: 8.8Ah - 14.0Ah

Seat Post Battery Packs

Whitebait Series



4A fast charger available, refer to P.125



SS-SYY14 銀魚下放電

Discharge port: 4 Pin

Maximum Cells: 18650 65/ 60 pcs

Configurations: 13S5P/ 10S6P

Battery Materials: PC+ABS

Optional: N/A

Charge port: 3 Pin

LED indicator: 4 LED

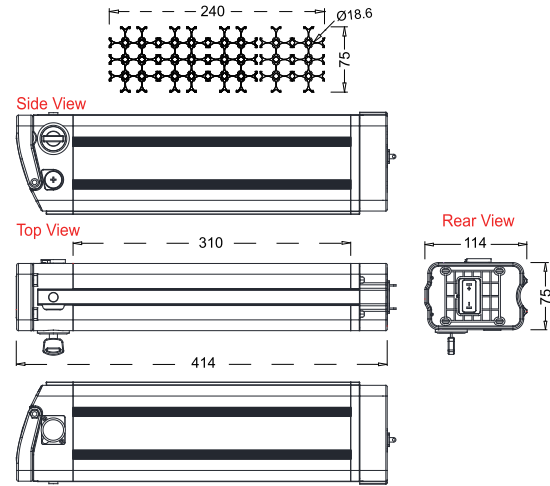
Rate: 48V: 11.0Ah - 17.5Ah
36V: 13.2Ah - 21.0Ah

Whitebait Series

Seat Post Battery Packs



 4A fast charger available, refer to P.125



SYY

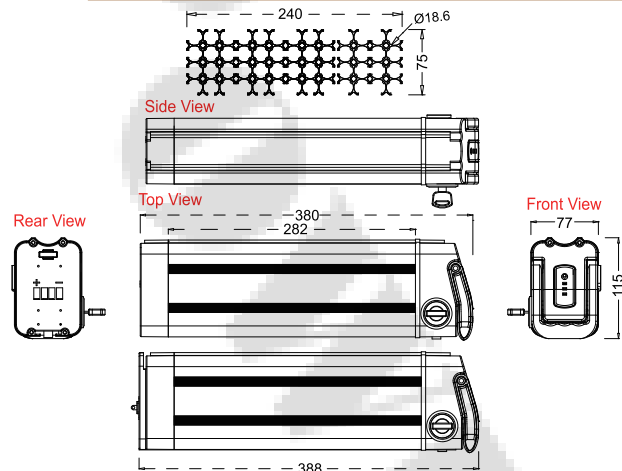
| | |
|-----------------------------|----------------------------|
| SS-SYY53 銀魚防震款 | Optional: N/A |
| Discharge port: 5 Pin | Charge port: DC 2.1 |
| Maximum Cells: 18650 60 pcs | LED indicator: 4 LED |
| Configurations: 10S6P | Rate: 36V: 13.2Ah - 21.0Ah |
| Battery Materials: PC+ABS | |

Whitebait Series

Seat Post Battery Packs



 4A fast charger available, refer to P.125



| | |
|-----------------------------|---------------------------|
| SS-SYY69 銀魚下放電 | Optional: N/A |
| Discharge port: 4 Pin | Charge port: 3 Pin |
| Maximum Cells: 18650 40 pcs | LED indicator: 4 LED |
| Configurations: 10S4P | Rate: 36V: 8.8Ah - 14.0Ah |
| Battery Materials: PC+ABS | |

Seat Post Battery Packs

Whitebait Series

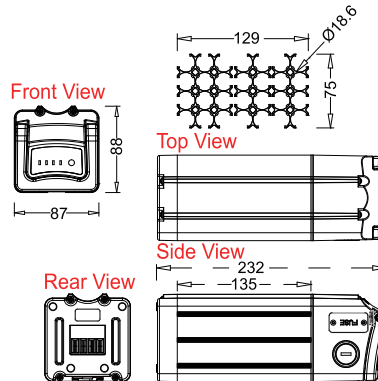
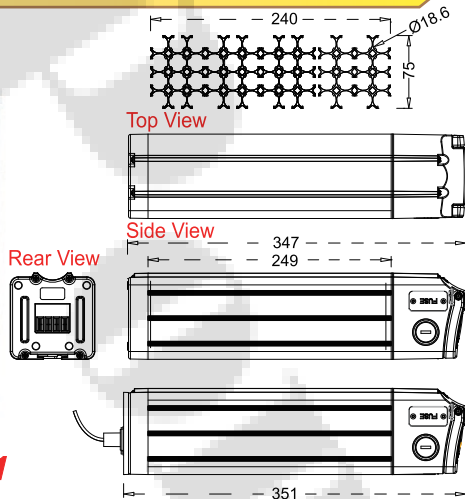


4A fast charger available, refer to P.125

SY Y



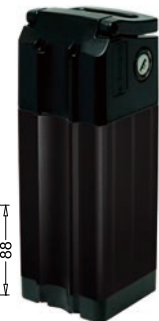
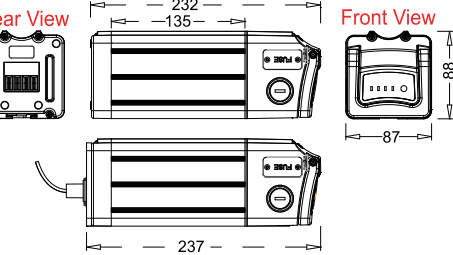
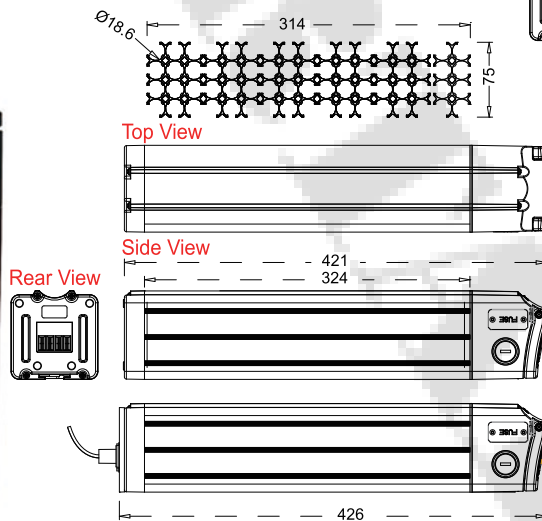
YL-SYY1
銀魚一號



YL-SYY2
銀魚二號



YL-SYY3
銀魚三號



YL-SYY4
銀魚四號

Colour: ■ Black □ Silver

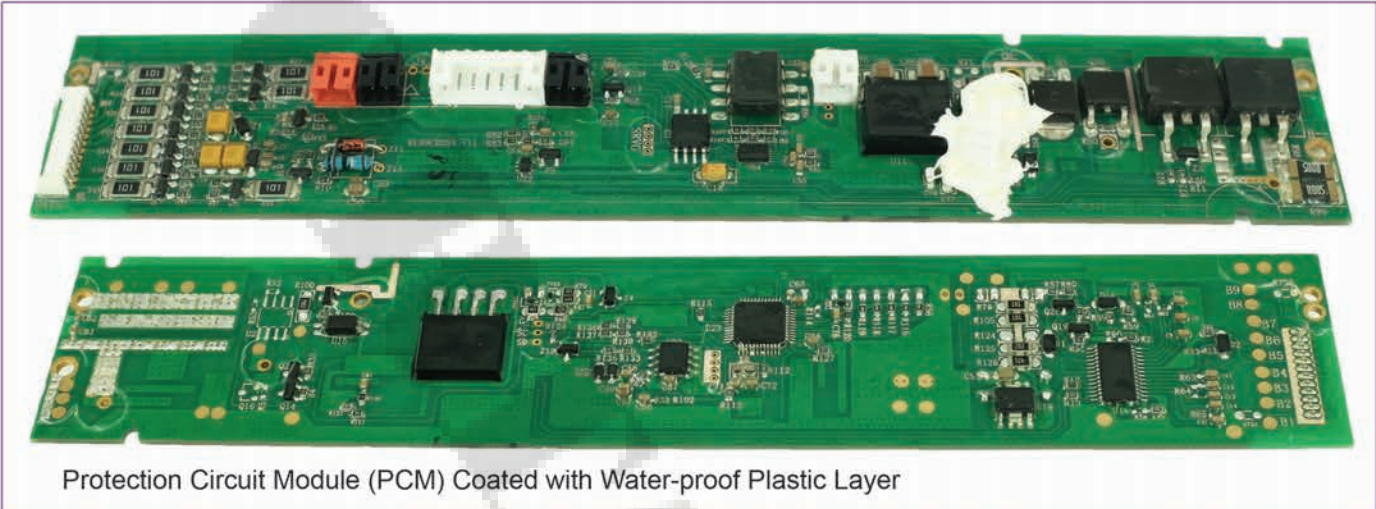
| Model | YL-SYY1 | YL-SYY2 | YL-SYY3 | YL-SYY4 |
|----------------|--|---------------------|---|---|
| Maximum Cells | 18650 52/50 pcs | 18650 28 pcs | 18650 65/60 pcs | 18650 39/40 pcs |
| Configurations | 13S4P/10S5P | 7S4P | 13S5P/10S6P | 13S3P/10S4P |
| Rate | 48V: 8.8Ah - 14.0Ah/ 36V: 11.0Ah - 17.5Ah | 24V: 8.8Ah - 14.0Ah | 48V: 11.0Ah - 17.5Ah/ 36V: 13.2Ah - 21.0Ah | 48V: 6.6Ah - 10.5Ah/ 36V: 8.8Ah - 14.0Ah |
| Charge port | DC2.1 | DC2.5 | DC2.1 | DC2.1 |
| Discharge port | 4 Pin | | | |
| LED indicator | 4 LED | | | |
| Lock | Mechanical Lock | | | |
| Materials | Aluminum Alloy 6063/PC+ABS | | | |

Li-ion Battery Pack Featuring Reliable Designs



1. Intelligent Protection Circuit Module provides:

- Cell Balancing
- Over-Charge Protection
- Short Circuit Protection
- Secondary Protection
- Over-Discharge Protection
- Communication Protocol
- Temperature Protection
- Over-Current Protection



Protection Circuit Module (PCM) Coated with Water-proof Plastic Layer

2. Water & Dust Resistant of Protection Circuit Module (PCM)

A layer of water-proof plastic coating has been applied to prevent damages of the Protection Circuit Module (PCM) to be caused by both water and dust. The level of ingress protection reaches IP65^x, i.e. the PCM is well protected even the battery pack is sank into water.

^x IP65 of the Ingress Protection Rating System – the higher the number, the better protection.

| | |
|----|--|
| IP | Means Ingress Protection System (with a 2-digit rating). |
| 6 | The first digit (IP6_) relates to ingress protection against solid objects; and '6' means dust tight, i.e. no ingress of dust. |
| 5 | The second digit (IP_5) relates to ingress protection against water; and '5' means protected against water jets, i.e. water projected from a nozzle (6.3mm) against the enclosure from any direction shall have no harmful effect. |

3. Automatic Sleep Mode:

Sleep Mode shuts off the output of the battery pack automatically to prevent it from complete discharge during prolonged storage or inactivity.

Option A:

If the battery is inactivated for more than *10 hours^{xx}*, the battery circuit will automatically turn off its output.

Option B:

If the battery output is under 0.5A current, the battery circuit will automatically turn off its output after *4 hours^{xx}*.

^{xx} May adjust the activation time of the Sleep Mode to suit the needs of different clients.

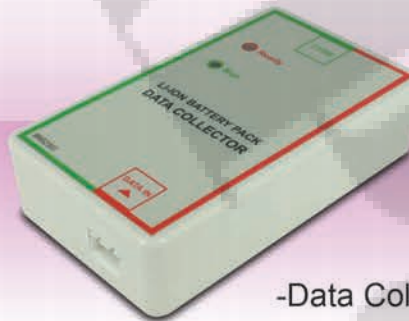
Li-ion Battery Pack Featuring Reliable Designs



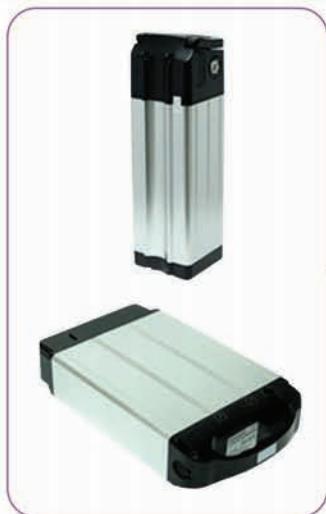
4. Built-in Gas Gauge IC

The protection circuit board with built-in Gas Gauge IC monitors battery status and enables data output to various data collectors, by means of HDQ protocol, UART protocol or Canbus protocol.

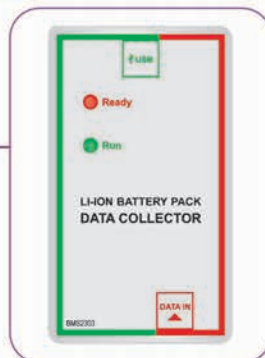
| Battery Data | HDQ Protocol | UART Protocol | Canbus Protocol |
|--------------------------------|--------------|---------------|-----------------|
| Cell Type | ✓ | ✓ | ✓ |
| Cell Configurations | ✓ | ✓ | ✓ |
| Battery Type | ✓ | ✓ | ✓ |
| Battery Model | — | ✓ | ✓ |
| Voltage | ✓ | ✓ | ✓ |
| Rate | ✓ | ✓ | ✓ |
| Temperature | ✓ | ✓ | ✓ |
| Total Number of Cycles | ✓ | ✓ | ✓ |
| Battery Life | — | ✓ | ✓ |
| Battery Serial No. | — | ✓ | ✓ |
| Manufacturer Name | — | ✓ | ✓ |
| Manufacturer Data | — | ✓ | ✓ |
| 500 Times of Discharge History | — | ✓ | ✓ |
| 500 Times of Charge History | — | ✓ | ✓ |
| Repair History | — | ✓ | ✓ |



-Data Collector



Smart Lithium Battery



Data Collector



Read by PC with Specialized Monitoring Software



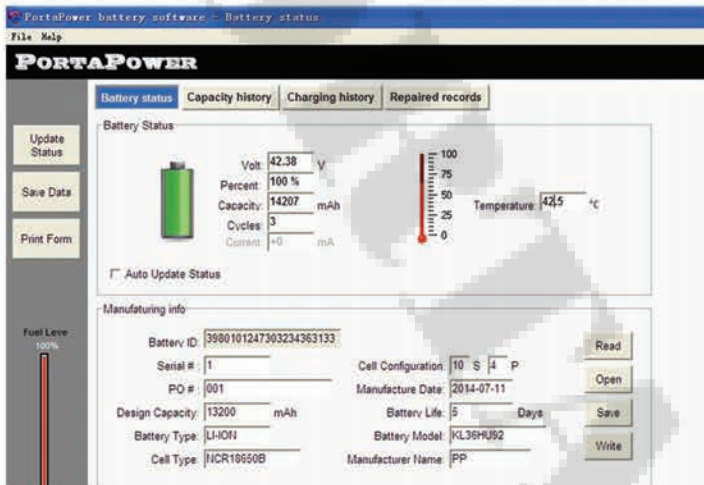
Read by LCD Panel

Designed specifically for engineering testing. User can collect the battery data with the **LI-ION BATTERY PACK DATA COLLECTOR**; and all the data will be shown on the screen / PC.

Battery Read-out by UART Protocol

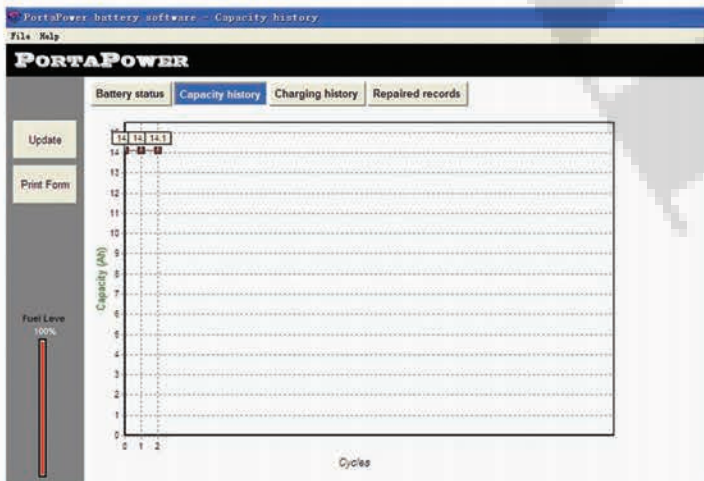


Model: YL-CWF1-HU104



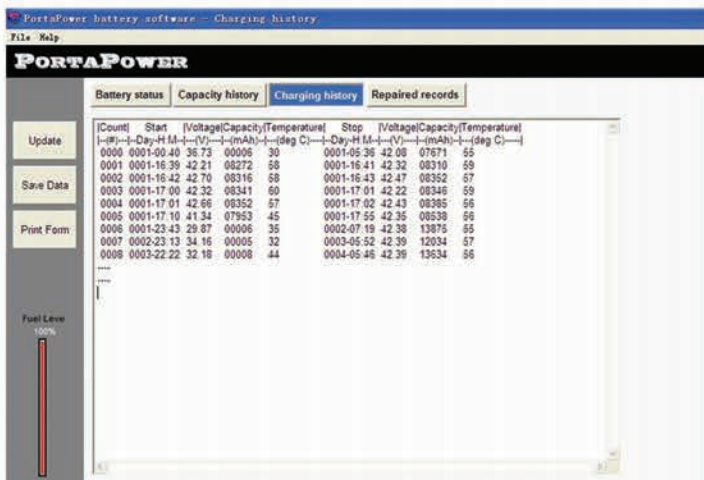
Battery Status Read-out

- Connect the data collector to the PC with an USB cable.
- Start the software program.
- All battery data will be shown, such as battery voltage, capacity, temperature, and cell configurations, etc.



Battery Capacity History Read-out

- A maximum of 500 discharging cycles in record.
- Discharge curve and data are printable.



Battery Charging History Read-out

- A maximum of 500 charging cycles in record.
- Charging records could be saved in .txt file and printed.

Battery Discharge Current Specifications

In order to choose a suitable battery for your vehicle at best, high discharge current is also available according to various specifications in the market.

| Cell Brand | Cell Model | Cell Code | Configurations | Rate (Ah) | Maximum Discharge Current* | | |
|------------|--------------|-----------|----------------|-----------|----------------------------|---------|-----|
| | | | | | Continue | 10 mins | 5s |
| Panasonic | UR18650AA | 082 | 3P | 6.75 | 10A | 13A | 18A |
| | | | 4P or above | ≥8.7 | 15A | 18A | 35A |
| | NCR18650GA | 906 | 3P | 10.5 | 10A | 13A | 18A |
| | | | 4P or above | >10.5 | 15A | 18A | 35A |
| | UR18650ZM2 | ZM2 | 3P | 7.5 | 10A | 13A | 18A |
| | | | 4P or above | ≥10 | 15A | 18A | 35A |
| | NCR18650BD | 909 | 3P | 9.6 | 10A | 13A | 18A |
| | | | 4P or above | ≥12.6 | 15A | 18A | 35A |
| YLE | N18650D260 | 826 | 3P | 6.6 | 10A | 13A | 18A |
| | | | 4P or above | ≥8.8 | 15A | 18A | 35A |
| | N18650D290 | 89D | 2P | 5.8 | 10A | 13A | 18A |
| | | | 3P | 8.7 | 13A | 15A | 25A |
| Samsung | ICR18650-26J | 806 | 3P | 6.6 | 10A | 13A | 18A |
| | | | 4P or above | ≥8.8 | 15A | 18A | 35A |
| | INR18650-35E | 916 | 3P | 10.5 | 10A | 13A | 18A |
| | | | 4P or above | >10.5 | 15A | 18A | 35A |

* Maximum discharge current value is subject to change.
Please refer to the respective specification sheet of different products for the most updated details.

Extra Information Battery Packs Model Code Structure

High Discharge Current Version
e.g. YL-MSM1-H104G.804

| | | | | | | | | |
|----|---|-----------------------|--------------|---|----------------------------|--------------------------|-----------------|-----------------|
| YL | - | M | SM1 | - | H | 104 | G | .804 |
| | | M = Multi-fit Battery | SM1 = Series | | H = High Discharge Current | 104 = Cell configuration | G = Beige Color | 804 = Cell Code |

Sleep Mode Version
e.g. SS-DHL1-PS134B.916

| | | | | | | | | | |
|----|---|-----------------------|--------------|---|----------------|------------------|--------------------------|-----------------|-----------------|
| SS | - | D | HL1 | - | P | S | 134 | B | .916 |
| | | D = Down Tube Battery | HL1 = Series | | P = Sleep mode | S = HDQ Protocol | 134 = Cell configuration | B = Black Color | 916 = Cell Code |

Summary Table

40W Chargers

| | |
|-----------------------------|-----------------------------------|
| Model | CPF040715 |
| Battery Voltage | 24V |
| DC Output /Charging Current | 29.4V Max.1.5A |
| AC Input | 100V - 240V |
| Input Frequency | 50Hz / 60Hz |
| Efficiency (full load) | ≥ 85% |
| Dimensions | 102.5 (L) x 50.5 (W) x 31.3(H) mm |
| Certifications | CE, FCC |

60W Chargers

| | | |
|-----------------------------|--------------------------------|----------------------------------|
| Model | CPF061015 | CTF060720 |
| Battery Voltage | 36V | 24V |
| DC Output /Charging Current | 42V MAX.1.5A | 29.4V Max. 2A |
| AC Input | 100V - 240V | |
| Input Frequency | 50Hz / 60Hz | |
| Efficiency (full load) | ≥ 83% | ≥ 85% |
| Dimensions | 110.5 (L) x 55 (W) x 32 (H) mm | 111 (L) x 51.3 (W) x 33.8 (H) mm |
| Certifications | CE, FCC | CE, FCC, RoHs |

80W Chargers

| | | | |
|------------------------------|------------------------------------|--------------------------------|---|
| Model | CTF081020 | CPF081020 | CMM081020 |
| Battery Voltage | 36V | | |
| DC Output / Charging Current | 42.0V Max. 2A | | |
| AC Input | 100V - 240V | | |
| Input Frequency | 50Hz / 60Hz | | |
| Efficiency (full load) | ≥ 85% | | ≥ 84% |
| Dimensions | 141.2 (L) x 60.5 (W) x 33.6 (H) mm | 141 (L) x 61 (W) x 34.5 (H) mm | 147 (L) x 65.5 (W) x 34.2 (H) mm |
| Certifications | CE, FCC,RoHs | CE, FCC, ERP, RoHs, REACH | CE, FCC, RoHs, KC, GS, RCM, UL, CB, PSE |

100W Chargers

| | |
|------------------------------|------------------------------------|
| Model | CPF101320 |
| Battery Voltage | 48V |
| DC Output / Charging Current | 54.6V Max. 2A |
| AC Input | 100V - 240V |
| Input Frequency | 50Hz / 60Hz |
| Efficiency (full load) | ≥ 88% |
| Dimensions | 172.2 (L) x 72.8 (W) x 36.5 (H) mm |
| Certifications | CE, FCC, ERP, RoHs, REACH |

130W Chargers

| | | |
|-----------------------------|------------------------------------|--------------------------------|
| Model | CPF131030 | CPN131030 |
| Battery Voltage | 36V | 36V |
| DC Output /Charging Current | 42V Max. 3A | 42V Max. 3A |
| AC Input | 100V - 240V | |
| Input Frequency | 50Hz / 60Hz | |
| Efficiency (full load) | ≥ 87% | ≥ 87% |
| Dimensions | 172.2 (L) x 72.8 (W) x 36.5 (H) mm | 174 (L) x 83 (W) x 36.3 (H) mm |
| Certifications | CE, FCC, ERP, RoHs, REACH | CE, CB, FCC |

160W Chargers

| Model | CMM161040 | CMM161330 | CPF161040 | CPF161330 |
|------------------------------|-------------------------------------|------------------|------------------------------|------------------|
| Battery Voltage | 36V | 48V | 36V | 48V |
| DC Output / Charging Current | 42V Max. 4A | 54.6V Max. 3A | 42V Max. 4A | 54.6V Max. 3A |
| AC Input | 100V - 240V | | | |
| Input Frequency | 50Hz / 60Hz | | | |
| Efficiency (full load) | ≥ 85% | | ≥ 85% | |
| Dimensions | 179 (L) x 80 (W) x 37.2 (H) mm | | 182 (L) x 79 (W) x 42 (H) mm | |
| Certifications | CE, FCC, RoHs, KC, RCM, GS, CB, PSE | | CE, FCC, ERP, RoHs, REACH | |

220W Chargers

| Model | CFF221050 | CFF221340 |
|------------------------------|----------------------------------|------------------|
| Battery Voltage | 36V | 48V |
| DC Output / Charging Current | 42V Max. 5A | 54.6V Max. 4A |
| AC Input | 100V - 240V | |
| Input Frequency | 50Hz / 60Hz | |
| Efficiency (Full load) | ≥ 88% | |
| Dimensions | 182 (L) x 86.5 (W) x 46.6 (H) mm | |
| Certifications | CE, UL, RoHs | |

250W Chargers

| Model | CMM251060 | CPN251060 |
|------------------------------|-----------------------------------|--------------------------------|
| Battery Voltage | 36V | 36V |
| DC Output / Charging Current | 42V Max. 6A | 42V Max. 6A |
| AC Input | 100V - 240V | 100V - 240V |
| Input Frequency | 50Hz / 60Hz | 50Hz - 60Hz |
| Efficiency (full load) | > 87% | ≥ 90% |
| Dimensions | 220 (L) x 105.8 (W) x 48.3 (H) mm | 196 (L) x 99 (W) x 40.5 (H) mm |
| Certifications | CE, FCC, RoHs | CE, CB, FCC |

300W Chargers

| Model | CPC301070 |
|------------------------------|--------------------------------|
| Battery Voltage | 36V |
| DC Output / Charging Current | 42V Max. 7A |
| AC Input | 100V - 240V |
| Input Frequency | 50Hz / 60Hz |
| Efficiency (full load) | > 84% |
| Dimensions | 185 (L) x 90 (W) x 42.5 (H) mm |
| Certifications | CE, FCC |

40W CHARGERS

Specifications

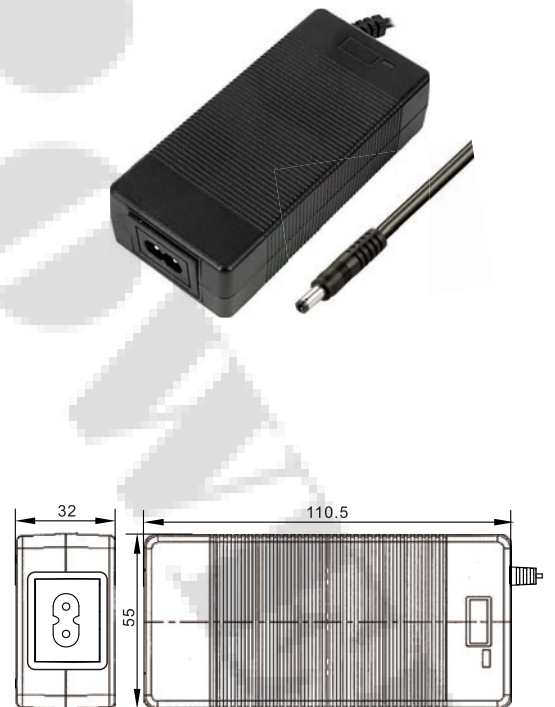


| | |
|------------------------------|------------------------------------|
| Model | CPF040715 |
| Battery Voltage | 24V |
| DC Output / Charging Current | 29.4V Max. 1.5A |
| AC Input | 100V - 240V |
| Input Frequency | 50Hz / 60Hz |
| Efficiency (full load) | ≥ 85% |
| Dimensions | 102.5 (L) x 50.5 (W) x 31.3 (H) mm |
| | Length of DC output: 1.0M |
| Weight | Approx. 186.8g |
| Cooling Mode | Fanless |
| Protection | Over Current Protection |
| | Short-circuit Protection |
| | Output Over-voltage Protection |
| | Output Inrush Current Protection |
| Function | Low Voltage Wake-up |
| Certifications | CE, FCC |
| Safety Standard | EN55014, EN60335, EN61000 |

60W CHARGERS

Specifications

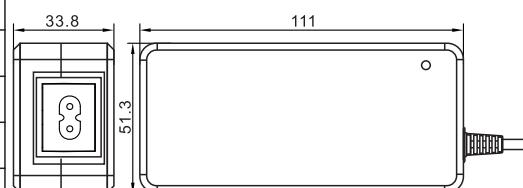
| | |
|-----------------------------|----------------------------------|
| Model | CPF061015 |
| Battery Voltage | 36V |
| DC Output /Charging Current | 42V Max. 1.5A |
| AC Input | 100V - 240V |
| Input Frequency | 50Hz / 60Hz |
| Efficiency (Full load) | ≥ 83% |
| Dimensions | 110.5 (L) x 55 (W) x 32 (H) mm |
| | Length of DC output: 1M |
| Weight | Approx. 222g |
| Cooling Mode | Fanless |
| Protection | Over Current Protection |
| | Short-circuit Protection |
| | Output Over-voltage Protection |
| | Output Inrush Current Protection |
| Function | Low Voltage Wake-up |
| Certifications | CE, FCC |
| Safety Standard | EN55014, EN60335, EN61000 |



60W CHARGERS

Specifications

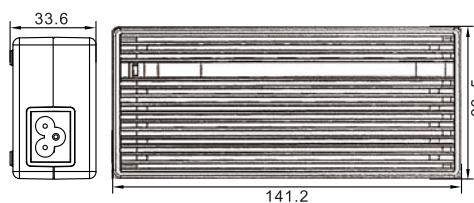
| | |
|-----------------------------|----------------------------------|
| Model | CTF060720 |
| Battery Voltage | 24V |
| DC Output /Charging Current | 29.4V Max. 2A |
| AC Input | 100V - 240V |
| Input Frequency | 50Hz / 60Hz |
| Efficiency (Full load) | ≥ 85% |
| Dimensions | 111 (L) x 51.3 (W) x 33.8 (H) mm |
| | Length of DC output: 1M |
| Weight | Approx. 242g |
| Cooling Mode | Fanless |
| Protection | Short-circuit Protection |
| Function | Low Voltage Wake-up |
| Certifications | CE, FCC, RoHs |
| Safety Standard | EN55014, EN60335, EN61000 |



80W CHARGERS

Specifications

| | |
|------------------------------|------------------------------------|
| Model | CTF081020 |
| Battery Voltage | 36V |
| DC Output / Charging Current | 42V Max. 2A |
| AC Input | 100V - 240V |
| Input Frequency | 50Hz - 60Hz |
| Efficiency (Full load) | ≥ 85% |
| Dimensions | 141.2 (L) x 60.5 (W) x 33.6 (H) mm |
| | Length of DC out cord: 1.2M |
| Weight | Approx. 316g |
| Cooling Mode | Fanless |
| Protection | Over Current Protection |
| | Short-circuit Protection |
| | Output Over-voltage Protection |
| | Output Inrush Current Protection |
| Function | Low Voltage Wake-up |
| Certifications | CE, FCC, RoHs |
| Safety Standard | EN55014, EN60335, EN61000 |



80W CHARGERS

Specifications

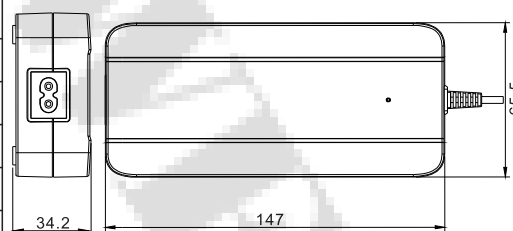


| | |
|------------------------------|---|
| Model | CPF081020 HOT |
| Battery Voltage | 36V |
| DC Output / Charging Current | 42V Max. 2A |
| AC Input | 100V - 240V |
| Input Frequency | 50Hz / 60Hz |
| Efficiency (Full load) | ≥ 85% |
| Dimensions | 141 (L) x 61 (W) x 34.5 (H) mm |
| | Length of DC output: 1.2M |
| Weight | Approx. 320g |
| Cooling Mode | Fanless |
| Protection | Over Current Protection |
| | Short-circuit Protection |
| | Output Over-voltage Protection |
| | Output Inrush Current Protection |
| Function | Low Voltage Wake-up |
| Certifications | CE, FCC, ERP, RoHs, REACH |
| Safety Standard | EN55014, EN60335, EN61000, FCC part15B |

80W CHARGERS

Specifications

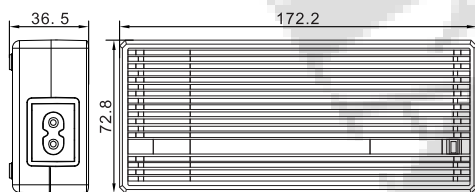
| | |
|------------------------------|---|
| Model | CMM081020 |
| Battery Voltage | 36V |
| DC Output / Charging Current | 42V Max. 2A |
| AC Input | 100V - 240V |
| Input Frequency | 50Hz / 60Hz |
| Efficiency (Full load) | ≥ 84% |
| Dimensions | 147(L) x 65.5 (W) x 34.2 (H) mm |
| | Length of DC output: 1.2M |
| Weight | Approx. 365g |
| Cooling Mode | Fanless |
| Protection | Over Current Protection |
| | Over Voltage Protection |
| | Over Temperature Protection |
| | Short-circuit Protection |
| | Timing Protection |
| | Reverse Polarity Protection |
| | Switching Off Protection |
| | Recharge Protection |
| Function | Pre-charge Function |
| Certifications | CE, FCC, RoHs, KC, GS, RCM, UL, CB, PSE |
| Safety Standard | EN55014, EN60335, EN61000, UI1310, FCC part15B |



100W CHARGERS

Specifications

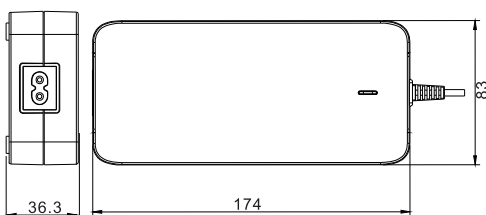
| CPF101320 NEW | Model | CPF131030 NEW |
|--|------------------------------|--|
| 48V | Battery Voltage | 36V |
| 54.6V Max. 2A | DC Output / Charging Current | 42V Max. 3A |
| 100V - 240V | AC Input | 100V - 240V |
| 50Hz / 60Hz | Input Frequency | 50Hz / 60Hz |
| ≥ 88% | Efficiency (Full load) | ≥ 87% |
| 172.2 (L) x 72.8 (W) x 36.5 (H) mm | Dimensions | 172.2 (L) x 72.8 (W) x 36.5 (H) mm |
| Length of DC output: 1.2M | | Length of DC output: 1.2M |
| Approx. 483g | Weight | Approx. 483g |
| Fanless | Cooling Mode | Fanless |
| Over Current Protection | Protection | Over Current Protection |
| Short-circuit Protection | | Short-circuit Protection |
| Output Over-voltage Protection | | Output Over-voltage Protection |
| Output Inrush Current Protection | | Output Inrush Current Protection |
| Low Voltage Wake-up | Function | Low Voltage Wake-up |
| CE, FCC, ERP, RoHs, REACH | Certifications | CE, FCC, ERP, RoHs, REACH |
| EN55014, EN60335, EN61000, FCC part15B | Safety Standard | EN55014, EN60335, EN61000, FCC part15B |



130W CHARGERS

Specifications

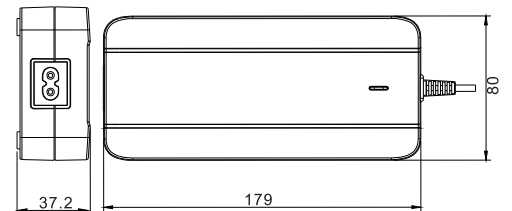
| Model | CPN131030 NEW |
|------------------------------|--|
| Battery Voltage | 36V |
| DC Output / Charging Current | 42V Max. 3A |
| AC Input | 100V - 240V |
| Input Frequency | 50Hz - 60Hz |
| Efficiency (Full load) | ≥ 87% |
| Dimensions | 174 (L) x 83 (W) x 36.3 (H) mm |
| | Length of DC out cord: 1.2M |
| Weight | Approx. 605g |
| Cooling Mode | Fanless |
| Protection | Over Current Protection |
| | Short-circuit Protection |
| | Output Over-voltage Protection |
| | Switching Off Protection |
| | Timing Protection |
| | Reverse Polarity Protection |
| | Over Temperature Protection |
| | Reverse current protection |
| Certifications | CE, CB, FCC |
| Safety Standard | EN55014, EN60335, EN61000, FCC part15B |



160W CHARGERS

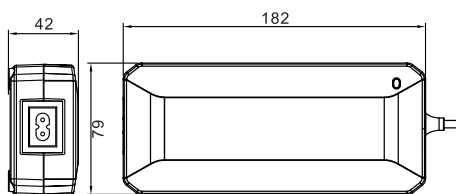
Specifications

| Model | CMM161040 | CMM161330 |
|------------------------------|--|------------------|
| Battery Voltage | 36V | 48V |
| DC Output / Charging Current | 42V Max. 4A | 54.6V Max. 3A |
| AC Input | 100V - 240V | |
| Input Frequency | 50Hz / 60Hz | |
| Efficiency (Full load) | ≥ 85% | |
| Dimensions | 179 (L) x 80 (W) x 37.2 (H) mm | |
| | Length of DC output: 1.2M | |
| Weight | Approx. 733g | |
| Cooling Mode | Fanless | |
| Protection | Over Current Protection | |
| | Over Voltage Protection | |
| | Over Temperature Protection | |
| | Short-circuit Protection | |
| | Timing Protection | |
| | Reverse Polarity Protection | |
| | Switching Off Protection | |
| | Recharge Protection | |
| Function | Pre-charge Function | |
| Certifications | CE, FCC, RoHs, KC, RCM, GS, CB, PSE | |
| Safety Standard | EN55014, EN60335, EN61000, FCC part15B | |



160W CHARGERS

Specifications

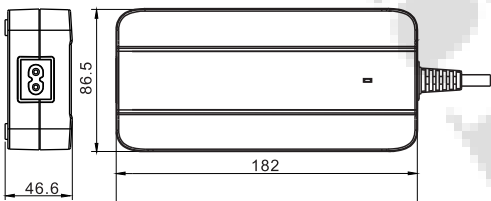


| Model | CPF161040 | CPF161330 |
|-----------------------------|----------------------------------|------------------|
| Battery Voltage | 36V | 48V |
| DC Output /Charging Current | 42V Max. 4A | 54.6V Max. 3A |
| AC Input | 100V - 240V | |
| Input Frequency | 50Hz / 60Hz | |
| Efficiency (Full load) | ≥ 85% | |
| Dimensions | 182 (L) x 79 (W) x 42 (H) mm | |
| | Length of DC output: 1.5M | |
| Weight | Approx. 680g | |
| Cooling Mode | Fanless | |
| Protection | Over Current Protection | |
| | Over Voltage Protection | |
| | Short-circuit Protection | |
| | Reverse Polarity Protection | |
| | Output Over-voltage Protection | |
| | Output Inrush Current Protection | |
| Function | Low Voltage Wake-up | |
| Certifications | CE, FCC, EPR, RoHs, REACH | |
| Safety Standard | EN55014, EN60335 | |

220W CHARGERS

Specifications

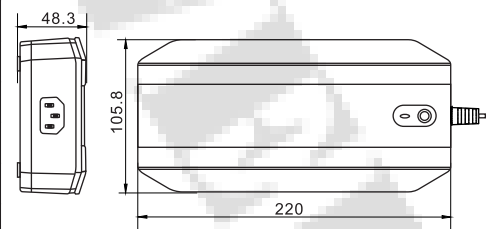
| Model | CFF221050 | CFF221340 |
|------------------------------|--|------------------|
| Battery Voltage | 36V | 48V |
| DC Output / Charging Current | 42V Max. 5A | 54.6V Max. 4A |
| AC Input | 100V - 240V | |
| Input Frequency | 50Hz / 60Hz | |
| Efficiency (Full load) | ≥ 88% | |
| Dimensions | 182 (L) x 86.5 (W) x 46.6 (H) mm | |
| | Length of DC output: 1M | |
| Weight | Approx. 687g | Approx. 700g |
| Cooling Mode | Fanless | |
| Protection | Over Current Protection | |
| | Short-circuit Protection | |
| Certifications | CE, UL, RoHs | |
| Safety Standard | EN55014, EN60335, EN61000, FCC part15B | |



250W CHARGERS

Specifications

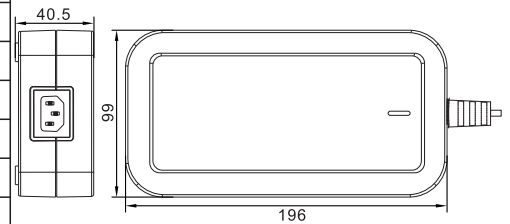
| Model | CMM251060 |
|------------------------------|--|
| Battery Voltage | 36V |
| DC Output / Charging Current | 42V Max. 6A |
| AC Input | 100V - 240V |
| Input Frequency | 50Hz / 60Hz |
| Efficiency (Full load) | > 87% |
| Dimensions | 220 (L) x 105.8 (W) x 48.3 (H) mm |
| | Length of DC output: 1.2M |
| Weight | Approx. 316g |
| Cooling Mode | Fanless |
| Protection | Over Current Protection |
| | Over Voltage Protection |
| | Over Temperature Protection |
| | Short-circuit Protection |
| | Timing Protection |
| | Reverse Polarity Protection |
| | Switching Off Protection |
| Function | Pre-charge Function |
| Certifications | CE, FCC, RoHs |
| Safety Standard | EN55014, EN60335, EN61000, FCC part15B |



250W CHARGERS

Specifications

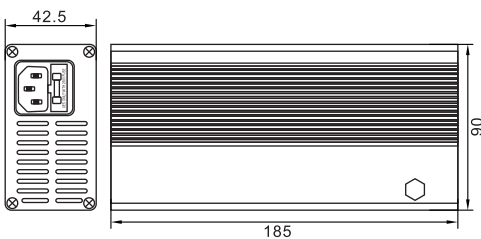
| | |
|------------------------------|--|
| Model | CPN251060 NEW |
| Battery Voltage | 36V |
| DC Output / Charging Current | 42V Max. 6A |
| AC Input | 100V - 240V |
| Input Frequency | 50Hz - 60Hz |
| Efficiency (Full load) | ≥ 90% |
| Dimensions | 196 (L) x 99 (W) x 40.5 (H) mm Length of DC out cord: 1.2M |
| Weight | Approx. 900g |
| Cooling Mode | Fanless |
| Protection | Over Current Protection |
| | Short-circuit Protection |
| | Output Over-voltage Protection |
| | Switching Off Protection |
| | Timing Protection |
| | Reverse Polarity Protection |
| | Over Temperature Protection |
| Reverse current protection | |
| Certifications | CE, CB, FCC |
| Safety Standard | EN55014, EN60335, EN61000, FCC part15B |



300W CHARGERS

Specifications

| | |
|------------------------------|--|
| Model | CPC301070 NEW |
| Battery Voltage | 36V |
| DC Output / Charging Current | 42V Max. 7A |
| AC Input | 100V - 240V |
| Input Frequency | 50Hz - 60Hz |
| Efficiency (Full load) | ≥ 84% |
| Dimensions | 185 (L) x 90 (W) x 42.5 (H) mm Length of DC out cord: 1M |
| Weight | Approx. 981g |
| Cooling Mode | Fanless |
| Protection | Over Current Protection |
| | Short-circuit Protection |
| | Output Over-voltage Protection |
| | Switching Off Protection |
| | Timing Protection |
| Certifications | CE, FCC |
| Safety Standard | EN55014, EN60335, EN61000 |



CHOOSE YOUR PLUG

AC PLUG for Battery Chargers :

Plug Type A :
North and Central America, Japan



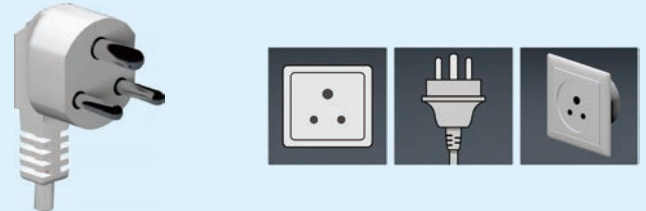
Plug Type B :
North and Central America, Japan



Plug Type C :
Europe, with the exception of the UK, Ireland, Cyprus and Malta



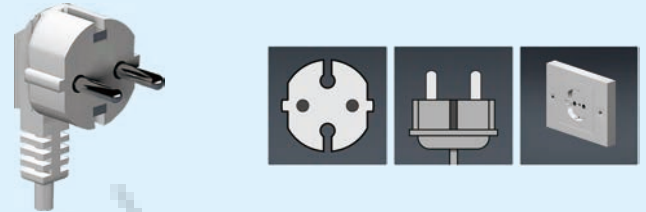
Plug Type D :
India, Sri Lanka, Nepal, Namibia



Plug Type E :
France, Belgium, Slovakia and Tunisia



Plug Type F :
Germany, Austria, the Netherlands and Spain



Plug Type K :
Denmark and Greenland



Plug Type L :
Italy



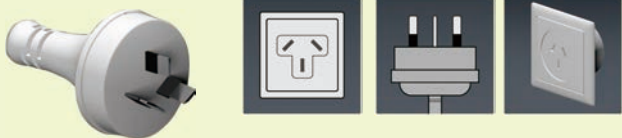
Plug Type J :
Switzerland and Lichtenstein



Plug Type G :
UK, Ireland, Cyprus, Malta, Malaysia, Singapore, Hong Kong



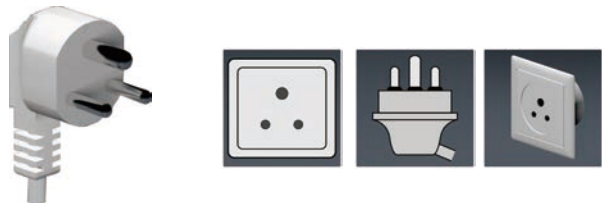
Plug Type I :
Australia, New Zealand, Papua New Guinea, Argentina, China



Plug Type H :
Israel



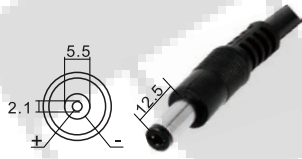
Plug Type M :
South Africa, Swaziland, Lesotho



Plug Type N :
Brazil



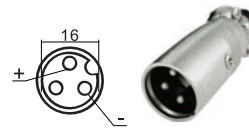
DC PLUG for Battery Chargers :



Z (DC2.1)
inner dia 2.1mm



Y (4-PIN PAJ)
outer dia 12.6mm



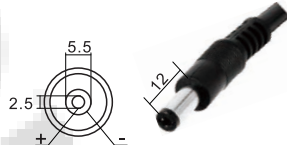
X (3-PIN XRL)
inner dia 16mm



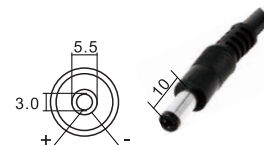
W (3-PIN PAJ)
outer dia 12.6mm



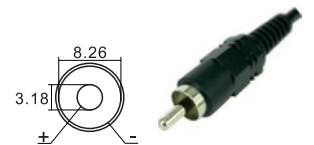
V (5-PIN PAJ)
outer dia 12.6mm



U (DC2.5)
inner dia 2.5mm



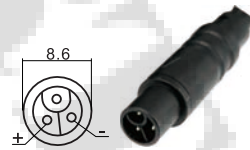
T (DC3.0)
inner dia 3.0mm



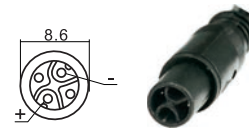
S (Lotus 1)
outer dim 8.26mm



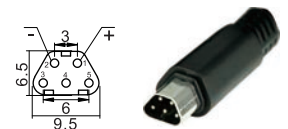
R (3-PIN CM)
outer dia 8.6mm



Q (3-PIN ST)
outer dia 8.6mm



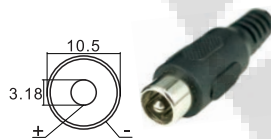
P (4-PIN ST)
outer dia 8.6mm



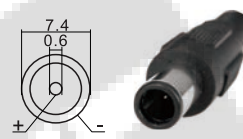
N (5-PIN)
outer dim 9.5(W) x 6.5(H)mm



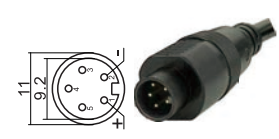
J (RCA 10.5)
outer dia 10.5mm



G (RCA 10.5)
outer dia 10.5mm



F (Dell)
outer dia 7.4mm



E (5-PIN)
outer dia 11mm 11mm

DC SOCKET OF Battery Packs :



Z (DC2.1)



Y (4-PIN PAJ)



X (3-PIN XRL)



W (3-PIN PAJ)



V (5-PIN PAJ)



U (DC2.5)



T (DC3.0)



S (Lotus 1)



R (3-PIN CM)



Q (3-PIN ST)



P (4-PIN ST)



N (5-PIN)



J (RCA 10.5)



G (RCA 10.5)



F (Dell)



E (5-PIN)

ELECTRIC WHEELCHAIR & SCOOTER BATTERY TYPES



MEET U NEEDS

**Electric Wheelchair &
Scooter Battery Types**

24V Lithium Battery System For Electric Wheelchairs



| | | |
|--------------------------|---------------------------|------------------|
| Model No. | YL-SYY2 | YL-WJG2 |
| Voltage | 24V | 24V |
| Configurations | 7S4P | 7S4P |
| Rate | 8.8Ah - 14.0Ah | 8.8Ah - 14.0Ah |
| Cont. Discharge Current* | 15A | 15A |
| Weight (kg) | 2.01 | 1.81 |
| Dimensions (mm) | 88 (L) x 87 (W) x 232 (H) | Ø 81.5 x 288 (H) |

* Maximum discharge current value is subject to change. Please refer to the respective specification sheet of different products for the most updated details.



For Wheelchairs

24V Lithium Battery System For Electric Wheelchairs



| | |
|--------------------------|----------------------------|
| Model No. | YL-CWF2 |
| Voltage | 24V |
| Configurations | 7S4P |
| Rate | 8.8Ah - 14.0Ah |
| Cont. Discharge Current* | 15A |
| Weight (kg) | 1.77 |
| Dimensions (mm) | 273 (L) x 148 (W) x 60 (H) |

* Maximum discharge current value is subject to change. Please refer to the respective specification sheet of different products for the most updated details.



For Wheelchairs

24V Lithium Battery System For Electric Wheelchairs & Scooters

華山一號 (YL-UHS1)

黃山一號 (YL-UWS1)

泰山一號 (YL-UTS1)

嵩山一號 (YL-USS1)



181(L) x 77(W) x 172(H) mm







222(L) x 115(W) x 183(H) mm



222(L) x 155(W) x 179(H) mm



230(L) x 171(W) x 199(H) mm

| Image | Product Code | Configurations | Cell Type | Voltage | Rate | Power | Max. Discharge Current* | | | Max. Charge Current |
|---|--------------------|------------------|-----------|---------|------|--------|-------------------------|-------------|---------|---------------------|
| | | | | | | | Cont. | Pulse (20s) | Protect | |
|  | YL-UHS1-S0708B.906 | NCR18650GA-7S8P | Li-ion | 24V | 28Ah | 672Wh | 20A | 35A | 40A | 10A |
|  | YL-UWS1-S0714B.906 | NCR18650GA-7S14P | Li-ion | 24V | 49Ah | 1176Wh | 40A | 50A | 58A | 10A |
|  | YL-UTS1-S0722B.906 | NCR18650GA-7S22P | Li-ion | 24V | 77Ah | 1848Wh | 40A | 50A | 130A | 10A |
|  | YL-USS1-S0722B.906 | NCR18650GA-7S22P | Li-ion | 24V | 77Ah | 1848Wh | 60A | 70A | 130A | 10A |

* Maximum discharge current value is subject to change.
Please refer to the respective specification sheet of different products for the most updated details.



EQUIPMENT

Equipment

MEET U NEEDS



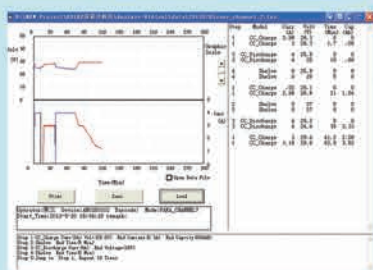
Environmental Rechargeable Battery Analyzer



AN16C05D15 (16 Channels)

- Charge/Discharge 8.4-60V battery pack
- High charge/discharge current (up to 15A per channel)
- Dimensions: 1180 (L) x 480 (W) x 1850 (H)mm

- ▶ Battery Analyzer with 16 channels, each channel can be independently controlled. All steps and data settings can be set separately for each channel. At the same time, multiple channels also can be set and controlled together to save time.
- ▶ Multiple functions: battery charging and discharging, battery capacity analyzing, battery aging testing.
- ▶ Multiple protections: overcurrent, overvoltage, overpower, reverse polarity of battery, reverse polarity of charger, etc., reducing the possibility of maintenance.
- ▶ With barcode scanning function, and associated with the data system, can achieve remote viewing results and complete tracking of products.



Test results could be:

- ▶ Displayed on screen
- ▶ Stored electronically
- ▶ Generated in graphic curves
- ▶ Printed as report
- ▶ Uploaded by PQTS system

▶ Designed for various rechargeable batteries such as Li-ion, Li-Fe, Li-Co, Li-Mn, Ni-MH, and Ni-CD, etc.



Scans barcode to upload / download analyzed results to / from database.

Specifications (Each Channel)

| | | Range | |
|-----------|---------------------------------|---------|------------------|
| Charge | Use Built-in Charger | Voltage | DC 8.4-60V |
| | | Current | 0.1 ~ 6A (Max.) |
| | | Power | 250W (Max.) |
| Discharge | Constant Current Discharge Mode | Voltage | DC 0-80V |
| | | Current | 0.1 ~ 15A (Max.) |
| | | Power | 500W (Max.) |

Energy-saving Rechargeable Battery Pack Analyzer

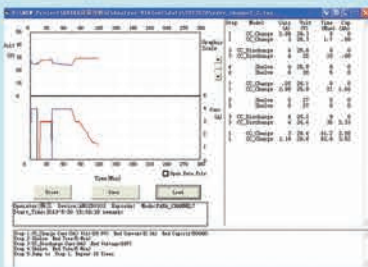


**AR16C15D15
AR16C30D30
(16 Channels)**



**AR24C15D15
AR24C30D30
(24 Channels)**

- Energy Conversion
- Charge/Discharge 5V-60V battery pack
- 16/24 channels for high-power batteries such as e-bike batteries, motorcycle batteries and energy storage batteries.
- Energy-saving Design: Discharging power can be used for recycle energy, it can easy to match for grid peak and valley timing, green power, cost efficiency.
- Dimensions: 1180 (L) x 480 (W) x 1840 (H)mm



Test results could be:

- ▶ Displayed on screen
- ▶ Stored electronically
- ▶ Generated in graphic curves
- ▶ Printed as report
- ▶ Uploaded by PQTS system

▶ Designed for various rechargeable batteries such as Li-ion, Li-Fe, Li-Co, Li-Mn, Ni-MH, and Ni-CD, etc.



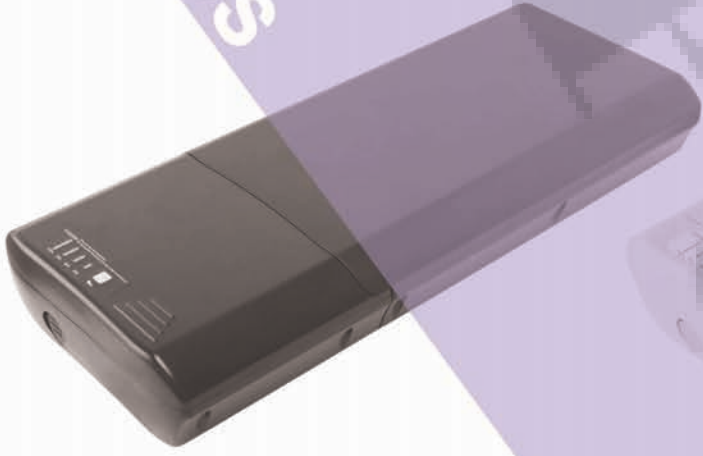
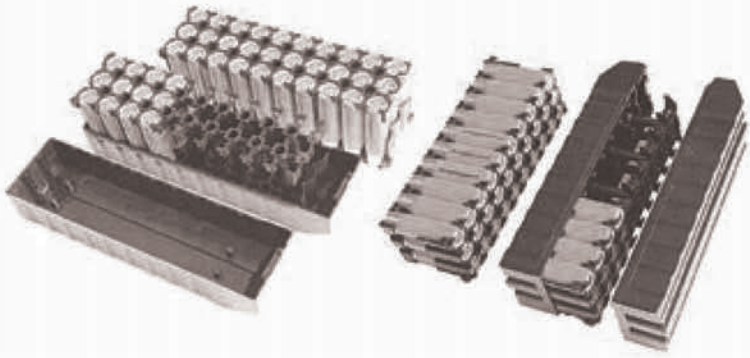
Scans barcode to upload / download analyzed results to / from database.

Specifications (Each Channel)

| | | Range | |
|-----------|---------------------------------|---------|--------------------|
| Charge | Use Built-in Charger | Voltage | DC 5-60V |
| | | Current | 1 ~ 15A/30A (Max.) |
| | | Power | 900-3600W (Max.) |
| Discharge | Constant Current Discharge Mode | Voltage | DC 5-60V |
| | | Current | 1 ~ 15A/30A (Max.) |
| | | Power | 900-3600W (Max.) |

**Battery Case
Accessories**

MEET U NEEDS



Battery Case Accessories

Battery Case Accessories - Cell Holders



18650 Cells



KL48H92-08



KLC99HU02-08



KL2430-30



KL2488-21



KL38H103N-03



KL3883-21



KL48H92-09



KLC1501-45



KL24S95-21



KLC96PS04-23

KLC96PS04-24

21700 Cells

New

KLC99UL30-03



KLC99UL30-04



KLC77CB01-05



PLA18003

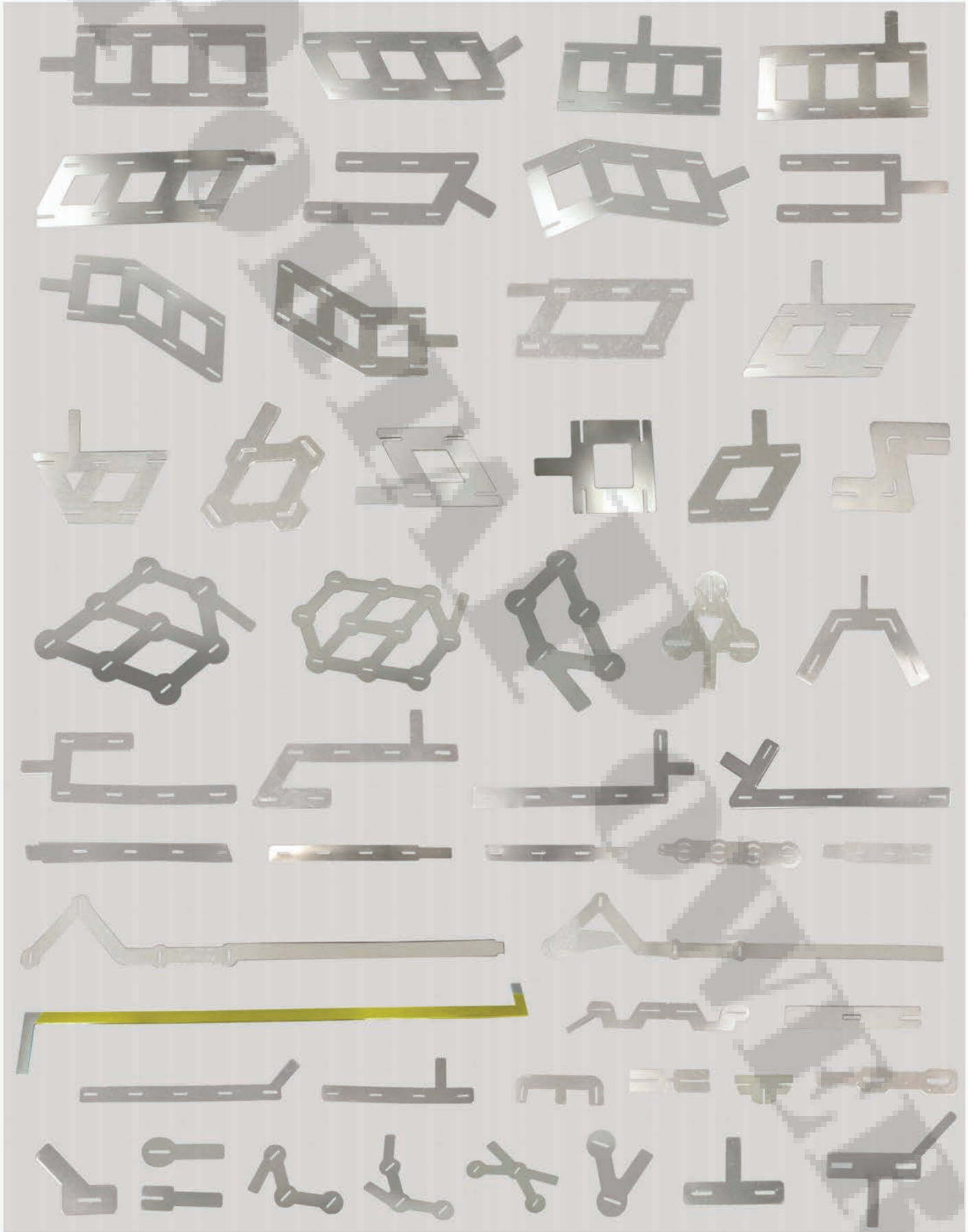


KL37H131-03

Battery Case Accessories - Nickel Plates



Over thousands nickel plates available



BATTERY CELLS

MEET U NEEDS

Battery Cells



JAPAN and KOREA Cells

We are the Authorized Assembler of **Panasonic**, **Samsung** and **LG** of high power consumption battery packs.

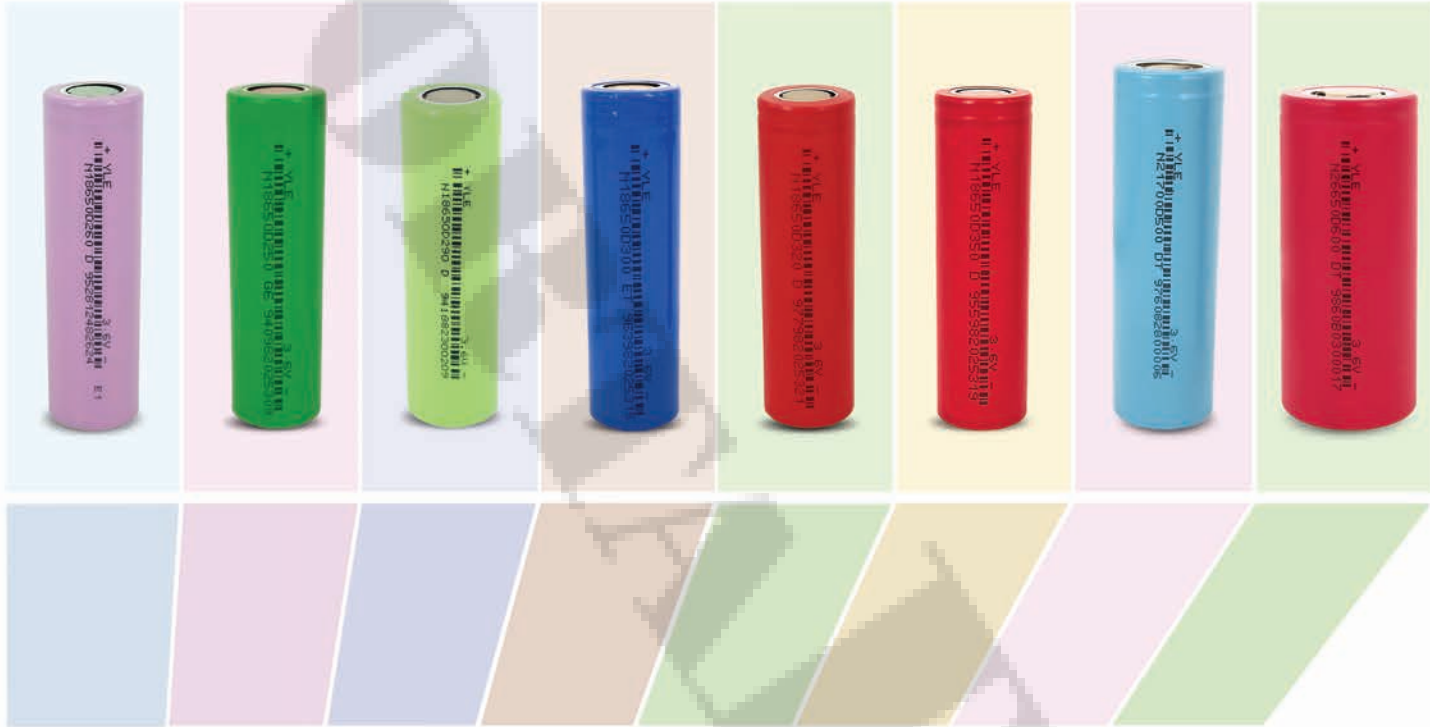


| Brand | | Panasonic | Panasonic | Panasonic | Panasonic | Samsung | Samsung | Samsung | LG |
|--------------------|------------------|-----------|-----------|------------|------------|--------------|--------------|--------------|-------------|
| Model | | UR18650AA | UR1865ZM2 | NCR18650BD | NCR18650GA | ICR18650-26J | INR18650-35E | INR21700-50E | INR21700M50 |
| Chemistry | | Li-ion | Li-ion | Li-ion | Li-ion | Li-ion | Li-ion | Li-ion | Li-ion |
| Nominal Voltage | | 3.6V | 3.6V | 3.6V | 3.6V | 3.7V | 3.6V | 3.6V | 3.69V |
| Minimum Rate | | 2150mAh | 2470mAh | 3030mAh | 3350mAh | 2550mAh | 3250mAh | 4750mAh | 4770mAh |
| Typical Rate | | 2250mAh | 2550mAh | 3180mAh | 3450mAh | 2600mAh | 3350mAh | 4900mAh | 4932mAh |
| Internal Impedance | | ≤ 100mΩ | < 40mΩ | < 35mΩ | ≤ 38mΩ | ≤ 100mΩ | ≤ 35mΩ | ≤ 15mΩ | ≤ 15mΩ |
| Charge | Method | CV/CC** | CV/CC** | CV/CC** | CV/CC** | CV/CC** | CV/CC** | CV/CC** | CV/CC** |
| | Voltage | 4.2V | 4.2V | 4.2V | 4.2V | 4.2V | 4.2V | 4.2V | 4.2V |
| | Standard Current | 1.50A | 1.235A | 0.909A | 1.67A | 1.3A | 1.7A | 2.45A | 1.4A |
| | Rapid Current | 2.15A | 1.235A | 0.909A | 1.67A | 2.6A | 2A | 4.9A | 3.36A |
| Discharge* | Cut-off Voltage | 2.75V | 2.5V | 2.5V | 2.5V | 2.75V | 2.65V | 2.5V | 2.5V |
| | Constant Current | 5A | 8A | 10A | 10A | 5.2A | 8A | 9.8A | 7.2A |
| Dimensions | Diameter | Ø18.3 mm | Ø18.3mm | Ø18.35 mm | Ø18.5 mm | Ø18.4mm | Ø18.55 mm | Ø21.1 mm | Ø21.44 mm |
| | Height | 64.9mm | 65.1mm | 65.05mm | 65.1mm | 65mm | 65.25mm | 70.15mm | 70.65mm |
| Approx. Weight | | 42.2g | 46.4g | 49.5g | 49.5g | 45g | 50g | 69g | 67.5g |

* Maximum discharge current value is subject to change. Please refer to the respective specification sheet of different products for the most updated details.
 ** CC/CV = Constant Current/Constant Voltage



YikLik Energy Limited (YLE), battery cell manufacturer, we have successfully produced highquality Li-ion cells of LiNMC, NCA and LiFePO4 chemistries. They are now being used in the making of battery packs for eBikes, eMotorcycles, Electric Wheelchairs, Electric Golf Carts, Car Starter Batteries, UPS Systems, Lightings, Household Appliances, Remote Control Toys, and many others.



| YLE | YLE | YLE | YLE | YLE | YLE | YLE | YLE | Brand |
|--------------|---------------|--------------|---------------|--------------|--------------|---------------|---------------|--------------------|
| N18650D260 D | N18650D250 G6 | N18650D290 D | N18650D300 ET | N18650D320 D | N18650D350 D | N21700D500 DT | N26650D600 DT | Model |
| NCM | NCA | NCA | NCA | NCA | NCA | NCA | NCA | Chemistry |
| 3.6V | 3.6V | 3.6V | 3.6V | 3.6V | 3.6V | 3.6V | 3.6V | Nominal Voltage |
| 2550mAh | 2450mAh | 2800mAh | 2900mAh | 3100mAh | 3350mAh | 4900mAh | 5900mAh | Minimum Rate |
| 2600mAh | 2500mAh | 2900mAh | 3000mAh | 3200mAh | 3450mAh | 5000mAh | 6000mAh | Typical Rate |
| ≤ 25mΩ | ≤ 25mΩ | ≤ 25mΩ | ≤ 20mΩ | ≤ 35mΩ | ≤ 35mΩ | ≤ 18mΩ | ≤ 18mΩ | Internal Impedance |
| CV/CC** | CV/CC** | CV/CC** | CV/CC** | CV/CC** | CV/CC** | CV/CC** | CV/CC** | Method |
| 4.2V | 4.2V | 4.2V | 4.2V | 4.2V | 4.2V | 3.65V | 4.2V | Voltage |
| 2.75V | 2.5V | 2.5V | 2.5V | 2.5V | 2.5V | 2.5V | 2.5V | Cut-Off Voltage |
| 10A | 20A | 10A | 15A | 10A | 10A | 10A | 10A | Constant Current |
| Ø18.4 mm | Ø18.4 mm | Ø18.4 mm | Ø18.4 mm | Ø18.4mm | Ø18.4 mm | Ø21.3 mm | Ø26.3 mm | Diameter |
| 65.2mm | 65.2mm | 65.2mm | 65.2mm | 65.2mm | 65.2mm | 71.7mm | 65.3mm | Height |
| 47g | 47g | 49g | 45g | 43g | 49g | 69g | 99g | Approx. Weight |

* Maximum discharge current value is subject to change. Please refer to the respective specification sheet of different products for the most updated details.

** CC/CV = Constant Current/Constant Voltage



YikLik Energy Limited (YLE), battery cell manufacturer, we have successfully produced highquality Li-ion cells of LiNMC, NCA and LiFePO4 chemistries. They are now being used in the making of battery packs for eBikes, eMotorcycles, Electric Wheelchairs, Electric Golf Carts, Car Starter Batteries, UPS Systems, Lightings, Household Appliances, Remote Control Toys, and many others.

18650系列 / For 18650:

| Model / 型號 | Nominal Voltage / 標準電壓 | Minimum Rate / 最小容量 | Typical Rate / 標稱容量 | Internal Impedance / 內阻 | Charge / 充電 | | Discharge* / 放電 | | Dimensions / 尺寸 | |
|----------------|------------------------|---------------------|---------------------|-------------------------|-------------|--------------|------------------------|-------------------------|-----------------|-------------|
| | | | | | Method / 方式 | Voltage / 電壓 | Cut-off Voltage / 截止電壓 | Constant Current / 持續電流 | Diameter / 直徑 | Height / 高度 |
| N18650A260 A | 3.6V | 2550mAh | 2600mAh | ≤ 48mΩ | CV/CC** | 4.2V | 2.75V | 5A | Ø18.4mm | 65.2mm |
| M18650D150GT | 3.6V | 1450mAh | 1500mAh | ≤ 18mΩ | CV/CC** | 4.2V | 2.75V | 20A | Ø18.5mm | 65.3mm |
| N18650D200 GT | 3.6V | 1950mAh | 2000mAh | ≤ 18mΩ | CV/CC** | 4.2V | 2.75V | 20A | Ø18.5mm | 65.3mm |
| NCR18650A300 A | 3.6V | 2950mAh | 3000mAh | ≤ 48mΩ | CV/CC** | 4.2V | 2.5V | 6A | Ø18.4mm | 65.2mm |
| N18650A335 A | 3.6V | 3250mAh | 3350mAh | ≤ 45mΩ | CV/CC** | 4.2V | 2.5V | 6A | Ø18.4mm | 65.2mm |
| N18650A320 A | 3.6V | 3100mAh | 3200mAh | ≤ 45mΩ | CV/CC** | 4.2V | 2.5V | 6A | Ø18.4mm | 65.2mm |
| N18650 26 D3 | 3.6V | 2550mAh | 2600mAh | ≤ 25mΩ | CV/CC** | 4.2V | 2.75V | 10A | Ø18.5mm | 65.3mm |
| N18650 34 D3 | 3.6V | 3250mAh | 3350mAh | ≤ 45mΩ | CV/CC** | 4.2V | 2.5V | 8A | Ø18.5mm | 65.3mm |
| N18650 29 D3 | 3.6V | 2800mAh | 2900mAh | ≤ 25mΩ | CV/CC** | 4.2V | 2.5V | 10A | Ø18.4mm | 65.2mm |
| N18650 32 D3 | 3.6V | 3100mAh | 3200mAh | ≤ 35mΩ | CV/CC** | 4.2V | 2.5V | 10A | Ø18.4mm | 65.2mm |

其他系列 / For Others:

| Model / 型號 | Nominal Voltage / 標準電壓 | Minimum Rate / 最小容量 | Typical Rate / 標稱容量 | Internal Impedance / 內阻 | Charge / 充電 | | Discharge* / 放電 | | Dimensions / 尺寸 | |
|---------------|------------------------|---------------------|---------------------|-------------------------|-------------|--------------|------------------------|-------------------------|-----------------|-------------|
| | | | | | Method / 方式 | Voltage / 電壓 | Cut-off Voltage / 截止電壓 | Constant Current / 持續電流 | Diameter / 直徑 | Height / 高度 |
| F14500A60 A | 3.2V | 570mAh | 600mAh | ≤ 80mΩ | CV/CC** | 3.65V | 2.0V | 1.2A | Ø14.3mm | 50.0mm |
| F16340A50 AJ | 3.2V | 470mAh | 500mAh | ≤ 100mΩ | CV/CC** | 3.65V | 2.0V | 1A | Ø16.5mm | 34.2mm |
| F26650D350 ET | 3.2V | 3450mAh | 3500mAh | ≤ 20mΩ | CV/CC** | 3.65V | 2.0V | 15A | Ø26.3mm | 65.3mm |
| F26650D450 D | 3.2V | 4300mAh | 4500mAh | ≤ 20mΩ | CV/CC** | 3.65V | 2.0V | 9A | Ø26.3mm | 65.3mm |
| N14430A75 | 3.6V | 710mAh | 750mAh | ≤ 85mΩ | CV/CC** | 4.2V | 2.75V | 2A | Ø14.3mm | 42.7mm |
| N14500A80 | 3.6V | 750mAh | 800mAh | ≤ 85mΩ | CV/CC** | 4.2V | 2.75V | 2A | Ø14.2mm | 50.0mm |
| N16300A65 | 3.6V | 620mAh | 650mAh | ≤ 85mΩ | CV/CC** | 4.2V | 2.75V | 1.3A | Ø16.5mm | 30.0mm |
| N16300D65 A | 3.6V | 620mAh | 650mAh | ≤ 75mΩ | CV/CC** | 4.2V | 2.75V | 5A | Ø16.5mm | 30.0mm |
| N18500A160 A | 3.6V | 1600mAh | 1700mAh | ≤ 60mΩ | CV/CC** | 4.2V | 2.75V | 3.4A | Ø18.4mm | 48.8mm |
| N18500A170 A | 3.6V | 1600mAh | 1700mAh | ≤ 60mΩ | CV/CC** | 4.2V | 2.75V | 3.4A | Ø18.4mm | 48.8mm |
| N26650A500 | 3.6V | 4800mAh | 5000mAh | ≤ 35mΩ | CV/CC** | 4.2V | 2.75V | 10A | Ø26.3mm | 65.2mm |
| N10380D40 A | 3.6V | 380mAh | 400mAh | ≤ 85mΩ | CV/CC** | 4.2V | 2.5V | 1A | Ø10.2mm | 37.7mm |
| N10380D40 AJ | 3.6V | 380mAh | 400mAh | ≤ 85mΩ | CV/CC** | 4.2V | 2.5V | 1A | Ø10.2mm | 38.2mm |
| N10430D45 A | 3.6V | 420mAh | 450mAh | ≤ 70mΩ | CV/CC** | 4.2V | 2.5V | 1A | Ø10.2mm | 42.4mm |
| N10430D45 AJ | 3.6V | 420mAh | 450mAh | ≤ 70mΩ | CV/CC** | 4.2V | 2.5V | 1A | Ø10.2mm | 43.2mm |
| N10500D50 AJ | 3.6V | 470mAh | 500mAh | ≤ 65mΩ | CV/CC** | 4.2V | 2.5V | 1A | Ø10.2mm | 50.2mm |
| N14250A52 A | 3.6V | 490mAh | 520mAh | ≤ 100mΩ | CV/CC** | 4.2V | 2.5V | 1A | Ø14.3mm | 25.2mm |
| N14430A92 A | 3.6V | 880mAh | 920mAh | ≤ 80mΩ | CV/CC** | 4.2V | 2.5V | 2A | Ø14.3mm | 42.7mm |
| N14430A105 A | 3.6V | 1000mAh | 1050mAh | ≤ 65mΩ | CV/CC** | 4.2V | 2.5V | 2A | Ø14.3mm | 42.7mm |
| N14450A105 A | 3.6V | 1000mAh | 1050mAh | ≤ 75mΩ | CV/CC** | 4.2V | 2.5V | 2A | Ø14.3mm | 45.0mm |
| N14500A105 A | 3.6V | 1000mAh | 1050mAh | ≤ 65mΩ | CV/CC** | 4.2V | 2.5V | 2A | Ø14.2mm | 49.0mm |
| N18350D110 DT | 3.6V | 1080mAh | 1100mAh | ≤ 26mΩ | CV/CC** | 4.2V | 2.5V | 10A | Ø18.5mm | 35.4mm |
| N18350A140 A | 3.6V | 1380mAh | 1400mAh | ≤ 30mΩ | CV/CC** | 4.2V | 2.5V | 3A | Ø18.5mm | 35.2mm |
| N18500A204 A | 3.6V | 1940mAh | 2040mAh | ≤ 60mΩ | CV/CC** | 4.2V | 2.5V | 4A | Ø18.4mm | 48.8mm |
| N18500A225 A | 3.6V | 2150mAh | 2250mAh | ≤ 60mΩ | CV/CC** | 4.2V | 2.5V | 4A | Ø18.4mm | 48.8mm |
| N26650D600 DT | 3.6V | 5900mAh | 6000mAh | ≤ 18mΩ | CV/CC** | 4.2V | 2.5V | 10A | Ø26.3mm | 65.3mm |

* Maximum discharge current value is subject to change. Please refer to the respective specification sheet for the most updated details.
 ** CC/CV = Constant Current/Constant Voltage
 * 最大放電電流值隨時可能更改。請參考各自的規格表的最新細節。
 ** CC/CV = 恆流恆壓 (Constant Current & Constant Voltage)

PORTAPOWER

MEET U NEEDS



WeChat



LINE



PortaPower.com

PORTAPOWER

2022 Products Catalog

HONGKONG HEADQUARTERS

PORTAPOWER (China) Ltd.
Flat 1003, 10/F., Hopeful Factory Centre,
10-16 Wo Shing St., Fotan, N.T., Hong Kong
Tel: +852 2687 6323
Fax: +852 2687 6312
Website: <https://www.portapower.com>

TAIWAN FACTORY

PORTAPOWER Electronics Ltd.
1/F, No.79, Ln.271, Liancun Rd., Fengyuan Dist.,
Taichung City, Taiwan(R.O.C), 420
Tel: +886-4 2539 3829
Fax: +886-4 2539 3829
Website: <https://www.portapower.com.tw>

GUANGDONG FACTORY

Guangzhou Zhanhui Electronics Co., Ltd.
No.320, Shinan Road, Guantan, Dongchong
Nansha Dist., Guangzhou, China, 511453
Tel: +86 020 6680 4228
Fax: +86 020 6680 4229
Website: <https://www.portapower.com>

SERVICE CENTER

PORTAPOWER Service Center
Alt-Kaulsdorf 18
12621 Berlin, Germany
Tel: +49 (0)30 60985356
Website: <https://www.erider.com>

HUNAN FACTORY

Changde Yik Lik Energy Ltd.
Anxiang Country Industrial Area,
Changde City, Hunan, China, 415600
Tel: +86 0736 433 8338
Fax: +86 0736 433 8333
Website: <https://www.yiklik.com>